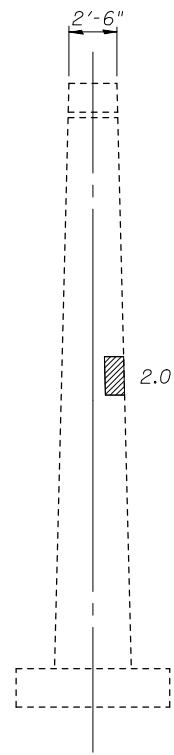
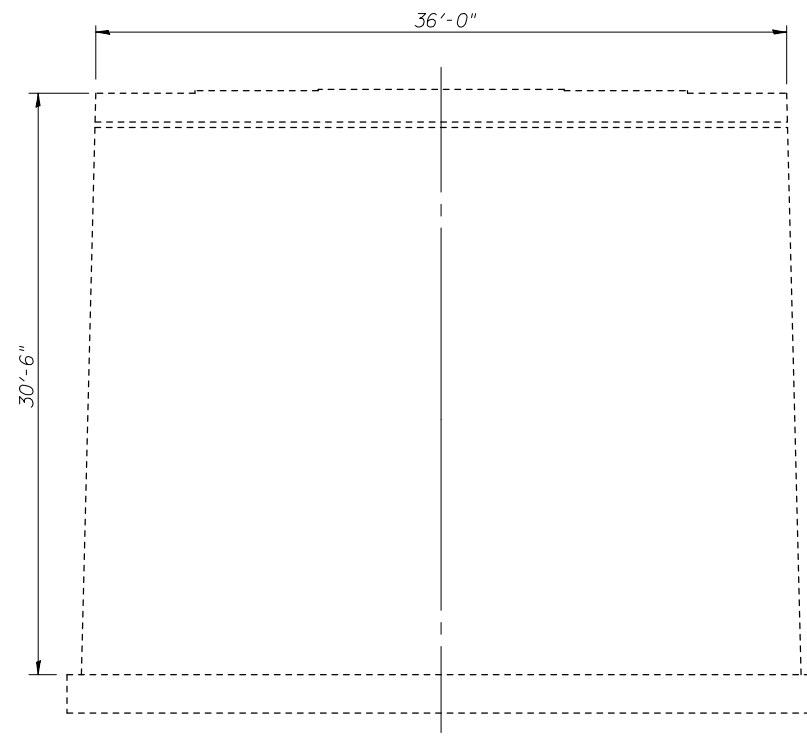


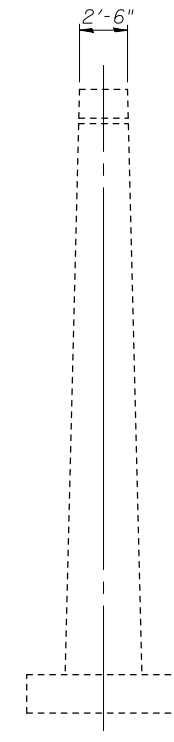
WEST FACE PIER 3



SOUTH FACE

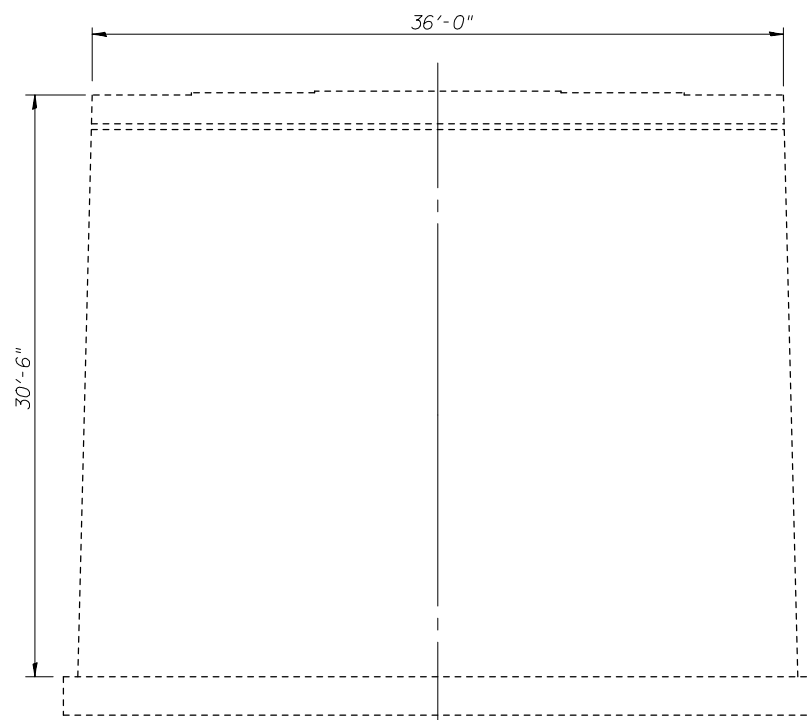


EAST FACE PIER 3

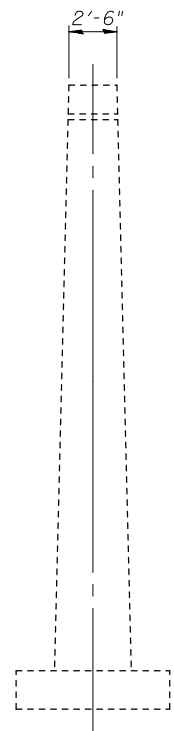


NORTH FACE

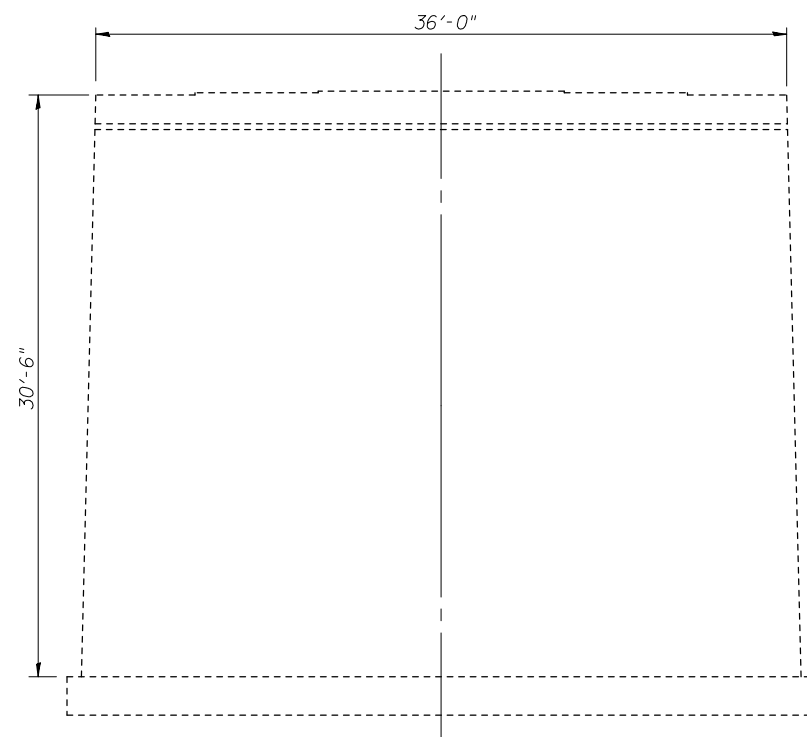
S.N. 018-0049



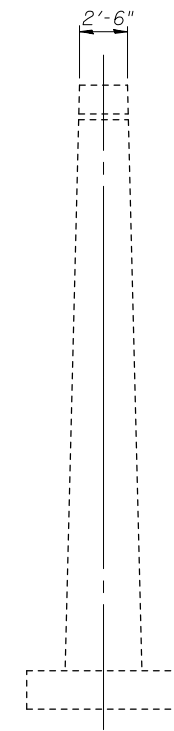
WEST FACE PIER 3



SOUTH FACE




EAST FACE PIER 3



NORTH FACE

S.N. 018-0050

LEGEND

 Structural Repair of Concrete
(Depth Equal To or Less Than 5")

**TWO PIERS
BILL OF MATERIAL**

ITEM	UNIT	TOTAL
Structural Repair of Concrete (Depth Equal to or Less Than 5")	Sq. Ft.	3.0

BLANK, WESSELINK, COOK & ASSOCIATES DECATUR, ILLINOIS ENGINEERS - CONSULTANTS DESIGN FIRM NO. 184000894

FILE NAME =	USER NAME =	DESIGNED <i>PBB</i>	REVISED -
	CHECKED <i>MCB</i>	REVISIONS -	
	PLOT SCALE =	DRAWN <i>MLO</i>	REVISED -
	PLOT DATE =	CHECKED <i>MCB</i>	REVISED -

**STATE OF ILLINOIS
DEPARTMENT OF TRANSPORTATION**

**CONCRETE REPAIR DETAILS (PIER 3)
STRUCTURE NO. 018-0049(W.B.) & 0050(E.B.)**

SHEET NO.29 OF 42 SHEETS

F.A.I. RTE.	SECTION	COUNTY	TOTAL SHEETS	SHEET NO.
70	(18-47-VBK (18-47B, 18-47HB)/BR	CUMBERLAND	147	121
ILLINOIS FED. AID PROJECT			CONTRACT NO. 74466	