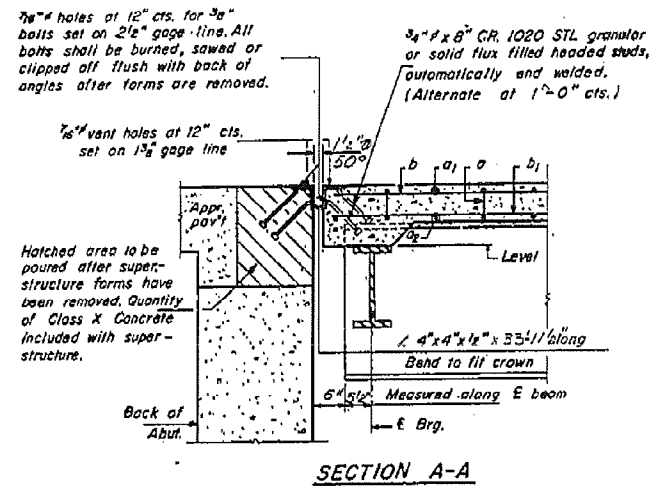
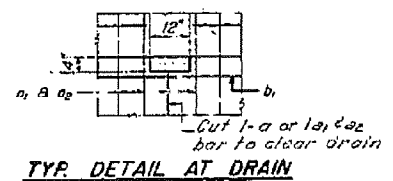


STATE OF ILLINOIS
DEPARTMENT OF PUBLIC WORKS & BUILDINGS
DIVISION OF HIGHWAYS

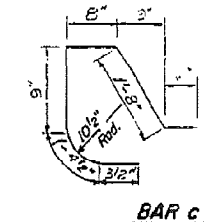
PROJECT NO.	SECTION	SHEET NO.	TOTAL SHEETS	SHEET NO.
10-47	18	CUMBERLAND 29	9	19
SHEET NO. 5				19 SHEETS



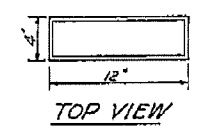
SECTION A-A



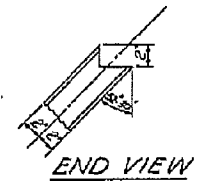
TYP. DETAIL AT DRAIN



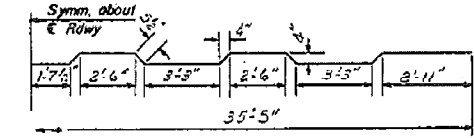
BAR c



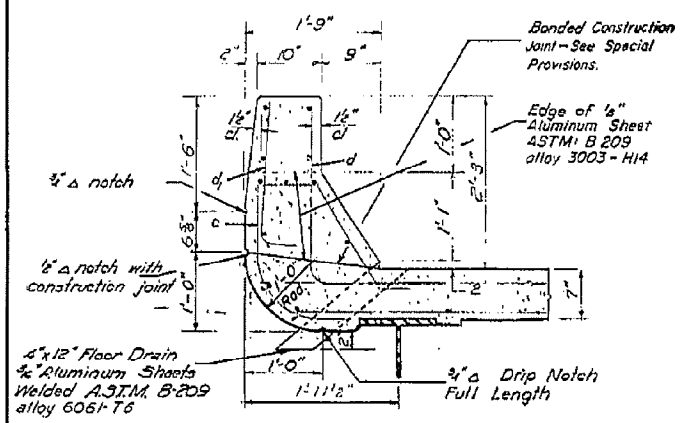
TOP VIEW



END VIEW

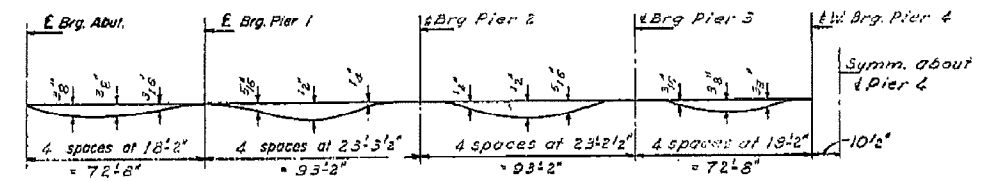


BAR a



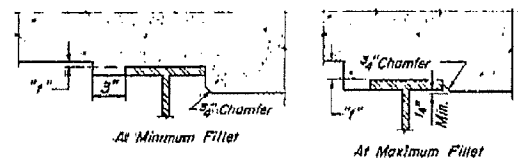
CURB DETAIL

Cost of aluminum sheets and drains shall be incidental to Class X Concrete.



DEAD LOAD DEFLECTION DIAGRAM

(Includes weight of concrete only)
Note: The above deflections are not to be used in the field if the engineer is working from the grade elevations adjusted for dead load deflections as shown on sheets 2 & 3.



FILLET HEIGHTS

To determine "y": After all structural steel has been erected, elevations of the top flanges of the beams shall be taken at intervals shown on sheet 313 and subtracted from the "Theoretical Grade Elevations Adjusted for Dead Load Deflection" shown on sheet 2 & 3 minus slab thickness, equals the fillet heights "y" above top flange of beams.

TWO BRIDGES
BILL OF MATERIAL

Bar	No.	Size	Length	Shape
a	1000	#6	36'-8"	~
a1	996	#6	33'-6"	~
a2	1004	#6	33'-8"	~
b1	3120	#5	34'-6"	~
b2	420	#6	31'-0"	~
c	1884	#4	6'-3"	~
Reinforcement Bars		Lbs.	299,370	
Structural Steel		Lbs.	168,696	
Class X Concrete		Cu.Yd.	1162.4	

* Weight of bearing assemblies with lead plates, and anchor bolts are included as structural steel.
Est. Wt = 35,690 Lbs.
See sheet #4 for Superstructure Plan and Cross Section.
See Sh #9 for parapet wall quantities.

SUPERSTRUCTURE
SECTIONS & DETAILS
NORTH & SOUTH BRIDGES
F.A.I. RT. 70 SEC. 18-47B
CUMBERLAND COUNTY
STATION 158+31

DESIGNED	J.H. Culp	EXAMINED	JAN. 12 1966
CHECKED	J. Engler	PASSED	
DRAWN	J. Hassler	APPROVED	
CHECKED	S.E.		

Rev. 9-5-67 JWC G.M. safety curb added. Class X Concrete changed from 1376.5 cu.yds. to 1162.4 cu.yds. Structural steel changed from 1685970 lbs. to 1686960 lbs. Reinforcement bars changed from 299,370 lbs. to 299,370 lbs.

BLANK, WESSELINK, COOK & ASSOCIATES

DECATUR, ILLINOIS ENGINEERS - CONSULTANTS DESIGN FIRM NO. 184000894

STATE OF ILLINOIS
DEPARTMENT OF TRANSPORTATION

EXISTING BRIDGE PLANS
STRUCTURE NO. 018-0049(W.B.) & 0050(E.B.)

F.A.I. RTE.	SECTION	COUNTY	TOTAL SHEETS	SHEET NO.
70	(18-47-VBK (18-47B, 18-47HB)BR	CUMBERLAND	147	129
				CONTRACT NO. 74466

SHEET NO. 37 OF 42 SHEETS

ILLINOIS FED. AID PROJECT