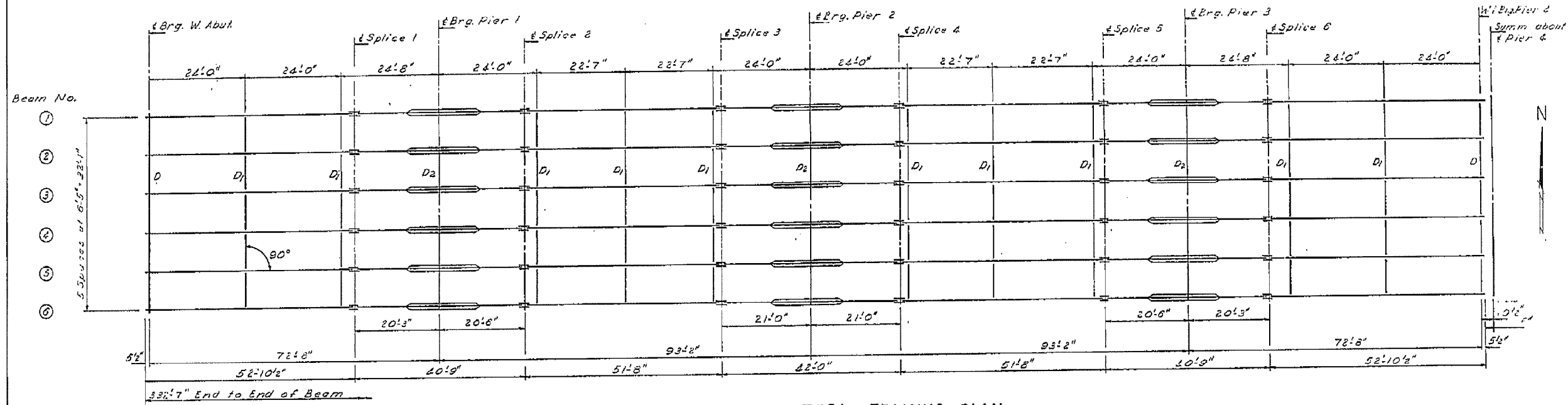


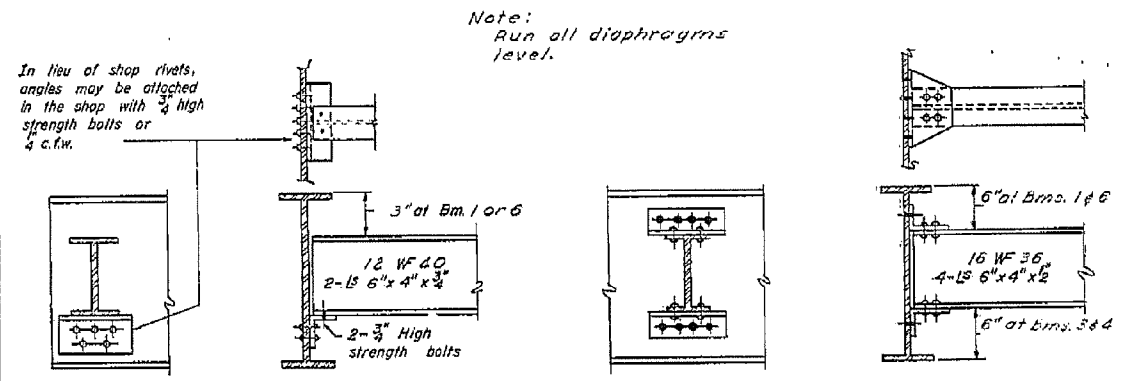
STATE OF ILLINOIS
DEPARTMENT OF PUBLIC WORKS & BUILDINGS
DIVISION OF HIGHWAYS

ROUTE NO.	SECTION	COUNTY	TOTAL SHEETS	SHEET NO.
70	18-47	CUMBERLAND	29	10

SHEET NO. 6
19 SHEETS



STRUCTURAL STEEL FRAMING PLAN
(All Beams 36 WF 170)

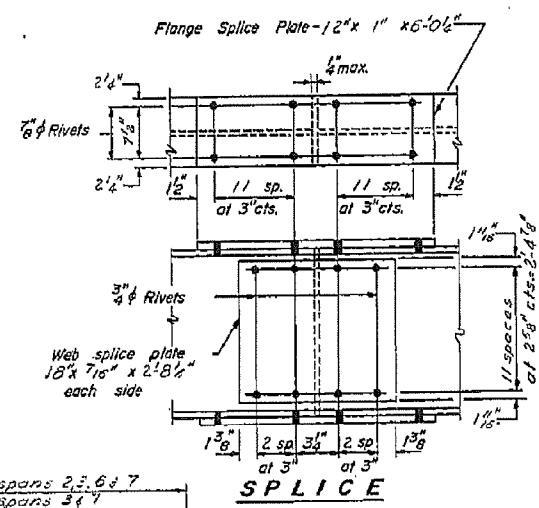


DIAPHRAGM D
20 Required

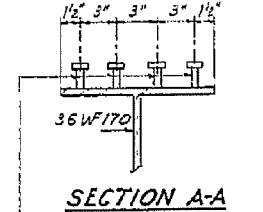
DIAPHRAGM D1 & D2

200 Ls. Req'd	50 Ds. Req'd	10'0" spans 2, 3, 6 & 7
Pier 1, 3, 5 & 7	5'0" spans 1, 4, 5 & 8	10'0" spans 2 & 3
Piers 2 & 6	15'0" spans 2 & 6	10'0" spans 3 & 7
Piers 1, 3, 5 & 7	1'-6"	7'-6"
Piers 2 & 6	1'-6"	5'-6"
		5'-6"
		1'-6"

COVER PLATE



SPLICE

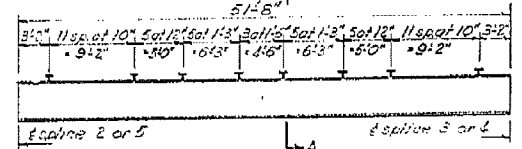


SECTION A-A

TOP OF WF ELEVATIONS *

Location	Bm. 1 or 6	Bm. 2 or 5	Bm. 3 or 4
Brig. W. Abut.	544.49	544.62	544.69
Splice 1	543.95	542.08	544.15
Brig. Pier 1	543.78	543.91	543.98
Splice 2	543.20	543.73	543.80
Splice 3	543.13	543.26	543.33
Brig. Pier 2	542.94	543.07	543.14
Splice 4	542.78	542.88	542.95
Splice 5	542.29	542.42	542.49
Brig. Pier 3	542.10	542.23	542.30
Splice 6	541.91	542.04	542.11
W. Brig. Pier 4	541.39	541.62	541.69
E. Brig. Pier 4	541.69	542.02	541.69
Splice 7	540.95	541.08	541.15
Brig. Pier 5	540.78	540.91	540.98
Splice 8	540.60	540.73	540.80
Splice 9	540.13	540.26	540.33
Brig. Pier 6	539.94	540.07	540.14
Splice 10	539.75	539.88	539.95
Splice 11	539.29	539.42	539.49
Brig. Pier 7	539.10	539.23	539.30
Splice 12	538.91	539.04	539.11
Brig. E. Abut.	538.59	538.72	538.79

* For fabrication only



PARTIAL ELEVATION

STRUCTURAL STEEL
NORTH & SOUTH BRIDGES
F.A.I.R.T. 70 SEC. 18-47B
CUMBERLAND COUNTY
STATION 158+31

DESIGNED	J. W. Schneider	EXAMINED	JAN 12 1966
CHECKED	J. W. Schneider	PASSED	
DRAWN	J. W. Schneider	APPROVED	
CHECKED	J. W. Schneider		

I-1-C 4-1-65

BLANK, WESSELINK, COOK & ASSOCIATES DECATUR, ILLINOIS ENGINEERS - CONSULTANTS DESIGN FIRM NO. 184000894

FILE NAME =	USER NAME =	DESIGNED PBB	REVISOR -	STATE OF ILLINOIS DEPARTMENT OF TRANSPORTATION	EXISTING BRIDGE PLANS STRUCTURE NO. 018-0049(W.B.) & 0050(E.B.)	F.A.I.R.T. 70	SECTION (18-47-VBK (18-47B, 18-47HB)BR	COUNTY CUMBERLAND	TOTAL SHEETS 147	SHEET NO. 130
		CHECKED MCB	REVISOR -					CONTRACT NO. 74466		
		DRAWN MLO	REVISOR -							
		CHECKED MCB	REVISOR -							

SHEET NO. 38 OF 42 SHEETS

ILLINOIS FED. AID PROJECT