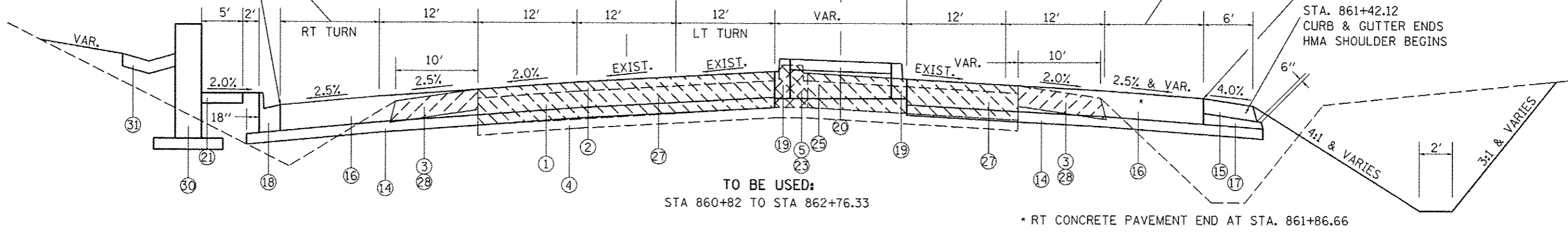
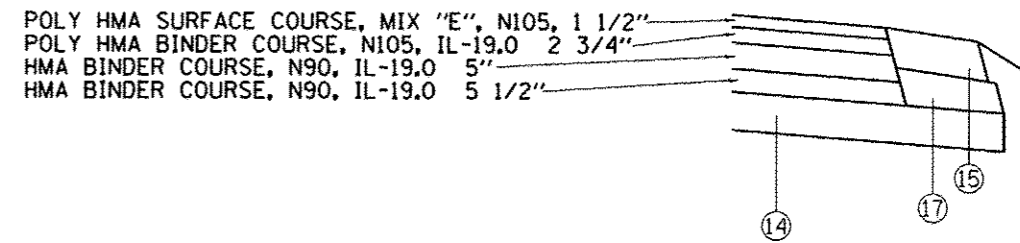


VAR. STA. 860+82 TO STA. 861+24.12  
12' STA. 861+24.12 TO STA. 862+76.33

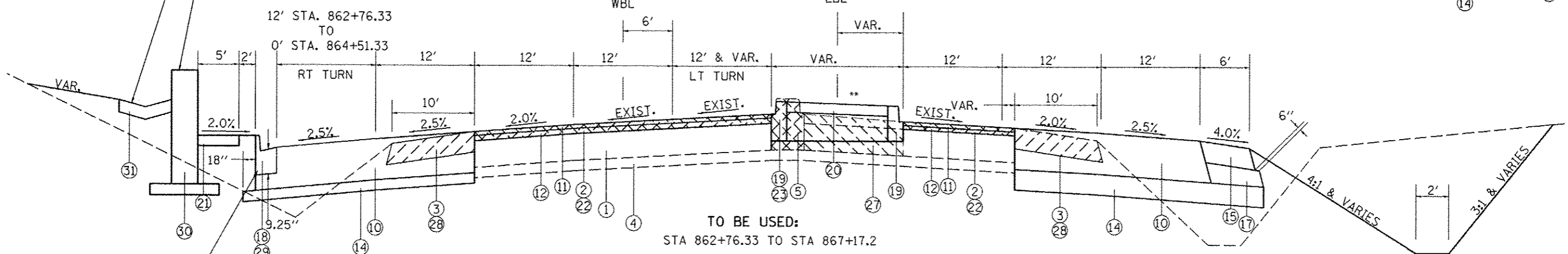
SEE GEOMETRIC SHEETS  
FOR EDGE OF PAVEMENT ELEVATIONS



PROP. HMA FULL DEPTH PAVEMENT DETAIL



GUTTER ENDS STA. 865+00  
RETAINING WALL ENDS STA. 864+50



TRANSITION GUTTER FLAG  
FROM 2' STA. 864+07.65  
TO 5' STA. 864+51.33

\*\*\*\*HMA BINDER 5.5" UNDER COMBINATION CURB & GUTTER  
IS INCLUDED IN THE COST OF HMA FULL DEPTH PAVEMENT.

- 1 EXIST. PCC PAVEMENT 10"
- 2 EXIST. HMA RESURFACING 3 1/4"
- 3 EXIST. HMA SHOULDER 8"
- 4 EXIST. SUB-BASE GRANULAR MATERIAL
- 5 EXIST. MEDIAN
- 6 EXIST. COMBINATION CURB & GUTTER
- 7 EXIST. SIDEWALK
- 8 EXIST. PAVEMENT
- 9 EXIST. MEDIAN SURFACE

- 10 PROP. HMA FULL DEPTH PAVEMENT 14 3/4"
- 11 PROP. HMA POLY SURFACE COURSE, MIX "E", NI05, 1 1/2"
- 12 PROP. HMA POLY BINDER COURSE, IL-19.0, NI05, 1 3/4" & VARIABLE
- 13 CONCRETE MEDIAN, TYPE SB-6.06
- 14 PROP. SUB-BASE GRANULAR MATERIAL, TYPE A 8"
- 15 PROP. HMA SHOULDER 8"
- 16 PROP. PORTLAND CEMENT PAVEMENT 10", JOINTED
- 17 PROP. SUB-BASE GRANULAR MATERIAL, TYPE C
- 18 PROP. COMBINATION CONCRETE CURB AND GUTTER, TYPE B-6.24
- 19 PROP. COMBINATION CONCRETE CURB AND GUTTER, TYPE B-6.06

- 20 PROP. CONCRETE MEDIAN SURFACE, 4"
- 21 PROP. PORTLAND CEMENT CONCRETE SIDEWALK, 5"
- 22 PROP. HMA SURFACE REMOVAL 3 1/4"
- 23 PROP. MEDIAN REMOVAL
- 24 PROP. CC&G REMOVAL
- 25 PROP. AGGREGATE FILL (INCIDENTAL)
- 26 PROP. SIDEWALK REMOVAL
- 27 PROP. PAVEMENT REMOVAL
- 28 PROP. PAVED SHOULDER REMOVAL
- 29 PROP. COMBINATION CONCRETE CURB AND GUTTER, SPECIAL
- 30 PROP. SEGMENTAL BLOCK RETAINING WALL
- 31 PROP. CONCRETE GUTTER, TYPE A