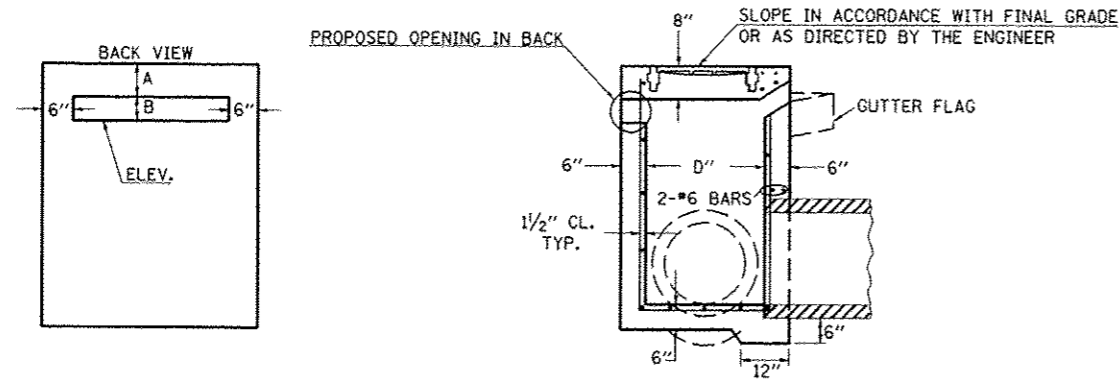


**DETAILS OF INLET SPECIAL, NO. 3, TYPE 3,  
WITH OPENING BEHIND CURB**

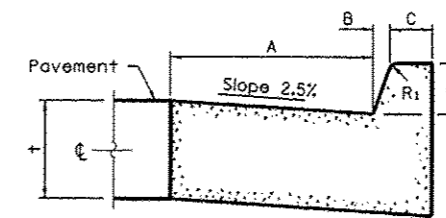


**TO BE USED:**  
LT. STA. 871+51.35

**SECTION**

STA.	DISTANCE		ELEV.
	A	B	
871+51.35	7"	7"	447.96

**DETAILS OF COMBINATION CONCRETE  
CURB AND GUTTER, TYPE B (SPECIAL)**



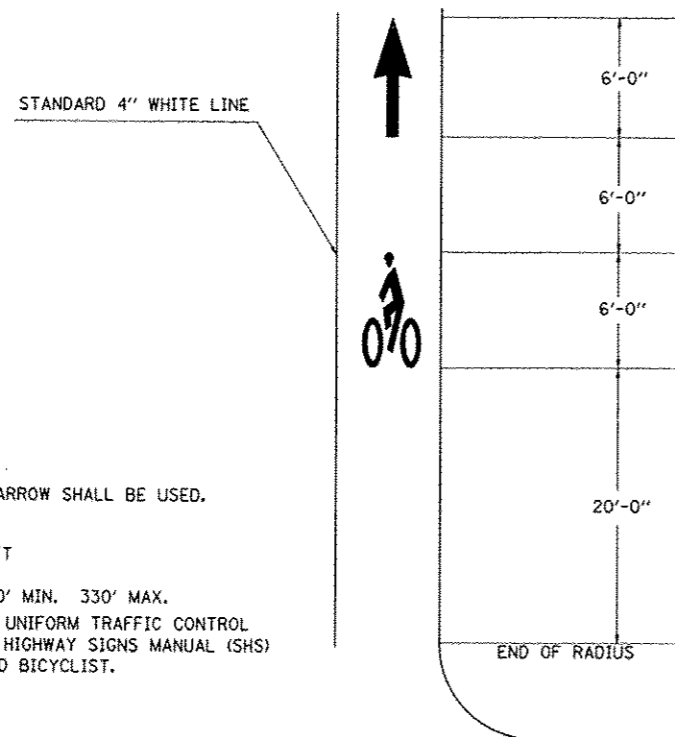
**BARRIER CURB**

**NOTES:**

USE STANDARD 606001 FOR COMBINATION CONCRETE CURB AND GUTTER, TYPE B (SPECIAL), BUT USE THE DIMENSIONS SHOWN IN THIS DETAIL.

TYPE	A	B	C	D	R <sub>1</sub>
SPECIAL	60"	1"	6"	6"	1"

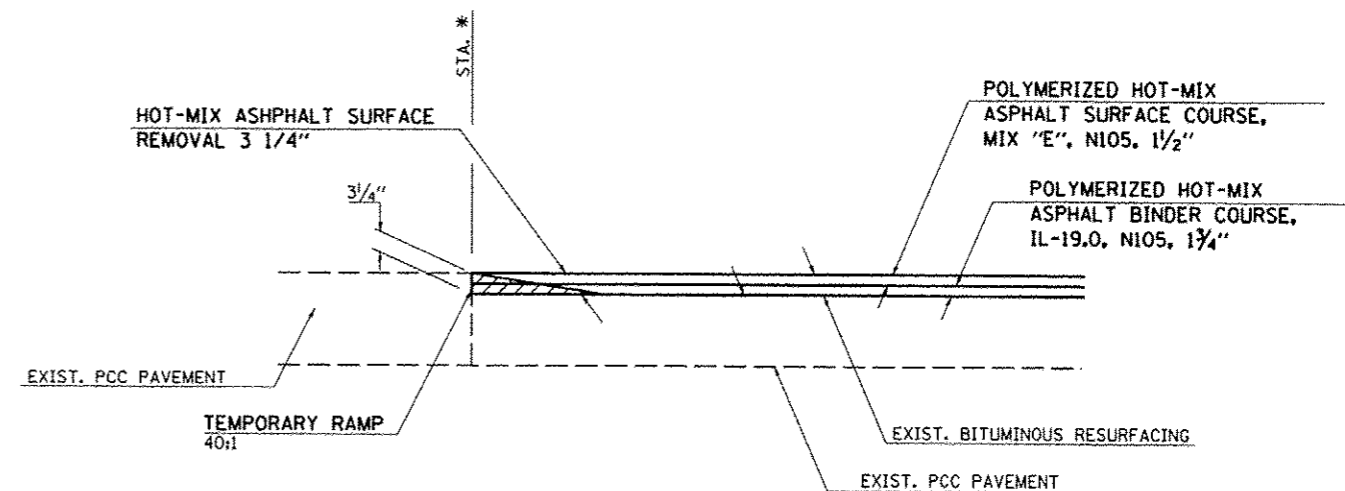
**HELMETED BICYCLIST SYMBOL**



**NOTES:**

THE STANDARD SMALL THROUGH ARROW SHALL BE USED.  
ARROW = 6.5 SO FT  
HELMETED BICYCLIST = 7.0 SO FT  
SPACING BETWEEN SYMBOLS: 120' MIN. 330' MAX.  
REFER TO THE FHWA MANUAL ON UNIFORM TRAFFIC CONTROL DEVICES (MUTCD) AND STANDARD HIGHWAY SIGNS MANUAL (SHS) FOR DIMENSIONS OF THE HELMETED BICYCLIST.

**BUTT-JOINT**



**\* TO BE USED:**

STA. 861+86.7 EBL  
STA. 883+25 EBL  
STA. 862+76.3 WBL  
STA. 883.25 WBL