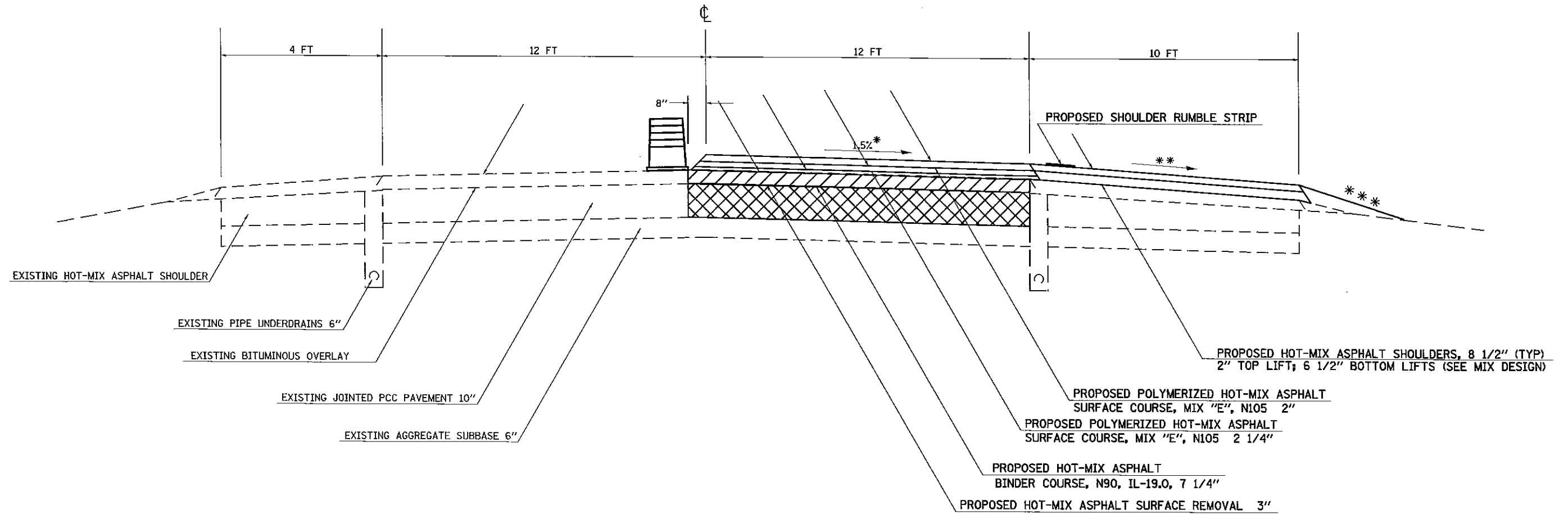


STAGING TYPICAL SECTION B

MILL AND RUBBLIZE DRIVING LANE CONSTRUCTION

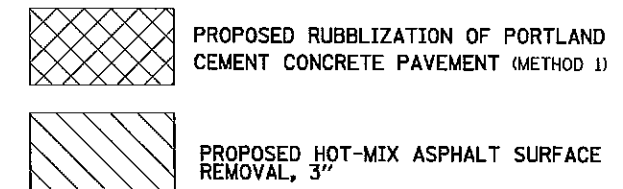
UNION & PULASKI COUNTY
NORTHBOUND LANES ONLY
FAI RTE 57
(LOOKING IN DIRECTION OF TRAVEL)



NOTES:

- * 1.5% PAVEMENT CROSS SLOPE TO BE ACHIEVED WITH HOT-MIX ASPHALT BINDER COURSE
- ** MATCH EXISTING SHOULDER SLOPE UP TO 6% MAXIMUM.
- *** GRADING AND SHAPING SHOULDERS, 4:1 OR FLATTER (SEE SPECIAL PROVISION)

TO BE USED:
STA 66+00 TO STA 3079+00
STA 3073+00 TO STA 2941+25
SEE BUTT JOINT DETAIL AND PLAN
SHEETS FOR TAPER AREAS TO BE EXCLUDED



FILE NAME =	USER NAME = Stoverpg	DESIGNED -	REVISED -	STATE OF ILLINOIS DEPARTMENT OF TRANSPORTATION	STAGING TYPICAL SECTION	F.A.I. RTE.	SECTION	COUNTY	TOTAL SHEETS	SHEET NO.	
cd:\pvc\work\pindot\stoverpg\d0289709\782	ah1b-tyj-schldgn	DRAWN -	REVISED -			57	(77-1,91-4,91-4-1,91-31R-1)	UNION/PULASKI	39	14	
		CHECKED -	REVISED -			CONTRACT NO. 78289					
		DATE -	REVISED -			ILLINOIS FED. AID PROJECT					