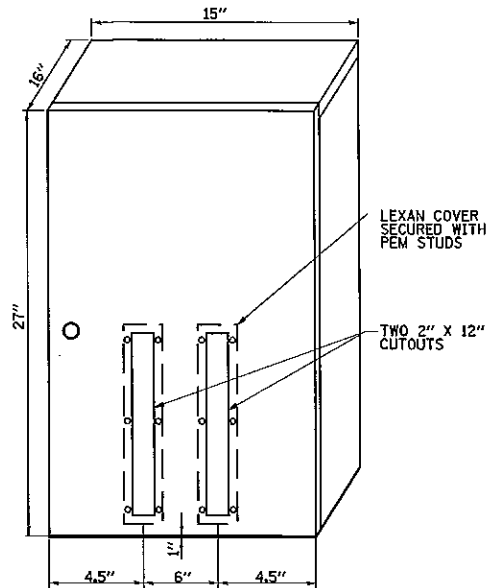
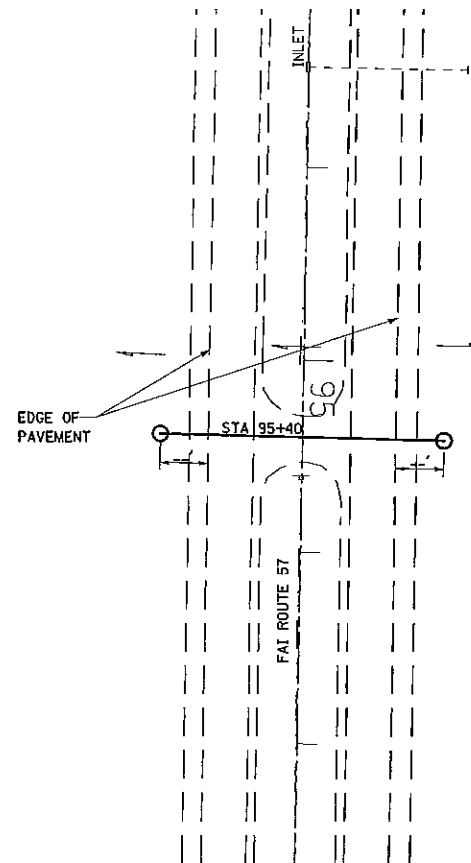


**TRAFFIC COUNTER  
SCHEDULE OF QUANTITIES  
(FOR INFORMATION ONLY)**

| ITEM                           | UNIT | QUANTITY |
|--------------------------------|------|----------|
| LOCATION 1                     |      |          |
| TRAFFIC DATA COLLECTION SYSTEM | EACH | 1        |
| WIRELESS MODEM                 | EACH | 1        |
| DUAL BAND ANTENNA              | EACH | 1        |
| CABINET (LARGE STYLE)          | EACH | 2        |
| SOLAR PANEL 30 W 12 VDC        | EACH | 1        |
| SOLAR PANEL 20 W 12 VDC        | EACH | 1        |
| 3' ANTENNA CABLES              | EACH | 1        |

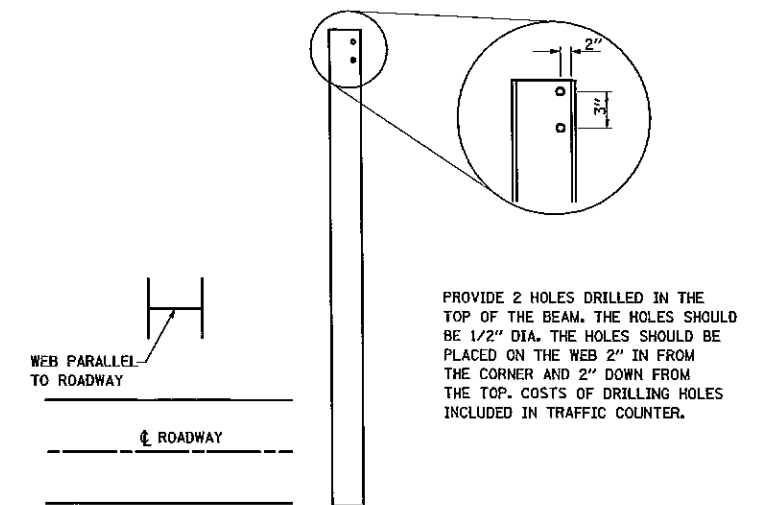


**CABINET DETAIL**

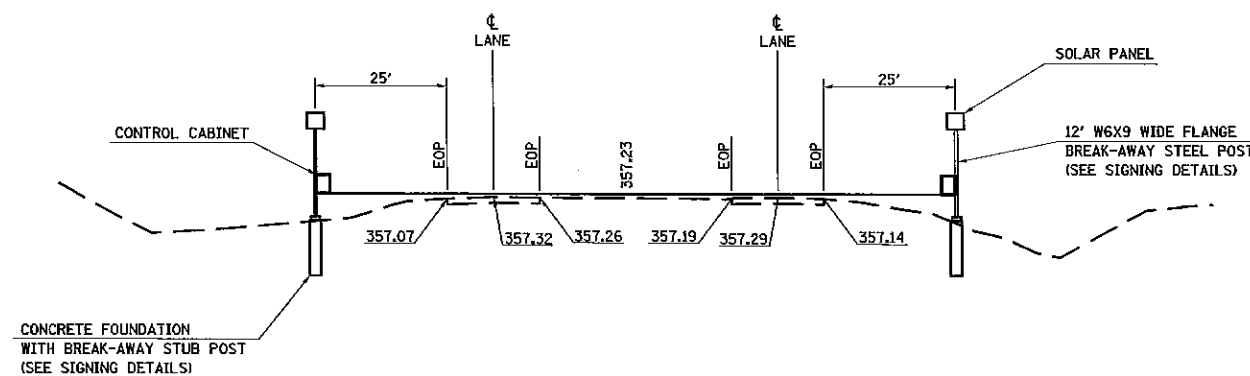


**COUNTER LOCATIONS**

LOCATION  
STA 95+40



**STANDARD 6" I-BEAM 12' TALL**



**COUNTER LAYOUT  
TYPICAL APPLICATION**

**NOTES:**

1. SYSTEM CONSISTS OF TWO STANDARD 6" I-BEAM SIGNPOSTS WITH CONCRETE FOUNDATION AND A FLANGE WITH BREAKAWAY BOLTS.
2. THE I-BEAMS ARE 12' LONG AND DRILLED ACCORDING TO THE DRAWING TO ACCOMMODATE A PIPE TO ALLOW THE MOUNTING OF A SOLAR PANEL.
3. THE WEB OF THE I-BEAM IS PLACED PARALLEL TO THE LANES.
4. THE POST MUST BE PLACED DIRECTLY ACROSS FROM EACH OTHER PERPENDICULAR TO THE LANES.
5. TWO POSTS ARE REQUIRED FOR EACH LOCATION.
6. THE CABINETS ARE ATTACHED TO THE I-BEAMS USING GALVANIZED J-BOLTS.
7. IDEALLY THE CABINET HEIGHT SHOULD BE APPROX. 5' AND BE ABLE TO VIEW THE OTHER CABINET WITH THE LINE OF SIGHT BEING ABOUT 4" ABOVE THE SURFACE OF THE ROAD.
8. THE IDOT OFFICE OF PLANNING AND PROGRAMMING DATA MANAGEMENT LAB (ATTN: RAMON TAYLOR 217-782-2065) SHALL BE NOTIFIED TWO WEEKS PRIOR TO THE LAYOUT AND PLACEMENT OF THE POST FOUNDATIONS.

|   |                              |            |           |
|---|------------------------------|------------|-----------|
| FILE NAME =   | USER NAME = Stoverpg         | DESIGNED - | REVISED - |
| c:\pwwork\pwwork\stoverpg\0209709\78289\shlt-detailed.dgn |                              | DRAWN -    | REVISED - |
|   | PLOT SCALE = 1/88.0000 1/16" | CHECKED -  | REVISED - |
| #MODELNAME#   | PLOT DATE = 8/16/2012        | DATE -     | REVISED - |

**STATE OF ILLINOIS  
DEPARTMENT OF TRANSPORTATION**

|              |  |                             |  |                          |
|--------------|--|-----------------------------|--|--------------------------|
| SCALE: _____ |  | SHEET _____ OF _____ SHEETS |  | STA. _____ TO STA. _____ |
|--------------|--|-----------------------------|--|--------------------------|

|                    |                                    |                      |                           |              |
|--------------------|------------------------------------|----------------------|---------------------------|--------------|
| F.A.I. RTE. 57     | SECTION (77-1,91-4,91-4-1,91-3)R-1 | COUNTY UNION/PULASKI | TOTAL SHEETS 39           | SHEET NO. 38 |
| CONTRACT NO. 78289 |                                    |                      | ILLINOIS FED. AID PROJECT |              |