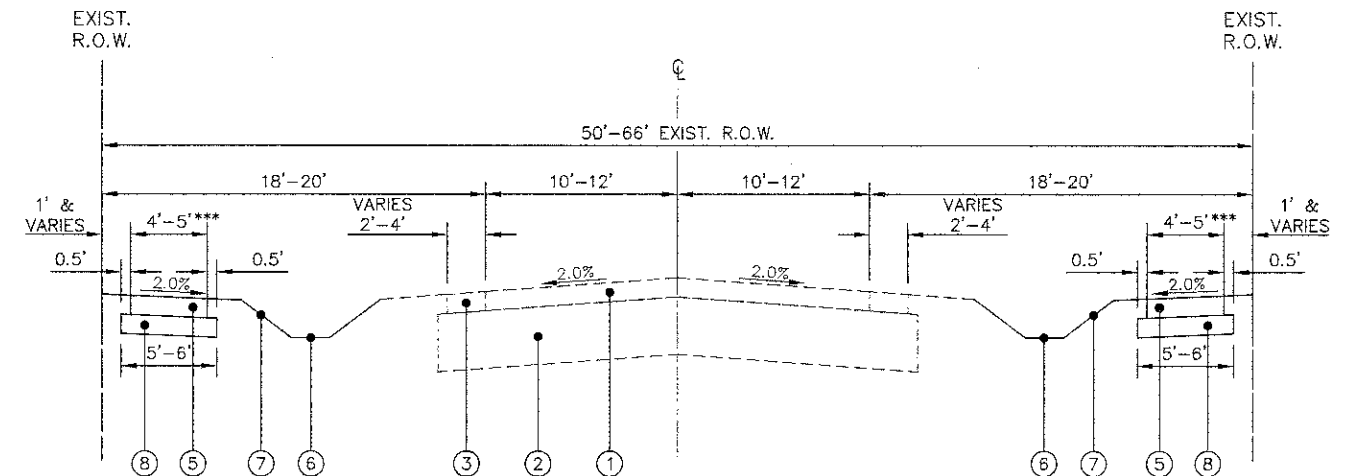


EXISTING TYPICAL CROSS-SECTION

FROM STA 10+00 TO 15+00, MORGAN STREET *
 FROM STA 20+00 TO 29+97, ADRIAN STREET *
 FROM STA 30+00 TO 39+83, STATE STREET **
 FROM STA 48+00 TO 58+35, MILL STREET
 FROM STA 60+00 TO 66+59, DOLPH STREET **
 FROM STA 70+00 TO 76+57, ORANGE STREET **
 FROM STA 80+00 TO 89+61, W. WASHINGTON STREET **
 FROM STA 90+00 TO 92+00, E. WASHINGTON STREET **
 N.T.S.



PROPOSED TYPICAL CROSS-SECTION

FROM STA 10+00 TO 15+00, MORGAN STREET *
 FROM STA 20+00 TO 29+97, ADRIAN STREET *
 FROM STA 30+00 TO 39+83, STATE STREET **
 FROM STA 48+00 TO 58+35, MILL STREET
 FROM STA 60+00 TO 66+59, DOLPH STREET **
 FROM STA 70+00 TO 76+57, ORANGE STREET **
 FROM STA 80+00 TO 89+61, W. WASHINGTON STREET **
 FROM STA 90+00 TO 92+00, E. WASHINGTON STREET **
 N.T.S.

LEGEND	
① EXISTING 4" ASPHALT PAVEMENT	⑥ GRADING AND SHAPING DITCHES (AS NEEDED)
② EXISTING 12" AGGREGATE BASE COURSE	⑦ CLASS 1 SEEDING, FERTILIZER AND MULCH
③ EXISTING AGGREGATE SHOULDER	⑧ AGGREGATE BASE COURSE, TYPE B, 4"
④ EARTH EXCAVATION	
⑤ PCC SIDEWALK 5 INCH (6" @ DRIVEWAYS)	

* SIDEWALK ON LEFT ONLY
 ** SIDEWALK ON RIGHT ONLY
 *** SEE PLAN SHEETS FOR WIDTHS

HOT-MIX ASPHALT MIXTURE REQUIREMENTS TABLE

OPERATION	MIXTURE TYPE	PG GRADE	DENSITY TEST METHOD	AIR VOIDS @ N ₆₀
DRIVEWAY RECONSTRUCTION	HMA DRIVEWAY (3") HMA SURFACE COURSE, MIX "C", N30 (IL-0.5MM), 3"	PG58-22	GROWTH CURVE	3% @ 30 Gyr.
PATCHING	CLASS D PATCHES, 4"			
	HMA SURFACE COURSE, MIX "D", N50 (IL-0.5MM), 1 1/2" HMA BINDER COURSE, IL-19.0, N50, 2 1/2"	PG64-22 PG64-22	GROWTH CURVE GROWTH CURVE	4% @ 50 Gyr. 4% @ 50 Gyr.

Plotted: July 31, 2012 @ 3:25 PM By: Larry Nelson - Job: 04_Typ_Secs_22x34

COPYRIGHT © 2012 ENGINEERING ENTERPRISES, INC.

Engineering Enterprises, Inc.
 CONSULTING ENGINEERS
 52 Wheeler Road
 Sugar Grove, Illinois 60554
 630.466.6700 / www.eeiweb.com

UNITED CITY OF YORKVILLE
 800 GAME FARM ROAD
 YORKVILLE, IL 60560

NO.	DATE	REVISIONS
1	7/31/12	REVISED PER IDOT COMMENTS

SAFE ROUTES TO SCHOOL
 UNITED CITY OF YORKVILLE
 KENDALL COUNTY, ILLINOIS

TYPICAL SECTIONS

DATE:	MAY 2012
PROJECT NO:	Y01114
FILE:	Y01114-CVR
SHEET	4 OF 12

PATH: C:\SHPROJ\Y01114-CVR\DWG\DWG_FINAL_ENC\Y01114-CVR