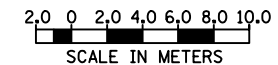
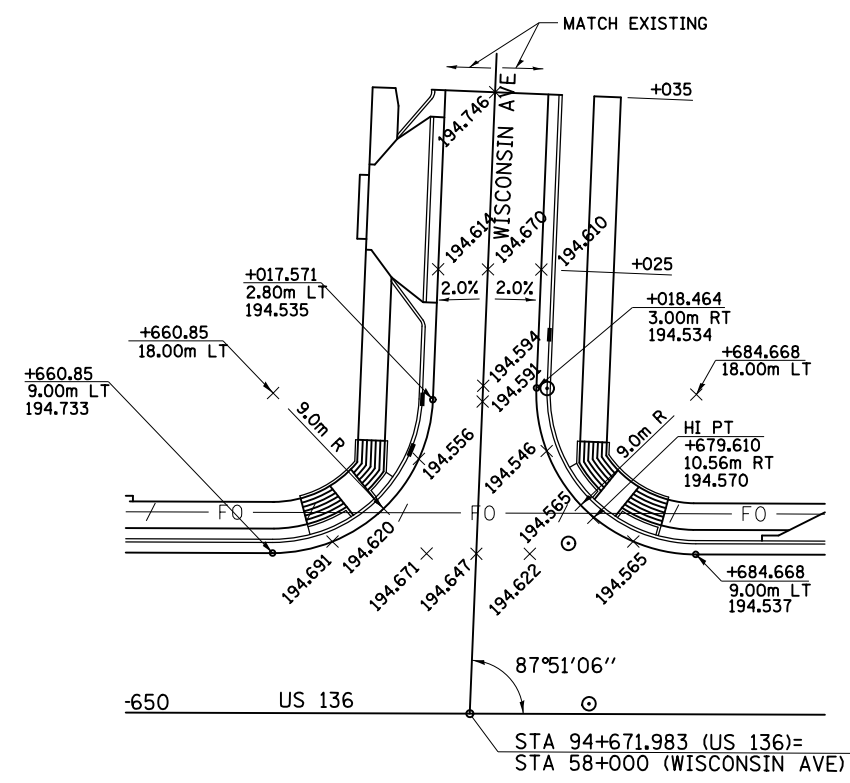
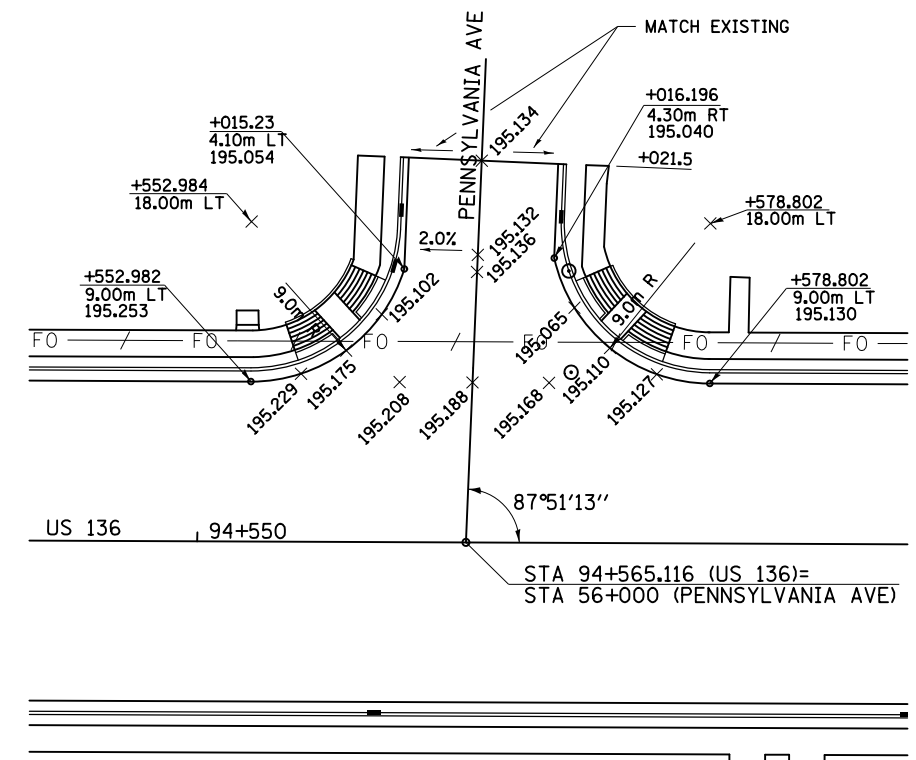
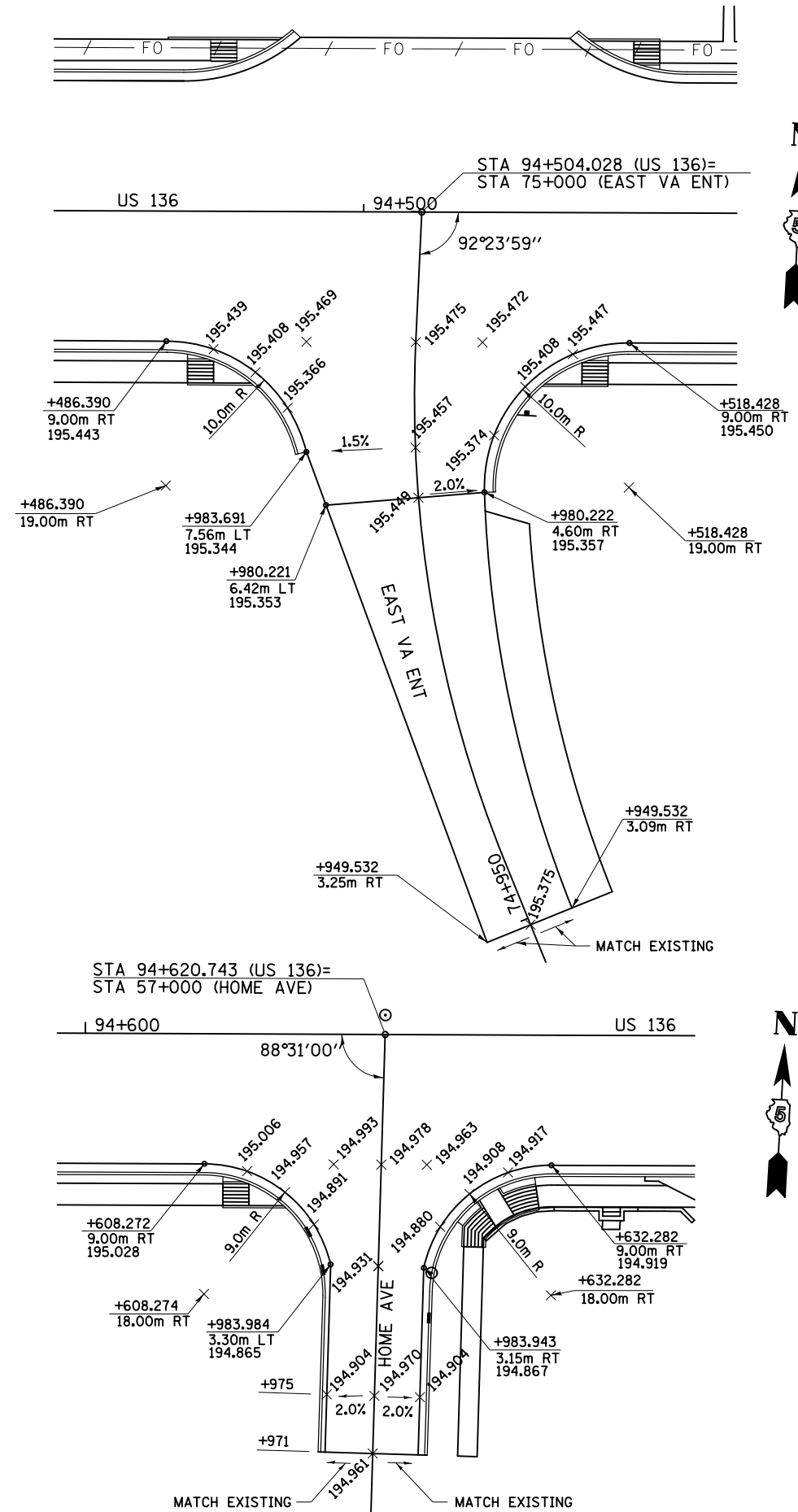


F.A.P. RTE.	SECTION	COUNTY	TOTAL SHEETS	SHEET NO.
729	*	VERMILION	298	106
FED. ROAD DIST. NO.		ILLINOIS FED. AID PROJECT		
* 36(W,RS-1) & 34Z-2(W,RS) CONTRACT #90939				



NOTES: UNLESS OTHERWISE NOTED, ELEVATIONS ARE LOCATED AT QUARTER POINTS AND/OR HALF POINTS ALONG THE RADIUS RETURN.

ELEVATIONS SHOWN ADJACENT TO DRAINAGE STRUCTURES SHALL BE THE EDGE OF PAVEMENT ELEVATION AT RIGHT ANGLES TO THE FACE OF CURB AT THE CENTER OF THE DRAINAGE STRUCTURE.

REVISIONS	
NAME	DATE

ILLINOIS DEPARTMENT OF TRANSPORTATION
INTERSECTION DETAILS

DATE AUGUST 2003

DRAWN BY VCF
CHECKED BY AWM

8/17/2012