

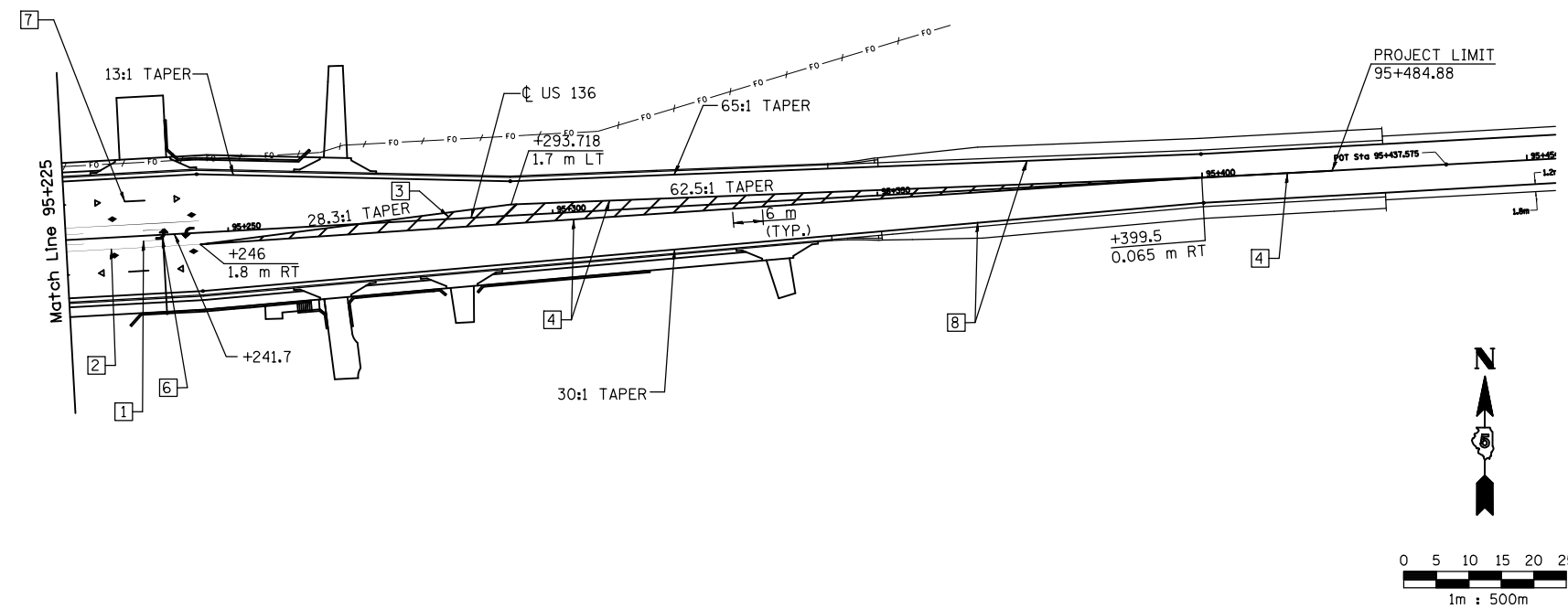
F.A.P. RTE.	SECTION	COUNTY	TOTAL SHEETS	SHEET NO.
729	*	VERMILION	298	114
STA. 95+025		TO STA.		
FED. ROAD DIST. NO.		ILLINOIS FED. AID PROJECT		
• 36(W,RS-1) & 34Z-2(W,RS) CONTRACT #90939				

THERMOPLASTIC PAVEMENT MARKING -- LINE 100 mm

STATION TO STATION	TYPE	METER
U.S. ROUTE 136		
WHITE		
LT 95+225	95+246 SKIP-DASH	5.3
RT 95+225	95+246 SKIP-DASH	5.3
	SUBTOTAL	10.6
YELLOW		
LT 95+225	95+246 SKIP-DASH	5.3
RT 95+225	95+246 SKIP-DASH	5.3
RT 95+424	95+485 SKIP-DASH	15.3
	SUBTOTAL	25.9
YELLOW		
LT 95+225	95+246 SOLID	21
RT 95+225	95+246 SOLID	21
95+246	95+485 SOLID	727
	SUBTOTAL	769
WHITE		
LT 95+350	95+485 SOLID	135
RT 95+350	95+485 SOLID	135
	SUBTOTAL	270
	SHEET TOTAL	1075.5

THERMOPLASTIC PAVEMENT MARKING -- LINE 300 mm

STATION TO STATION	TYPE	METER
U.S. ROUTE 136		
YELLOW		
95+246	95+399.5 SOLID	75
	SUBTOTAL	75
	SHEET TOTAL	75



THERMOPLASTIC PAVEMENT MARKING -- LETTERS AND SYMBOLS

STATION TO STATION	TYPE	COLOR	SQ. M.
U.S. ROUTE 136			
95+225	95+246	ARROW	WHITE
			3
		SUBTOTAL	3
		SHEET TOTAL	3

RAISED REFLECTIVE PAVEMENT MARKERS

STATION TO STATION	TYPE	EACH
U.S. ROUTE 136		
95+225	95+246	TWO-WAY AMBER
		4
95+400	95+485	TWO-WAY AMBER
		9
95+225	95+246	ONE-WAY CRYSTAL
		4
95+246	95+400	ONE-WAY AMBER
		24
		SUBTOTAL
		41
		SHEET TOTAL
		41

NOTE:

- SEE SHEET 1 OF 5 FOR PAVEMENT MARKING LEGEND.
- ALL STOP BAR STATIONING CALLED TO BACK OF STOP BAR.

REVISIONS		ILLINOIS DEPARTMENT OF TRANSPORTATION
NAME	DATE	
		PAVEMENT MARKINGS U.S. ROUTE 136 SCALE 1:500 DRAWN BY WX DATE 08/03 CHECKED BY IYL

c:\pw\work\pwidot\ceer\lock\j\d0313241\sect3pave5.dgn
 8/17/2012