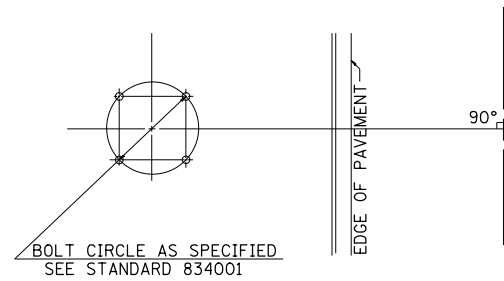


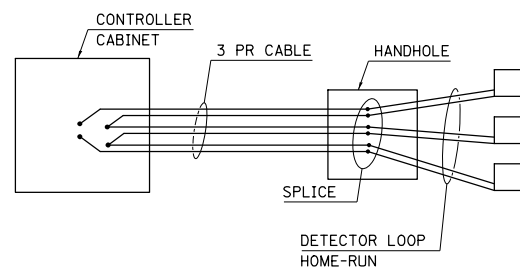
F.A.P. RTE.	SECTION	COUNTY	TOTAL SHEETS	SHEET NO.
729	•	VERMILION	298	127
• 36(W,RS-1) & 34Z-(W,RS) CONTRACT #90939				



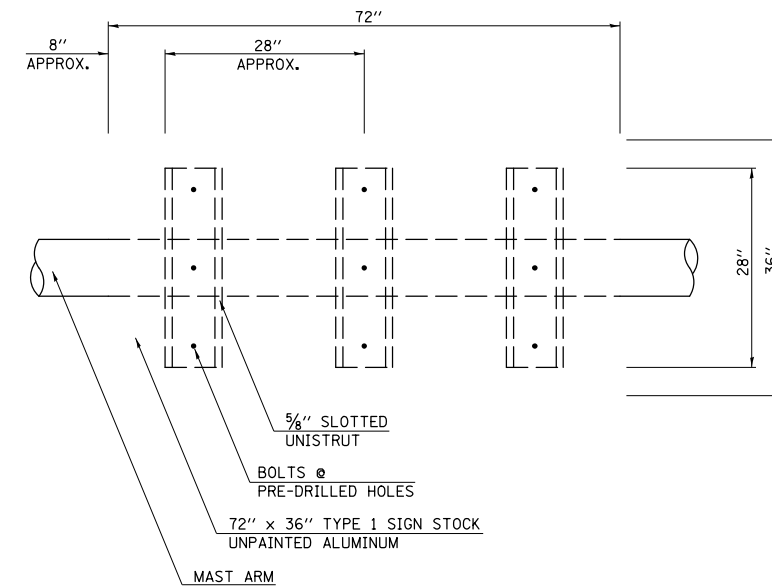
**DETAIL OF MAST ARM FOUNDATION
BOLT PATTERN**

DETAIL OF DETECTOR LOOP WIRING

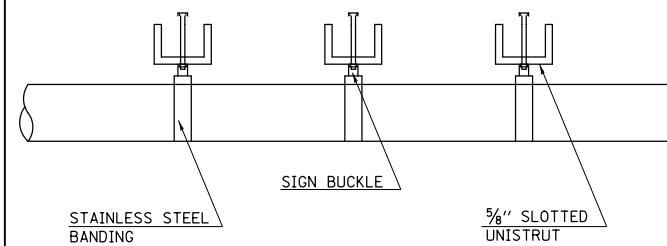
WIRED IN SERIES WITH MULTI-PAIR CABLE



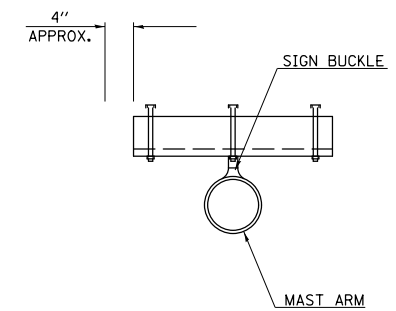
MAST ARM DAMPENING DEVICE MOUNTING DETAIL



PLAN VIEW



ELEVATION



CROSS SECTION

NOTE: PAINT ENDS OF UNISTRUT WITH SPRAY ON GALVANIZED PAINT