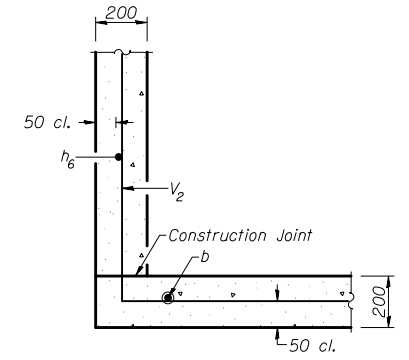
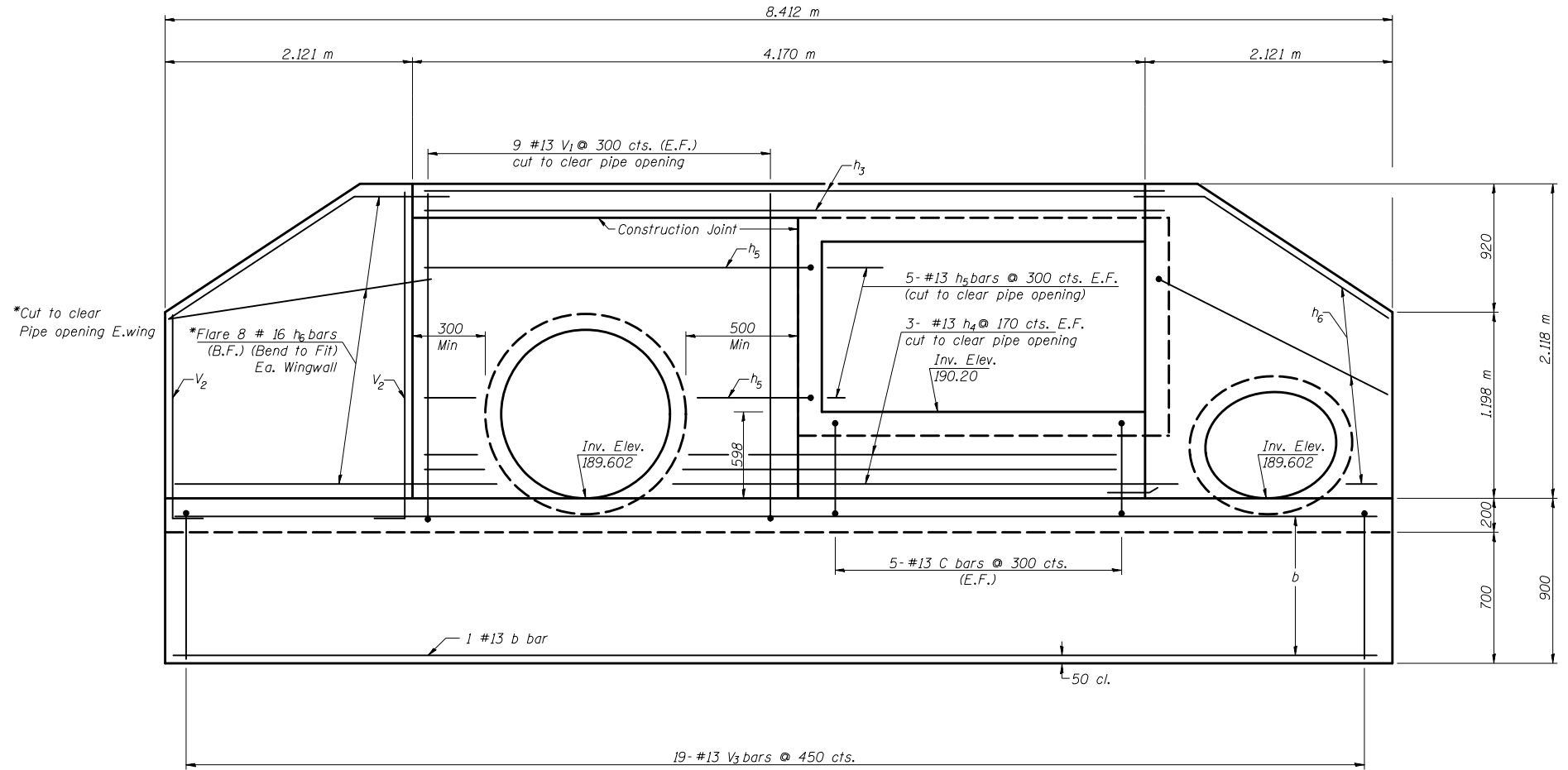
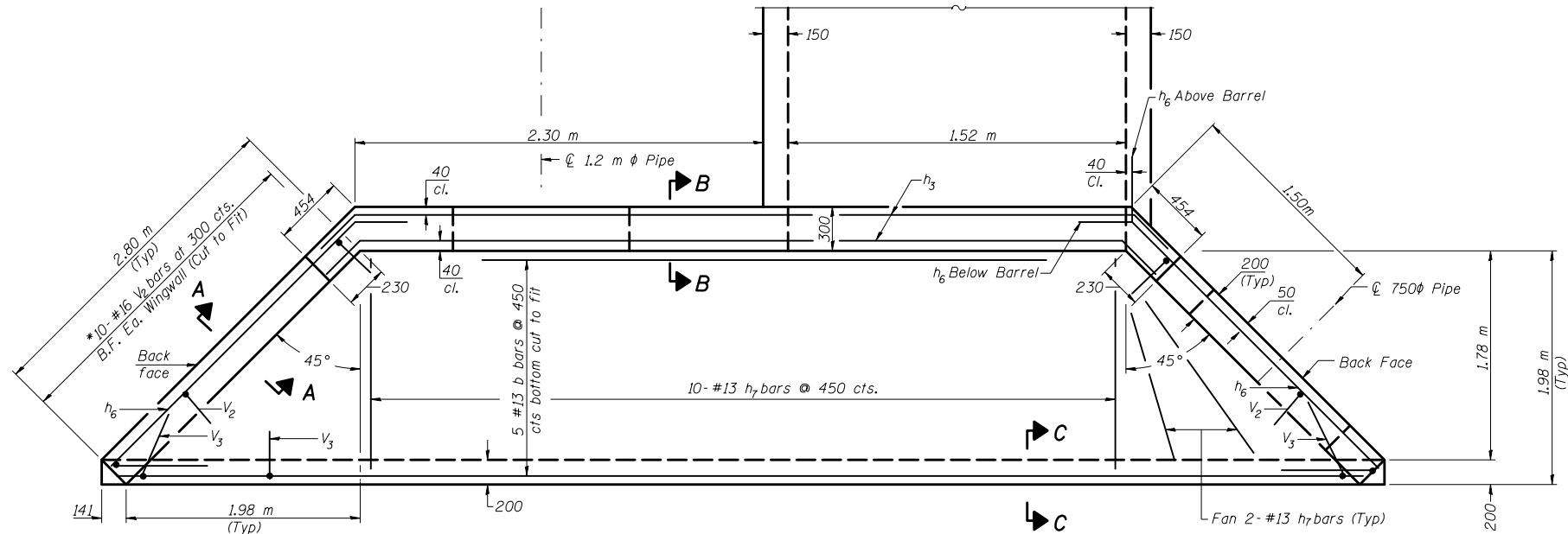
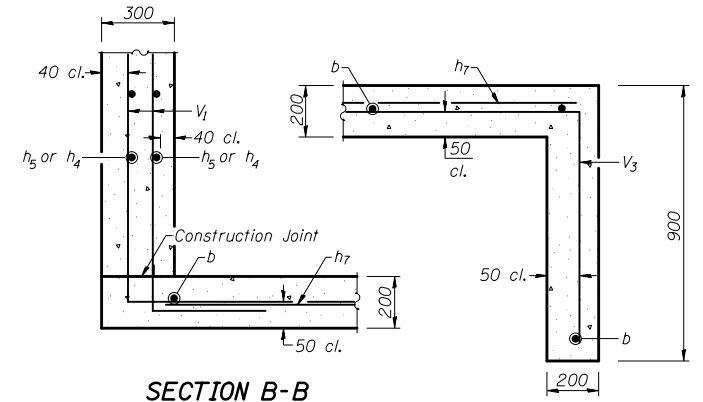


F.A. RTE.	SECTION	COUNTY	TOTAL SHEETS	SHEET NO.
729	*	VERMILION	298	154
STA.	TO STA.			
FED. ROAD DIST. NO.	ILLINOIS	FED. AID PROJECT		
* 36(W,RS-1) & 34Z-2(W,RS) CONTRACT #90939				



SECTION A-A



SECTION B-B

SECTION C-C

REVISIONS		ILLINOIS DEPARTMENT OF TRANSPORTATION BOX CULVERT EXTENSION STA. 94+878.205 F.A. RTE. 729 (US 136) SECTION 36(W,RS-1) & 34Z-2(W,RS) VERMILION COUNTY
NAME	DATE	
		SCALE N.T.S. DATE 8/03 DRAWN BY JMD CHECKED BY STD

ct:\pw\work\pwidot\ceer\lock\j\d0313241\culvert.dgn
8/17/2012