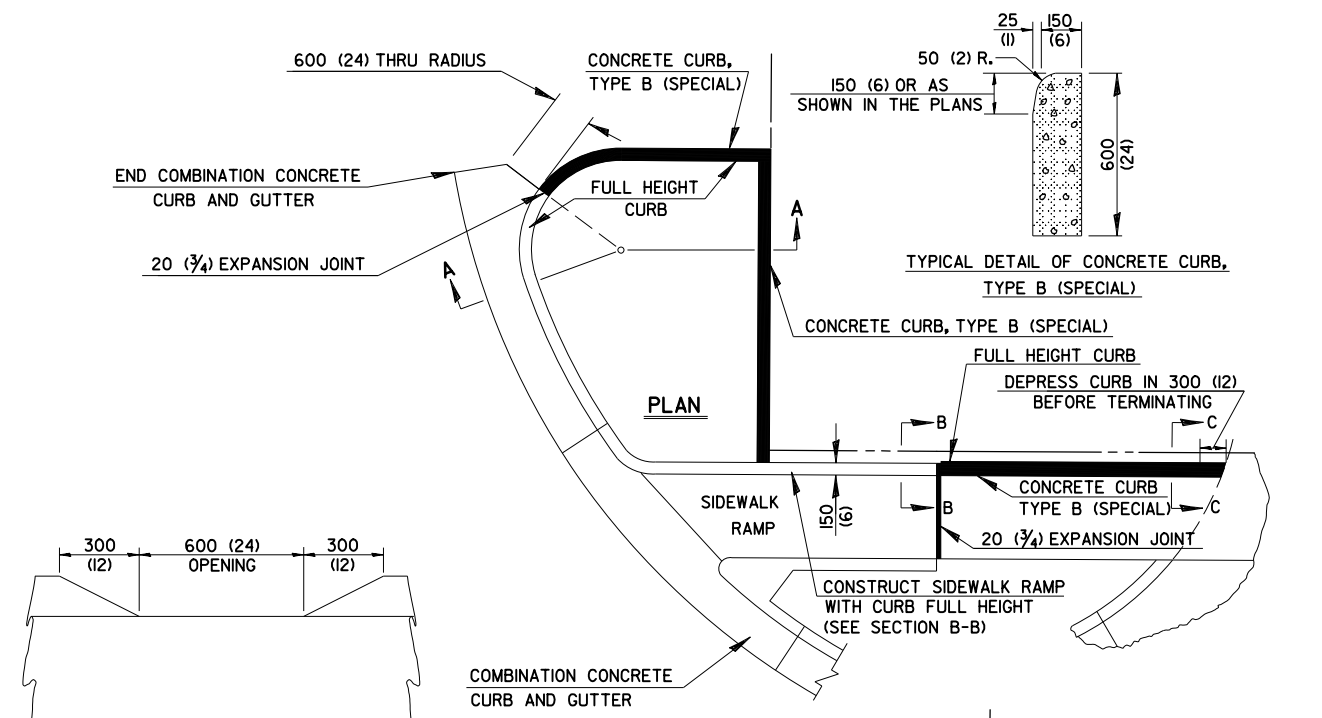
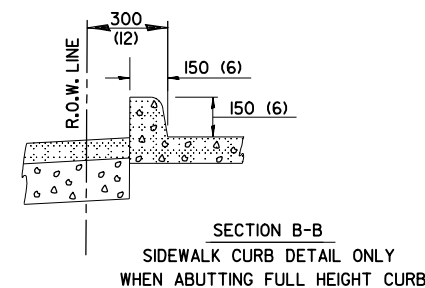
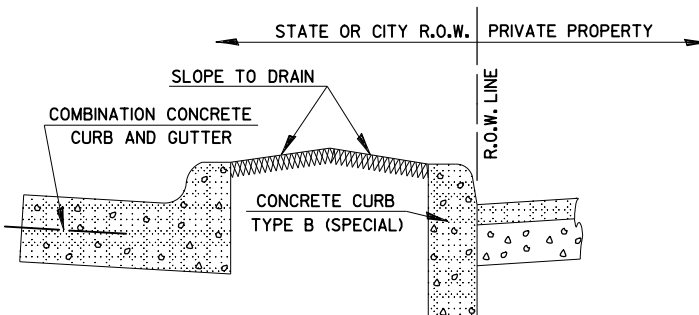


F.A.P. RTE.	SECTION	COUNTY	TOTAL SHEETS	SHEET NO.
729		VERMILION	298	155
FED. ROAD DIST. NO.		ILLINOIS FED. AID PROJECT		
• 36(W,RS-1) & 34Z-2(W,RS) CONTRACT #90939				

TYPICAL APPLICATIONS OF CONCRETE CURB, TYPE B (SPECIAL)



SECTION SHOWING DRAINAGE OPENINGS @ 4.5 m (15'-0") CENTERS WHEN REQUIRED

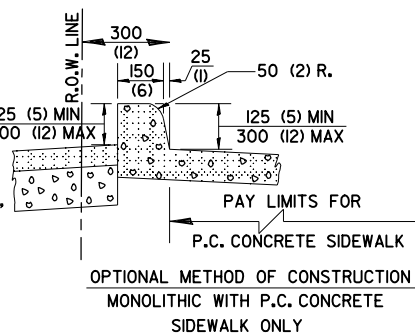
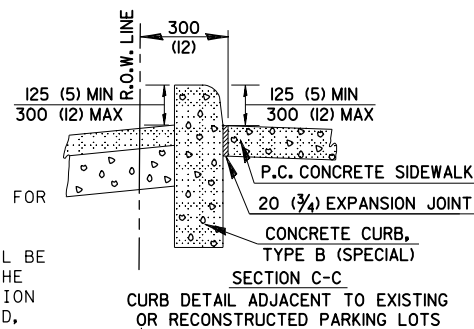
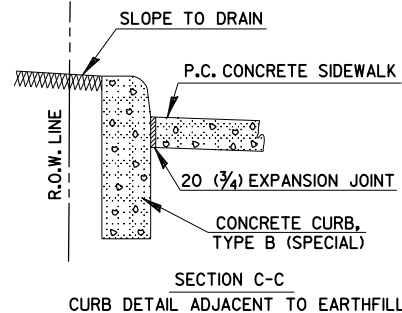


All dimensions are in millimeters (inches) unless otherwise shown.

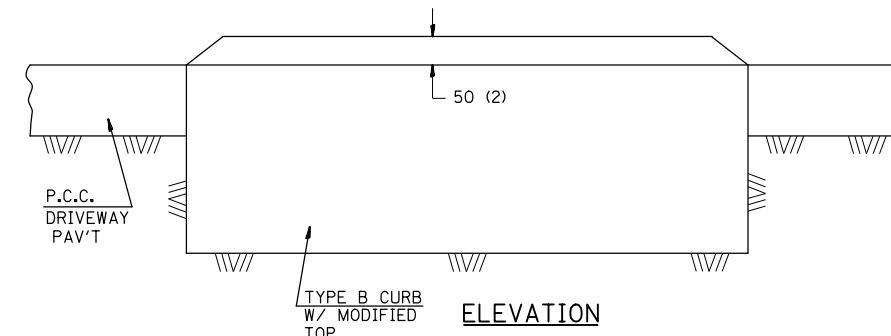
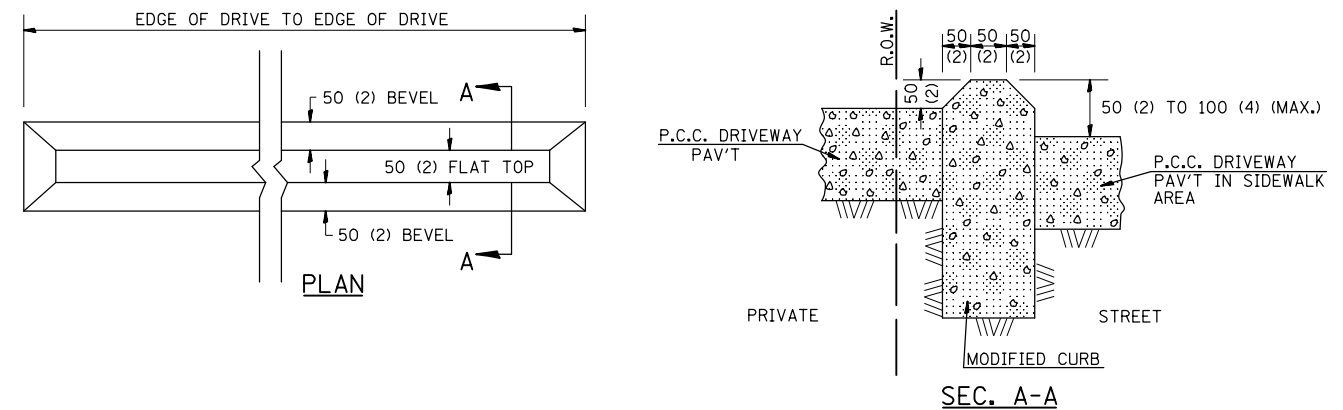
DESIGNED	NAME	DATE	REVISIONS	
J.H.M.	J.H.M.	3-85	NAME	DATE
F.M.S.	F.M.S.	7-85	G.A.M.	11-95
A-106	D.L.P.	10-96		

GENERAL NOTES

1. THE APPLICABLE GENERAL NOTES FOR STANDARD 606001 (2130) SHALL APPLY.
2. THE ENGINEER'S APPROVAL SHALL BE OBTAINED IN WRITING BEFORE THE OPTIONAL METHOD OF CONSTRUCTION WILL BE ALLOWED. IF APPROVED, THE MONOLITHIC CURB WILL ALSO BE PAID FOR PER METER (LIN. FT.).
3. ACTUAL APPLICATIONS WILL ALSO BE SHOWN ON THE STATION CROSS-SECTIONS.
4. THIS WORK WILL BE PAID FOR AT THE CONTRACT UNIT PRICE PER METER (LIN. FT.) (EITHER METHOD) FOR CONCRETE CURB, TYPE B (SPECIAL) WHICH PRICE SHALL BE PAYMENT IN FULL FOR ALL LABOR AND MATERIAL AS SPECIFIED INCLUDING EXCAVATION, THE 20 mm (3/4") EXPANSION JOINTS, SAW CUTTING EXISTING PARKING LOTS WHEN REQUIRED, THE DRAINAGE OPENINGS WHEN REQUIRED AND NO ADDITIONAL COMPENSATION WILL BE ALLOWED.



MODIFIED CURB FOR NARROW RIGHT OF WAY DRIVEWAY SEPARATION



NOTES:

1. THIS MODIFIED CURB WILL BE MEASURED AND PAID FOR AS "CONCRETE CURB, TYPE B (SPECIAL)".
2. ALL DIMENSIONS ARE IN MILLIMETERS (INCHES) UNLESS OTHERWISE NOTED.

* NOT TO SCALE

REVISIONS		ILLINOIS DEPARTMENT OF TRANSPORTATION
NAME	DATE	
		<p style="text-align: center;">SPECIAL DETAILS</p> <p style="text-align: right;">DRAWN BY TD CHECKED BY AWM</p> <p>DATE AUGUST 2003</p>