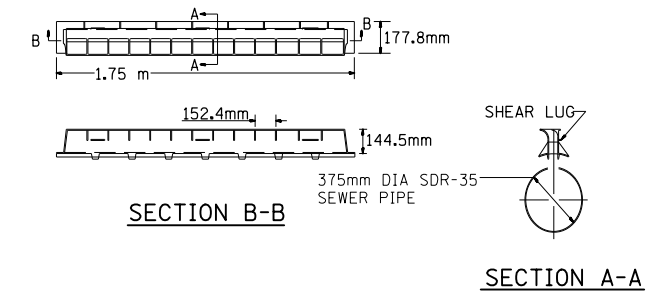
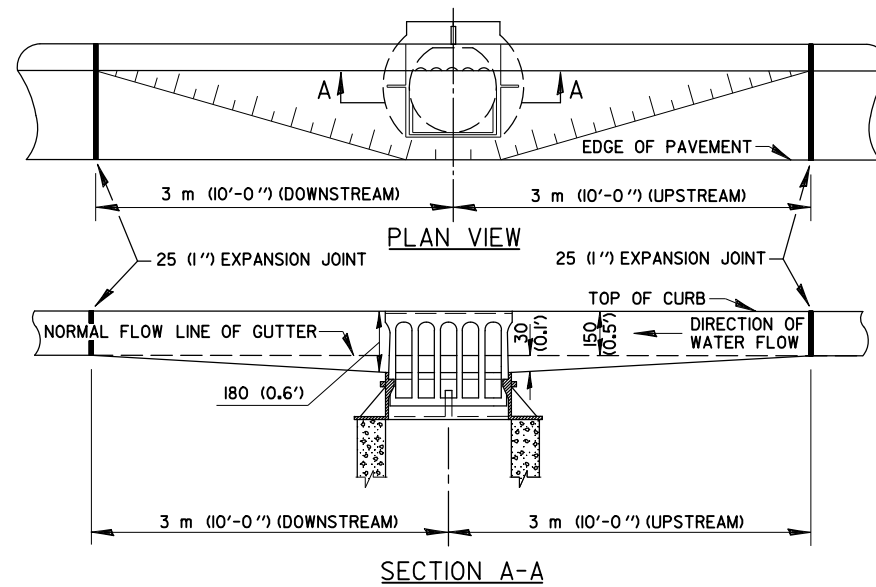


F.A.P. RTE.	SECTION	COUNTY	TOTAL SHEETS	SHEET NO.
729		VERMILION	298	156
FED. ROAD DIST. NO.		ILLINOIS FED. AID PROJECT		
• 36(W,RS-1) & 34Z-2(W,RS) CONTRACT #90939				

DETAIL OF VANE DRAIN



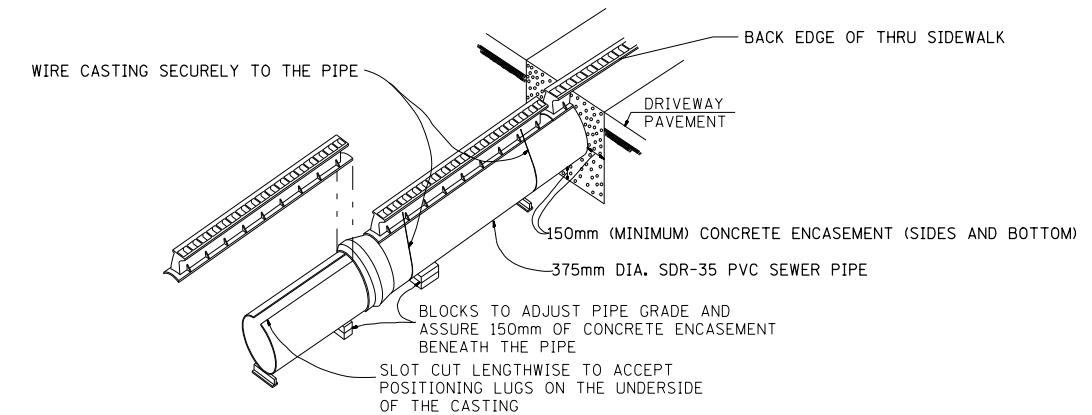
DETAIL OF DEPRESSING GUTTER GRADE AT INLETS, CATCH BASINS AND MANHOLES



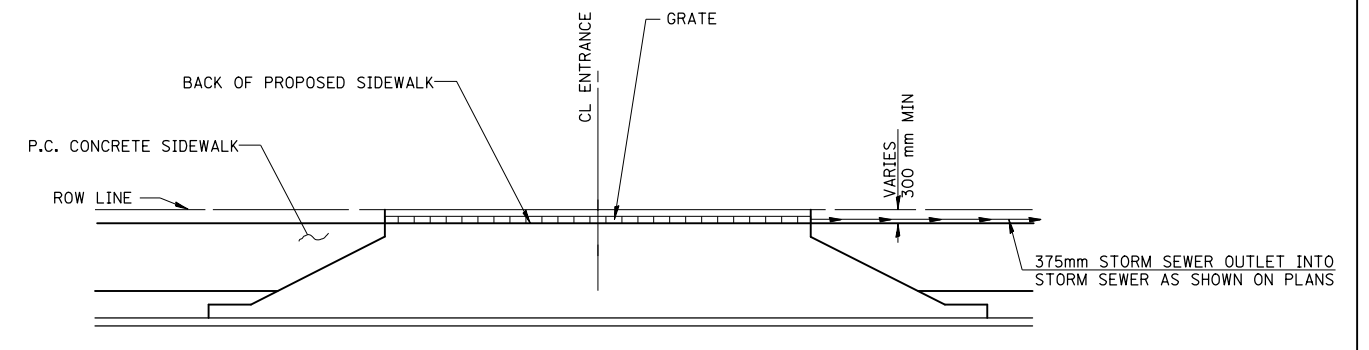
GENERAL NOTES

1. THE TWO EXPANSION JOINTS AS MENTIONED IN THE DRAINAGE OPENING PARAGRAPH ON STD. 606001 (2130) SHALL BE PLACED AS SHOWN ABOVE.
2. THE GUTTER GRADE SHALL BE DEPRESSING AT ALL INLETS, CATCH BASINS AND MANHOLES UNLESS OTHERWISE SPECIFIED IN THE PLANS.
3. THE COST OF THIS WORK SHALL BE INCLUDED IN THE COST OF THE VARIOUS PAY ITEMS OF WORK INVOLVED.
4. ALL DIMENSIONS ARE IN MILLIMETERS UNLESS OTHERWISE NOTED.

	NAME	DATE	REVISIONS	
DESIGNED	J.M.H.	11/87	NAME	DATE
CHECKED	F.M.S.	11/87	J.M.H.	7/88
CADD NO.	A-1.31		D.L.P.	5/96
			D.L.P.	10/96



ELEVATION



PLAN

NOTES: THE GRATES SHALL BE NEENAH R-3599 OR EQUIVALENT THIS WORK SHALL BE PAID FOR AT THE CONTRACT UNIT PRICE PER METER FOR VANE DRAIN, WHICH PRICE SHALL BE PAYMENT IN FULL FOR ALL LABOR AND MATERIAL NECESSARY FOR THE INSTALLATION OF THE VANE DRAIN. THE STORM SEWER SHALL BE PAID FOR SEPARATELY.

THE PROPOSED STORM SEWER SHALL BE PLUGGED ON THE UPSTREAM END WHERE APPLICABLE.

THE 375MM DIAMETER SDR-35 PVC STORM SEWER PIPE SHALL BE PAID FOR AT THE CONTRACT UNIT PRICE PER METER AS STORM SEWER, CLASS B, TYPE 1, 375MM

REVISIONS		ILLINOIS DEPARTMENT OF TRANSPORTATION
NAME	DATE	
		SPECIAL DETAILS
		DRAWN BY TD
		CHECKED BY AWM
		DATE AUGUST 2003