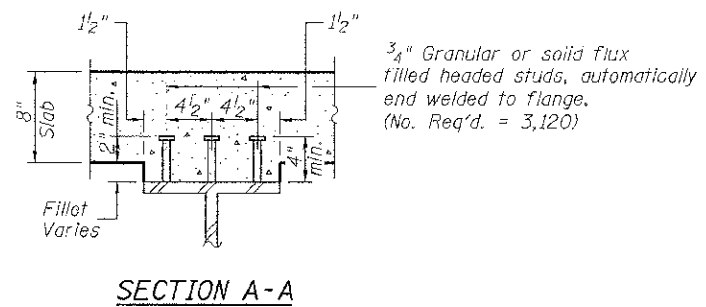


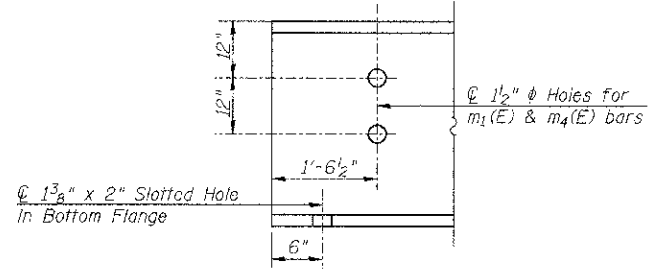
***TOP OF BEAM ELEVATIONS**

Beam No.	℄ Brg. South Abut.	℄ Brg. Pier #1	℄ Splice #1	℄ Brg. Pier #2	℄ Splice #2	℄ Brg. North Abut.
1	541.61	539.73	539.25	537.20	536.67	534.80
2	541.65	539.77	539.29	537.24	536.71	534.84
3	541.68	539.81	539.33	537.28	536.75	534.88
4	541.55	539.67	539.19	537.14	536.61	534.74
5	541.42	539.54	539.06	537.01	536.48	534.61

*For Fabrication Only.



Note:
 All beams are W36x135 AASHTO M270 Grade 50W NTR.
 Load carrying components designated "NTR" shall conform to the Impact Testing Requirement, Zone 2.
 See Sheet 11 of 17 for Structural Steel Details.



FRAMING PLAN AND DETAILS
C.H. 2 OVER SUGAR CREEK
SECTION 07-00073-00-BR
SCHUYLER COUNTY
STATION 20+00.00

SHEET NO. 10 17 SHEETS	ROUTE NO. CH 2	SECTION 07-00073-00-BR	COUNTY SCHUYLER	TOTAL SHEETS 35	SHEET NO. 16
	SN 085-3056		CONTRACT NO. 93584		
FED. ROAD DIST. NO. 7 ILLINOIS			FED. AID PROJECT BRS-0455(107)		