

1/8" elastomeric neoprene leveling pad according to the material properties of Article 1052.02(a) of the Standard Specifications. Cost included with Structural Steel.

Ø 1" x 12" anchor bolts (ASTM F1554, Grade 36) with 2 1/4" x 2 1/4" x 5/16" Ø washer under nut. 1 3/8" x 2" slotted hole in flange. 1/2" Ø holes in bearing plate.

ELEVATION AT ABUTMENT
(10 Required)

SECTION A-A

SHIM P. TABLE

Beam	S. Abut.	Pier 1	Pier 2	N. Abut.
1	---	---	---	---
2	1/2"	1/2"	1/2"	1/2"
3	---	---	---	---
4	---	---	---	---
5	---	---	---	---

Notes:

Anchor bolts shall be ASTM F1554 all-thread (or an Engineer-approved alternate material) of the grade(s) and diameter(s) specified. The corresponding specified grade of AASHTO M314 anchor bolts may be used in lieu of ASTM F1554.

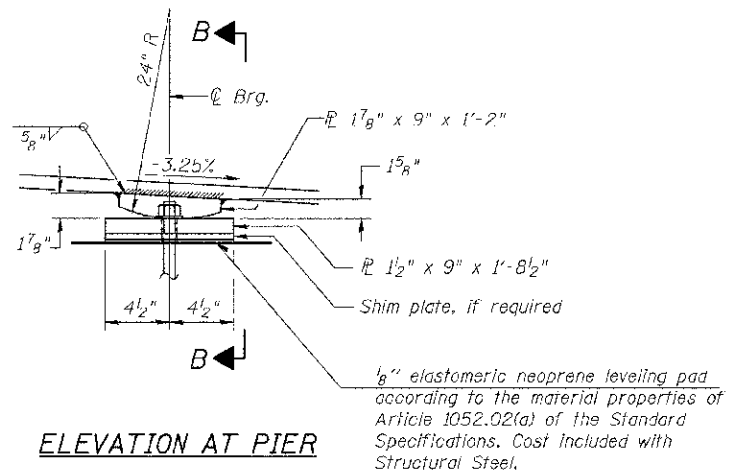
Anchor bolts at fixed bearings may be either cast in place or installed in holes drilled after the supported member is in place.

Drilled and set anchor bolts shall be installed according to Article 521.06 of the Standard Specifications.

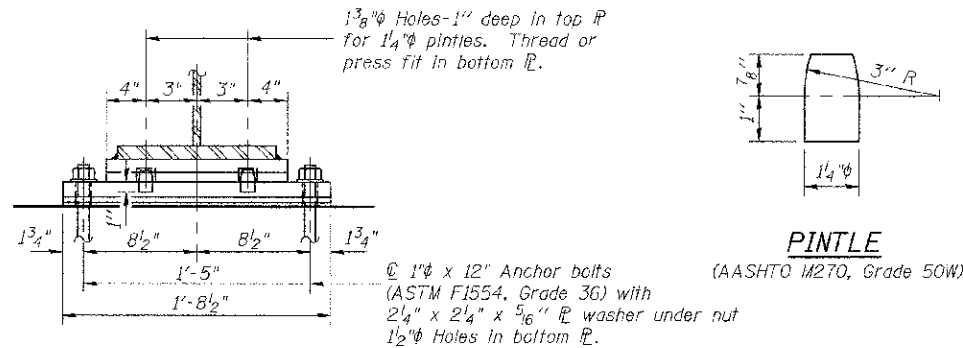
The structural steel bearing plates shall conform to the requirements of AASHTO M270 Grade 50W.

Anchor bolts shall be set and grout cured for a minimum of 24 hours prior to forming the bridge deck.

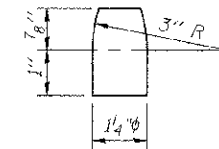
Two 1/8" in. adjusting shims shall be provided for each bearing in addition to all other plates or shims and placed as shown on bearing details.



ELEVATION AT PIER



SECTION B-B



PINTLE
(AASHTO M270, Grade 50W)

BILL OF MATERIAL

ITEM	UNIT	TOTAL
Anchor Bolts, 1"	EACH	40

FIXED BEARING
(10 Required)

BEARING DETAILS
C.H. 2 OVER SUGAR CREEK
SECTION 07-00073-00-BR
SCHUYLER COUNTY
STATION 20+00.00

SHEET NO. 12	ROUTE NO.	SECTION	COUNTY	TOTAL SHEETS	SHEET NO.
	CH 2	07-00073-00-BR	SCHUYLER	35	18
17 SHEETS	SN 085-3056		CONTRACT NO. 93584		
FED. ROAD DIST. NO. 7		ILLINOIS	FED. AID PROJECT BRS-0455(107)		