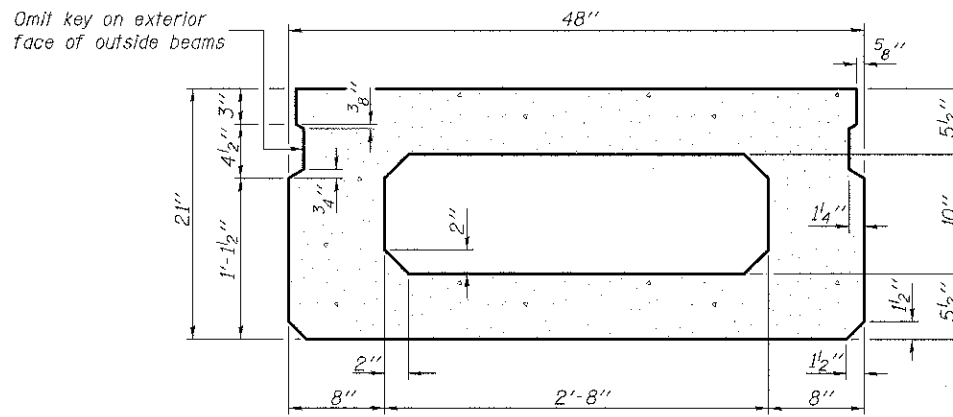
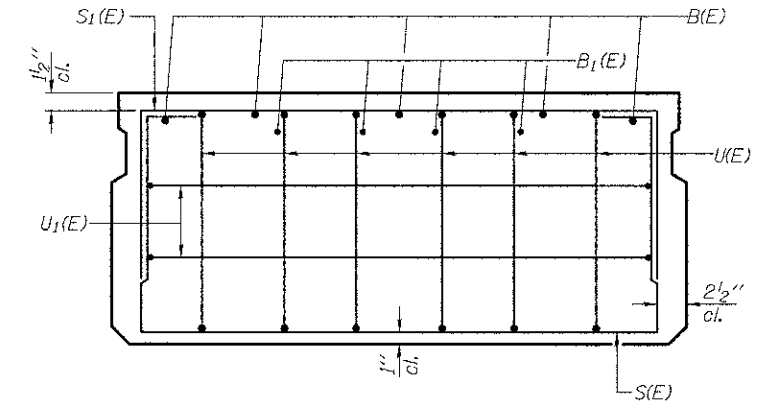


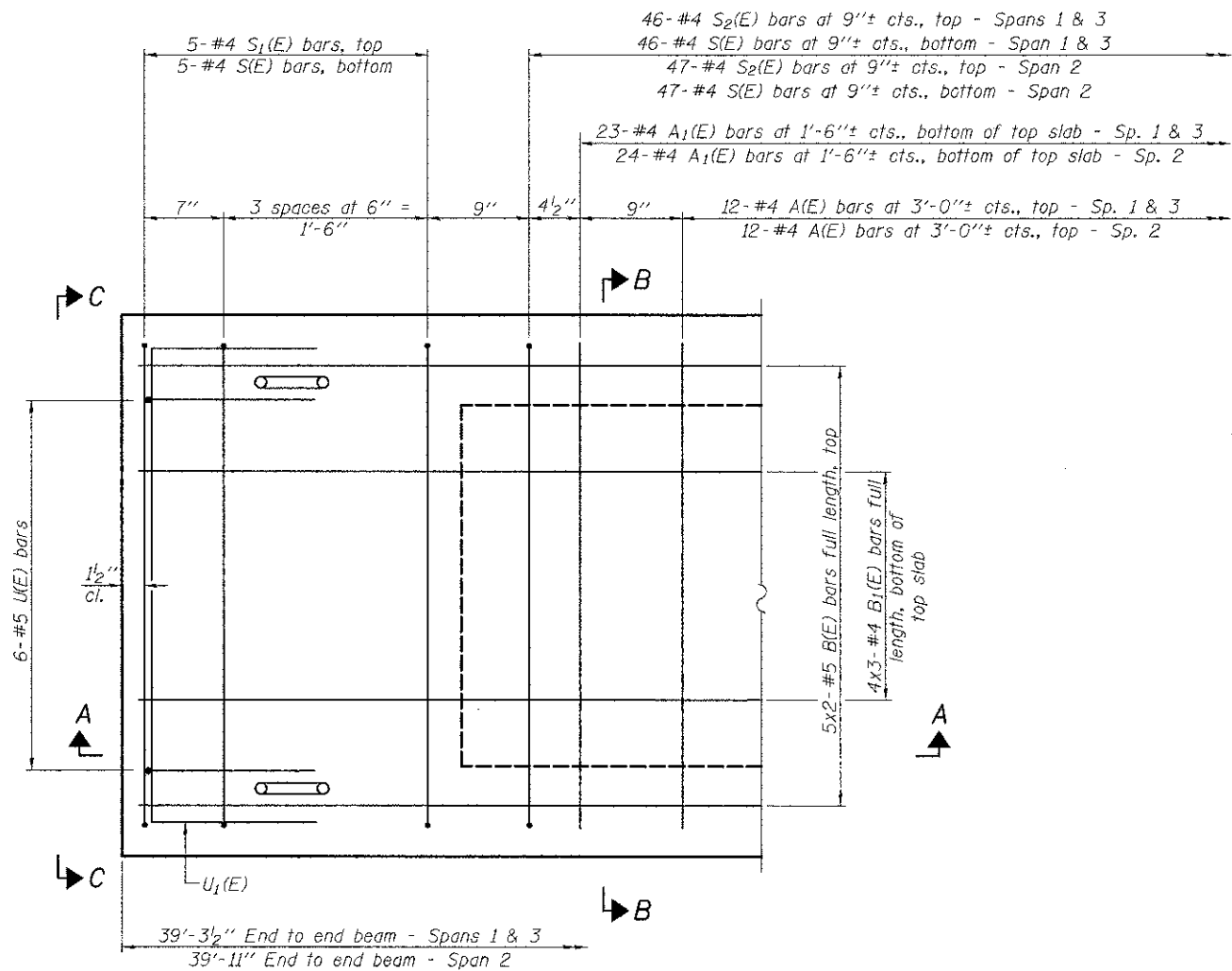
SECTION A-A



SECTION B-B
(Showing dimensions)



VIEW C-C



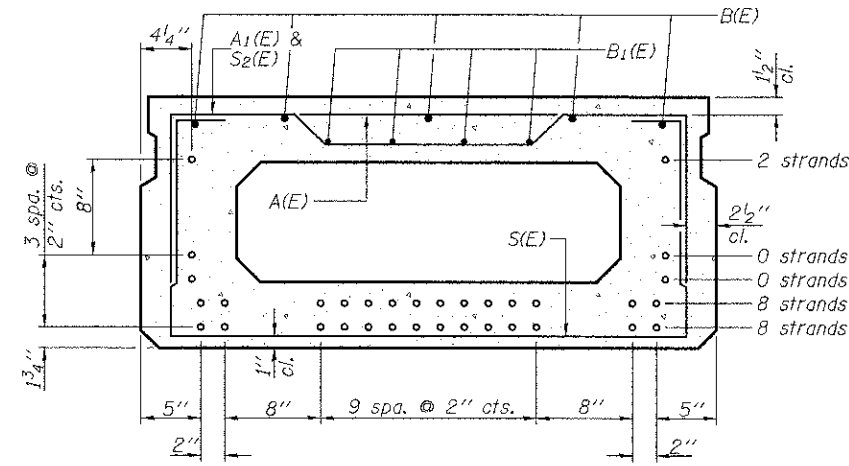
PLAN VIEW

MINIMUM BAR LAP

#4 bar = 2'-0"
#5 bar = 2'-6"

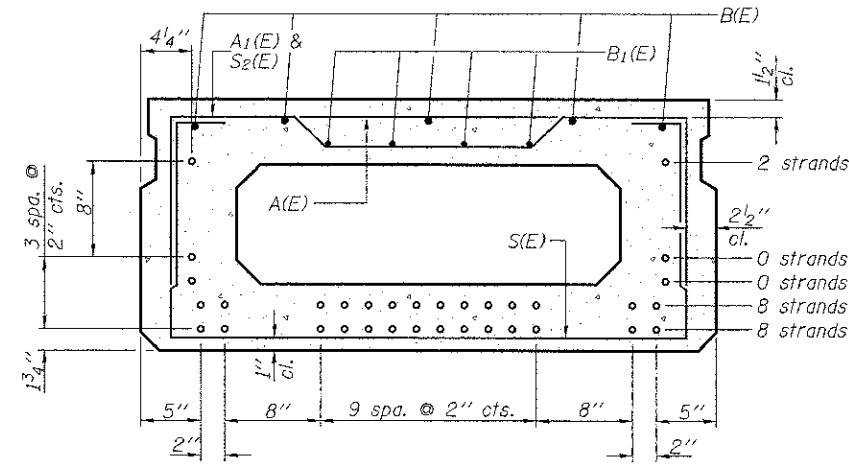
Note: Spacing of S(E) and S2(E) bars may be adjusted up to 4" in the immediate area of the transverse tie diaphragms to miss the block outs for the transverse ties.

Symmetrical about ϕ



SECTION B-B - SPANS 1 & 3
(Showing reinforcement and permissible strand locations)

18 - 1/2" ϕ Strands
(8 Strands 1 3/4" up, 8 Strands 3 3/4" up, 2 Strands 15 3/4" up)



SECTION B-B - SPAN 2
(Showing reinforcement and permissible strand locations)

18 - 1/2" ϕ Strands
(8 Strands 1 3/4" up, 8 Strands 3 3/4" up, 2 Strands 15 3/4" up)

Note: Place the number of strands specified in each row symmetrically about the centerline of beam in the permissible strand locations shown.

BAR LIST - SPANS 1 & 3

ONE BEAM ONLY

(For Information Only)

Bar	No.	Size	Length	Shape
A(E)	12	#4	3'-7"	—
A1(E)	23	#4	3'-10"	—
B(E)	10	#5	20'-10"	—
B1(E)	12	#4	14'-5"	—
S(E)	56	#4	7'-5"	U
S1(E)	10	#4	5'-11"	U
S2(E)	46	#4	6'-2"	U
U(E)	12	#5	4'-0"	U
U1(E)	4	#4	6'-0"	U

Note: See sheet 5 of 10 for additional details and Bill of Material.

BAR LIST - SPAN 2

ONE BEAM ONLY

(For Information Only)

Bar	No.	Size	Length	Shape
A(E)	12	#4	3'-7"	—
A1(E)	24	#4	3'-10"	—
B(E)	10	#5	21'-1"	—
B1(E)	12	#4	14'-7"	—
S(E)	57	#4	7'-5"	U
S1(E)	10	#4	5'-11"	U
S2(E)	47	#4	6'-2"	U
U(E)	12	#5	4'-0"	U
U1(E)	4	#4	6'-0"	U

Note: See sheet 5 of 10 for additional details and Bill of Material.

PD-2148-0

7-1-10

FILE NAME = H:\5\90\2_24\Bridge_dkms_5740_84.dgn	USER NAME = USER\JECCL	DESIGNED = B.I.B.	REVISED =
PLOT SCALE = 8.0000 / IN.	CHECKED = L.D.G.	DRAWN = K.H.L.L.	REVISED =
PLOT DATE = 9/7/2012	DATE =		REVISED =

STATE OF ILLINOIS
DEPARTMENT OF TRANSPORTATION

21" x 48" PPC DECK BEAM

SCALE: SHEET NO. 4 OF 10 SHEETS STA. TO STA.

FAS RTE	SECTION	COUNTY	TOTAL SHEETS	SHEET NO.
779	07-00085-00-BR	BOND	41	20
SN 003-3053		CONTRACT NO. 97508		
ILLINOIS FEDERAL AID PROJECT				