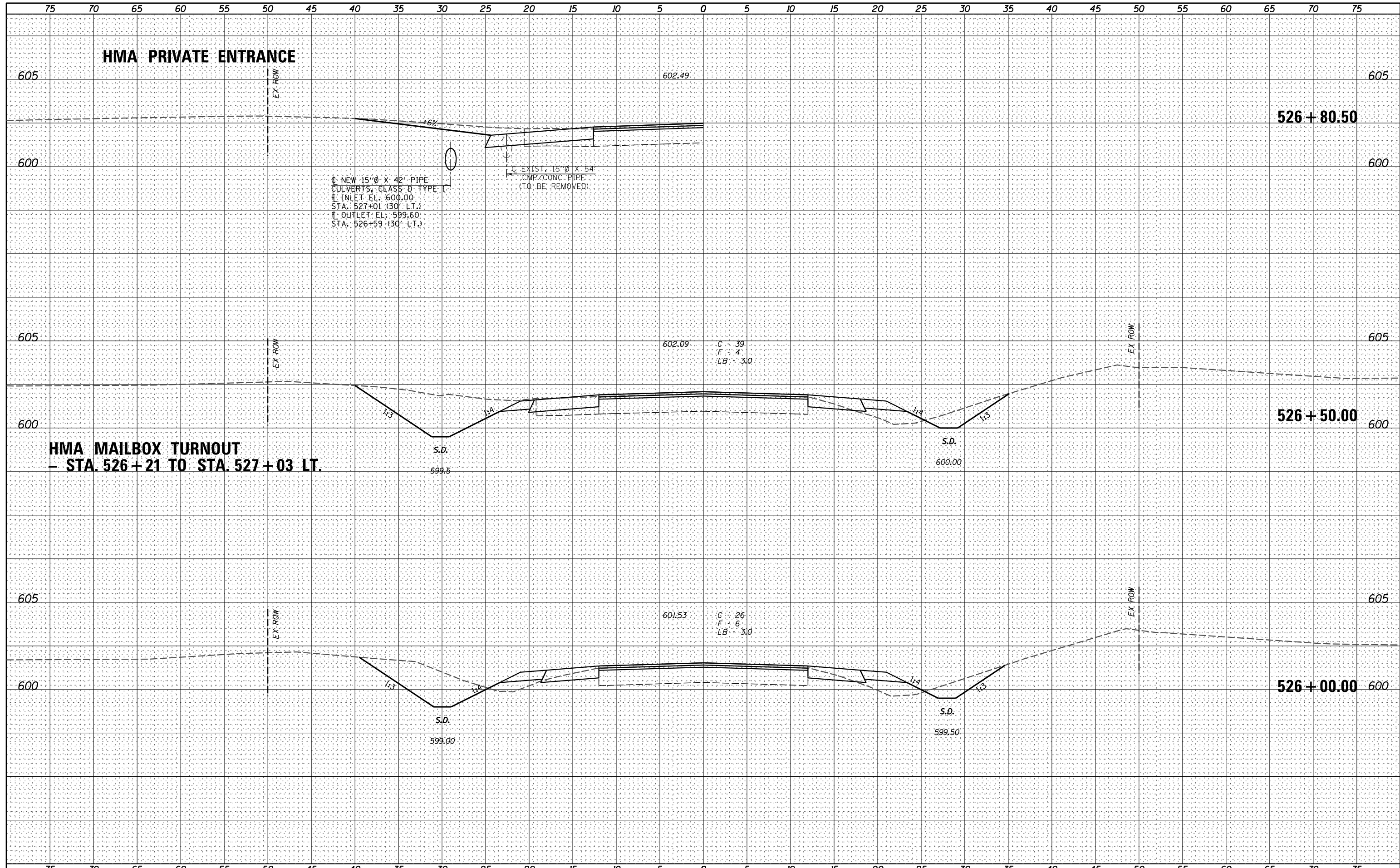


DATE	
BY	
FINAL SURVEY	
SURVEYED	
PLOTTED	
TEMPLATE	
NOTE BOOK	
AREAS CHECKED	
NO.	

DATE	
BY	
ORIGINAL SURVEY	
SURVEYED	
PLOTTED	
TEMPLATE	
NOTE BOOK	
AREAS CHECKED	
NO.	



Veenstra & Kimm, Inc.
Springfield, IL Phone: (217)544-8033

USER NAME = *USERS*	DESIGNED - _____	REVISED - _____
	DRAWN - _____	REVISED - _____
PLOT SCALE = *SCALE*	CHECKED - _____	REVISED - _____
PLOT DATE = *DATE*	DATE - _____	REVISED - _____

**STATE OF ILLINOIS
DEPARTMENT OF TRANSPORTATION**

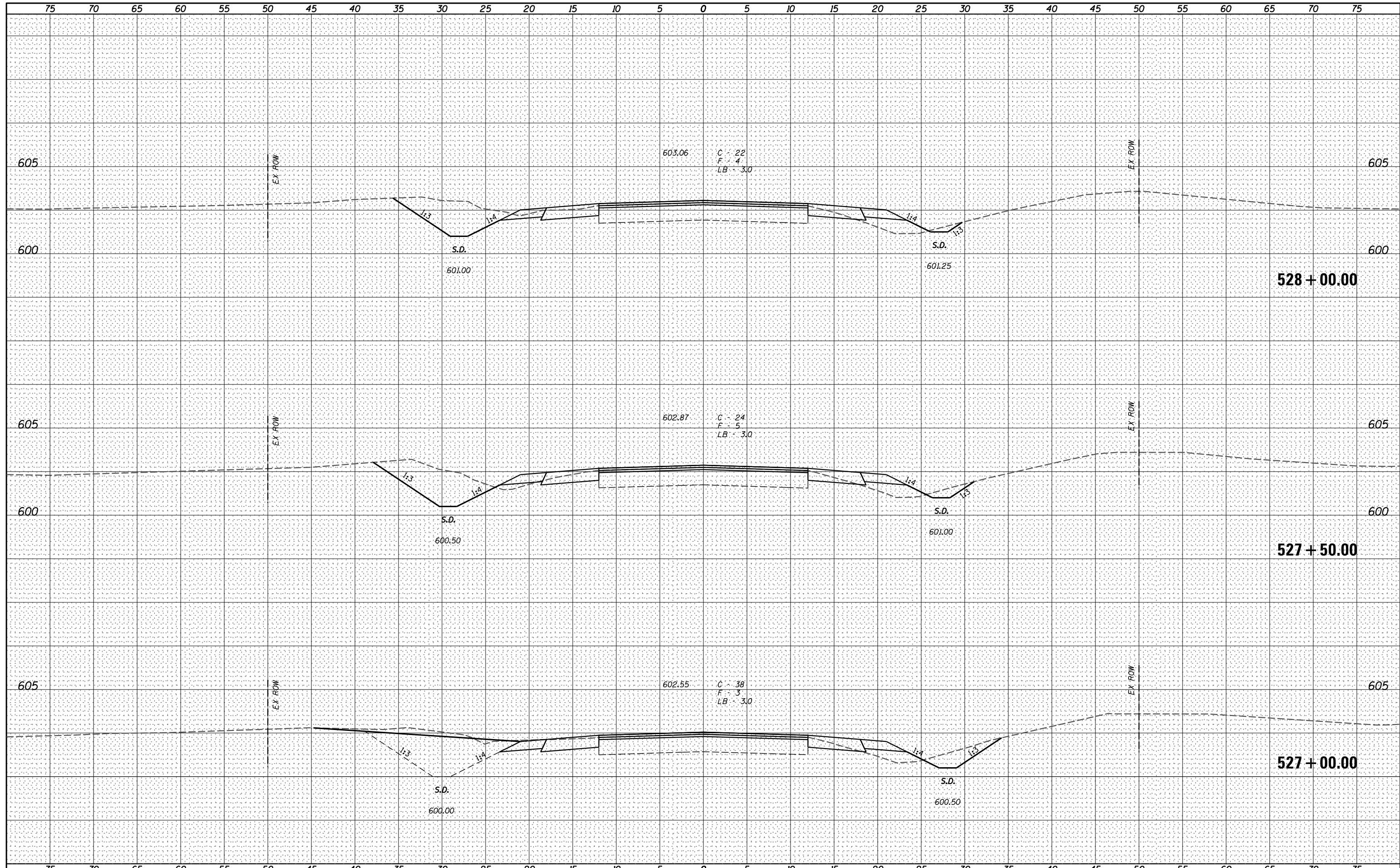
CROSS SECTIONS

SCALE: _____ SHEET NO. 244 OF 319 SHEETS STA. 526+00.00 TO STA. 526+92.68

F.A.P. RTE.	SECTION	COUNTY	TOTAL SHEETS	SHEET NO.
67	W(RS-6), (106)RS-4, BP	SANGAMON	486	402
CONTRACT NO. 72B37			ILLINOIS FED. AID PROJECT	

DATE _____
 BY _____
 SURVEYED _____
 PLOTTED _____
 TEMPLATE _____
 NOTE BOOK _____
 AREAS CHECKED _____
 NO. _____

DATE _____
 BY _____
 SURVEYED _____
 PLOTTED _____
 TEMPLATE _____
 NOTE BOOK _____
 AREAS CHECKED _____
 NO. _____



V&K
 Veenstra & Kimm, Inc.
 Springfield, IL Phone: (217)544-8033

USER NAME = *USER*	DESIGNED - _____	REVISED - _____
PLOT SCALE = *SCALE*	DRAWN - _____	REVISED - _____
PLOT DATE = *DATE*	CHECKED - _____	REVISED - _____
	DATE - _____	REVISED - _____

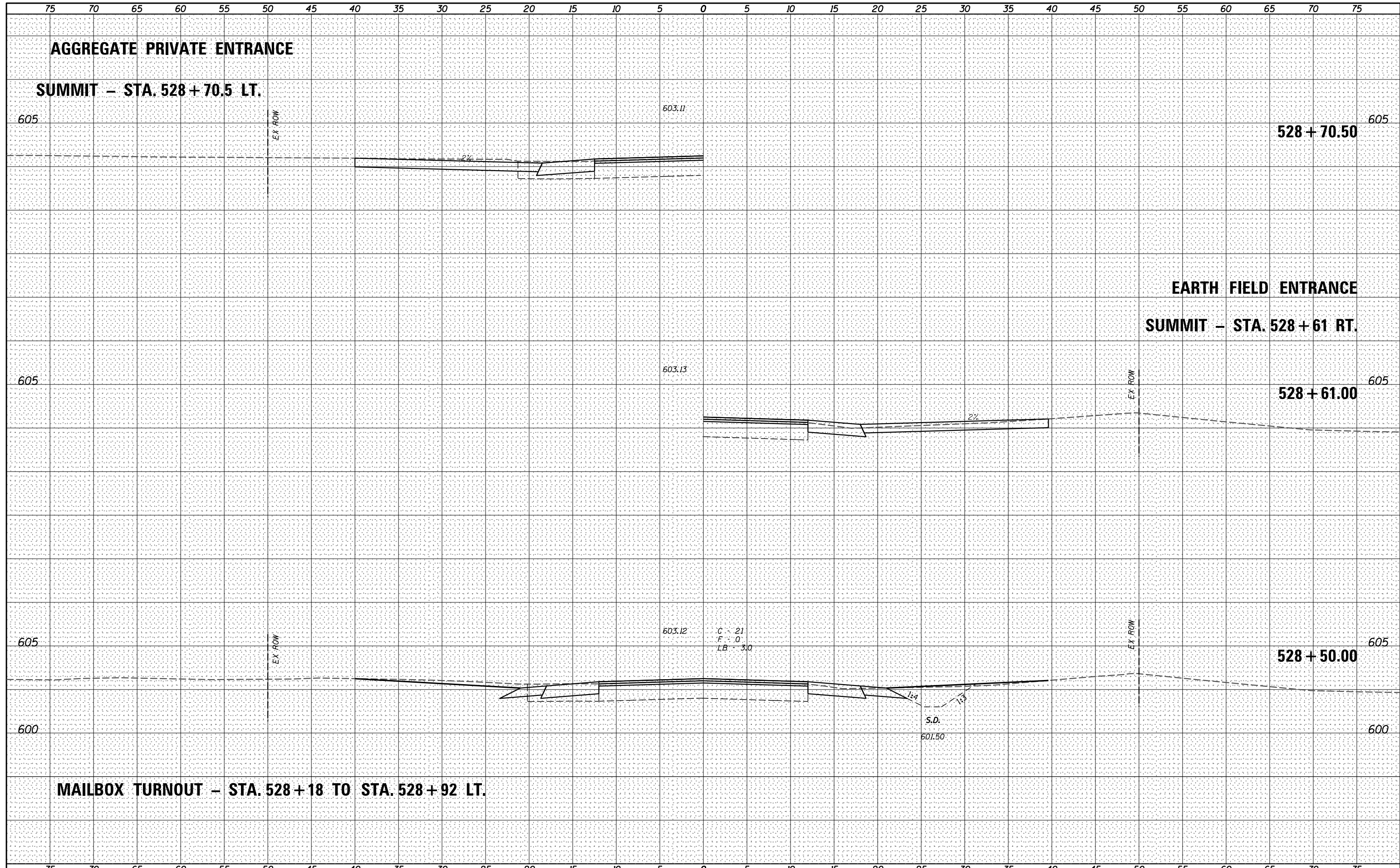
**STATE OF ILLINOIS
 DEPARTMENT OF TRANSPORTATION**

CROSS SECTIONS
 SCALE: _____ SHEET NO. 245 OF 319 SHEETS STA. 527+00.00 TO STA. 528+00.00

F.A.P. RTE.	SECTION	COUNTY	TOTAL SHEETS	SHEET NO.
67	W(RS-6), (106)RS-4, BP	SANGAMON	486	403
CONTRACT NO. 72B37				
ILLINOIS FED. AID PROJECT				

DATE	
BY	
FINAL SURVEY	SURVEYED
NOTE BOOK	PLOTTED
NO.	TEMPLATE
	AREAS CHECKED
	AREAS CHECKED

DATE	
BY	
ORIGINAL SURVEY	SURVEYED
NOTE BOOK	PLOTTED
NO.	TEMPLATE
	AREAS CHECKED
	AREAS CHECKED



Veenstra & Kimm, Inc.
Springfield, IL Phone: (217)544-8033

USER NAME = *USER*	DESIGNED - _____	REVISED - _____
PLOT SCALE = *SCALE*	DRAWN - _____	REVISED - _____
PLOT DATE = *DATE*	CHECKED - _____	REVISED - _____
	DATE - _____	REVISED - _____

**STATE OF ILLINOIS
DEPARTMENT OF TRANSPORTATION**

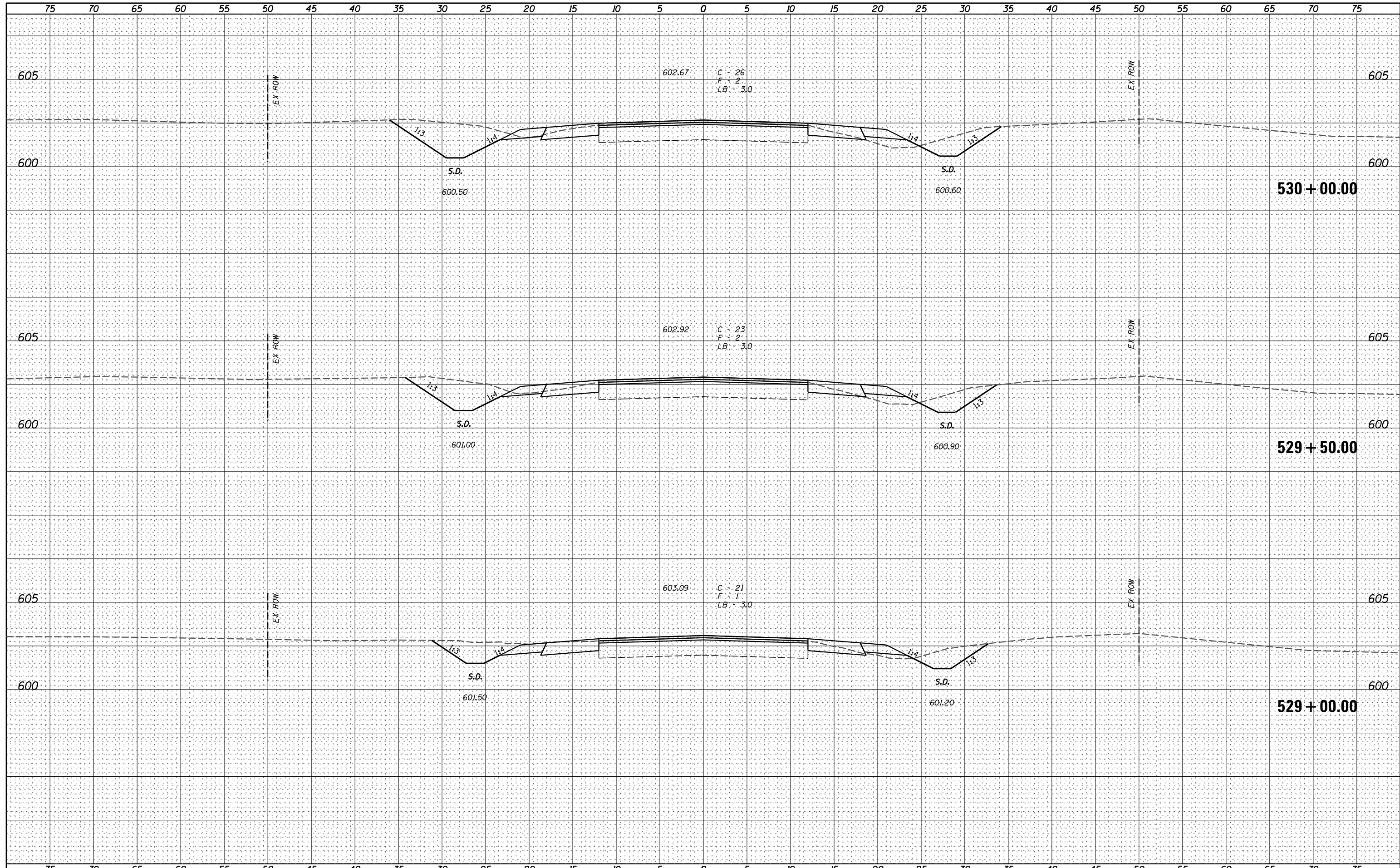
CROSS SECTIONS

SCALE: _____ SHEET NO. 246 OF 319 SHEETS STA. 528+50.00 TO STA. 528+82.15

F.A.P. RTE.	SECTION	COUNTY	TOTAL SHEETS	SHEET NO.
67	W(RS-6), (106)RS-4, BP	SANGAMON	486	404
CONTRACT NO. 72B37				
ILLINOIS FED. AID PROJECT				

DATE _____
 BY _____
 ORIGINAL SURVEY NO. _____
 SURVEYED PLOTTED AREAS CHECKED
 NOTE BOOK TEMPLATE AREAS CHECKED

DATE _____
 BY _____
 ORIGINAL SURVEY NO. _____
 SURVEYED PLOTTED AREAS CHECKED
 NOTE BOOK TEMPLATE AREAS CHECKED



V&K
 Veenstra & Kimm, Inc.
 Springfield, IL Phone: (217)544-8033

USER NAME = *USER*	DESIGNED - _____	REVISED - _____
PLOT SCALE = *SCALE*	DRAWN - _____	REVISED - _____
PLOT DATE = *DATE*	CHECKED - _____	REVISED - _____
	DATE - _____	REVISED - _____

**STATE OF ILLINOIS
 DEPARTMENT OF TRANSPORTATION**

CROSS SECTIONS

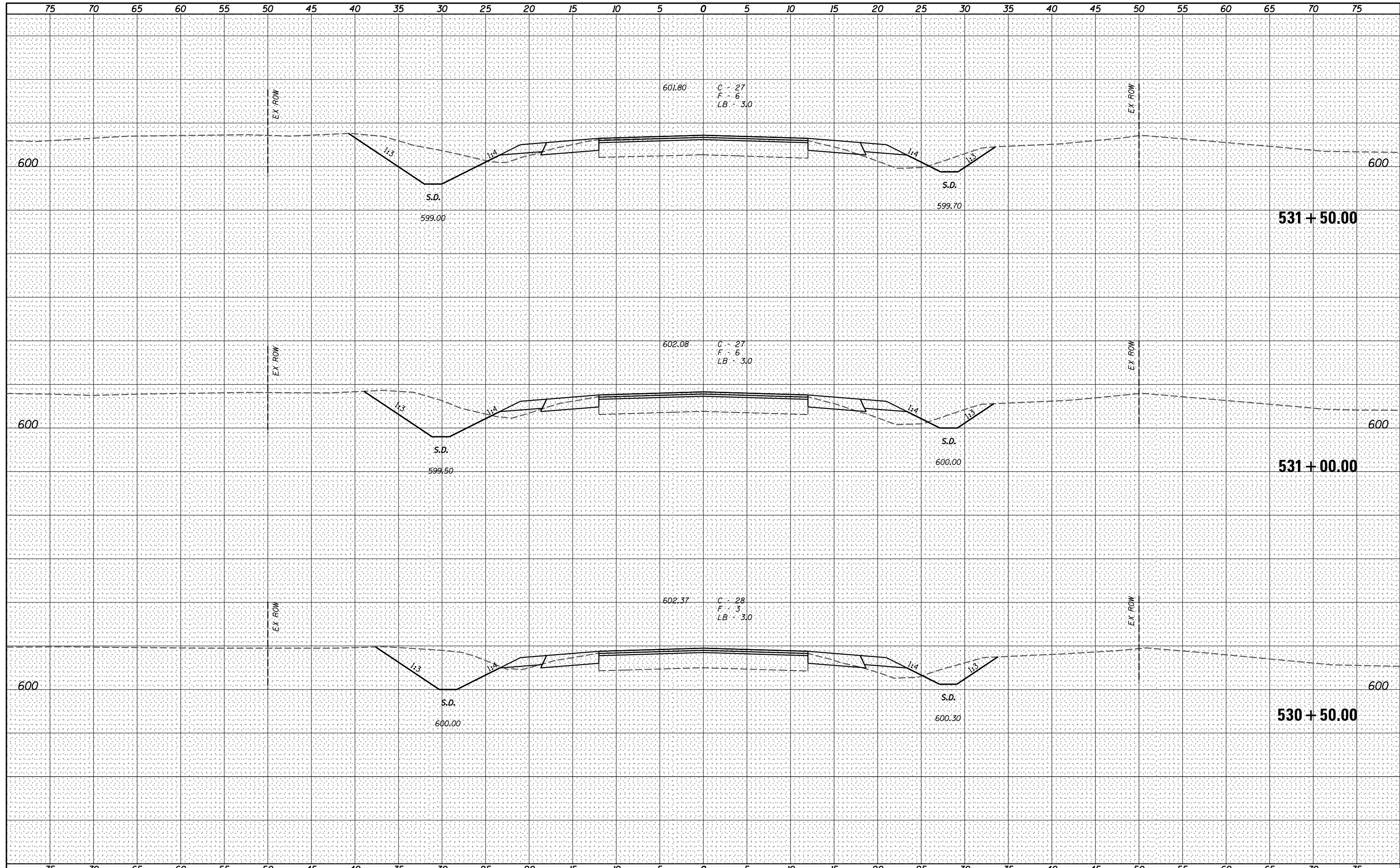
SCALE: _____ SHEET NO. 247 OF 319 SHEETS STA. 529+00.00 TO STA. 530+00.00

F.A.P. RTE.	SECTION	COUNTY	TOTAL SHEETS	SHEET NO.
67	W(RS-6), (106)RS-4, BP	SANGAMON	486	405

CONTRACT NO. 72B37
 ILLINOIS FED. AID PROJECT

DATE	
BY	
FINAL SURVEY	SURVEYED
NOTE BOOK	PLOTTED
NO.	TEMPLATE
	AREAS CHECKED
	AREAS CHECKED

DATE	
BY	
ORIGINAL SURVEY	SURVEYED
NOTE BOOK	PLOTTED
NO.	TEMPLATE
	AREAS CHECKED
	AREAS CHECKED



Veenstra & Kimm, Inc.
Springfield, IL Phone: (217)544-8033

USER NAME = *USER*	DESIGNED - _____	REVISED - _____
PLOT SCALE = *SCALE*	DRAWN - _____	REVISED - _____
PLOT DATE = *DATE*	CHECKED - _____	REVISED - _____
	DATE - _____	REVISED - _____

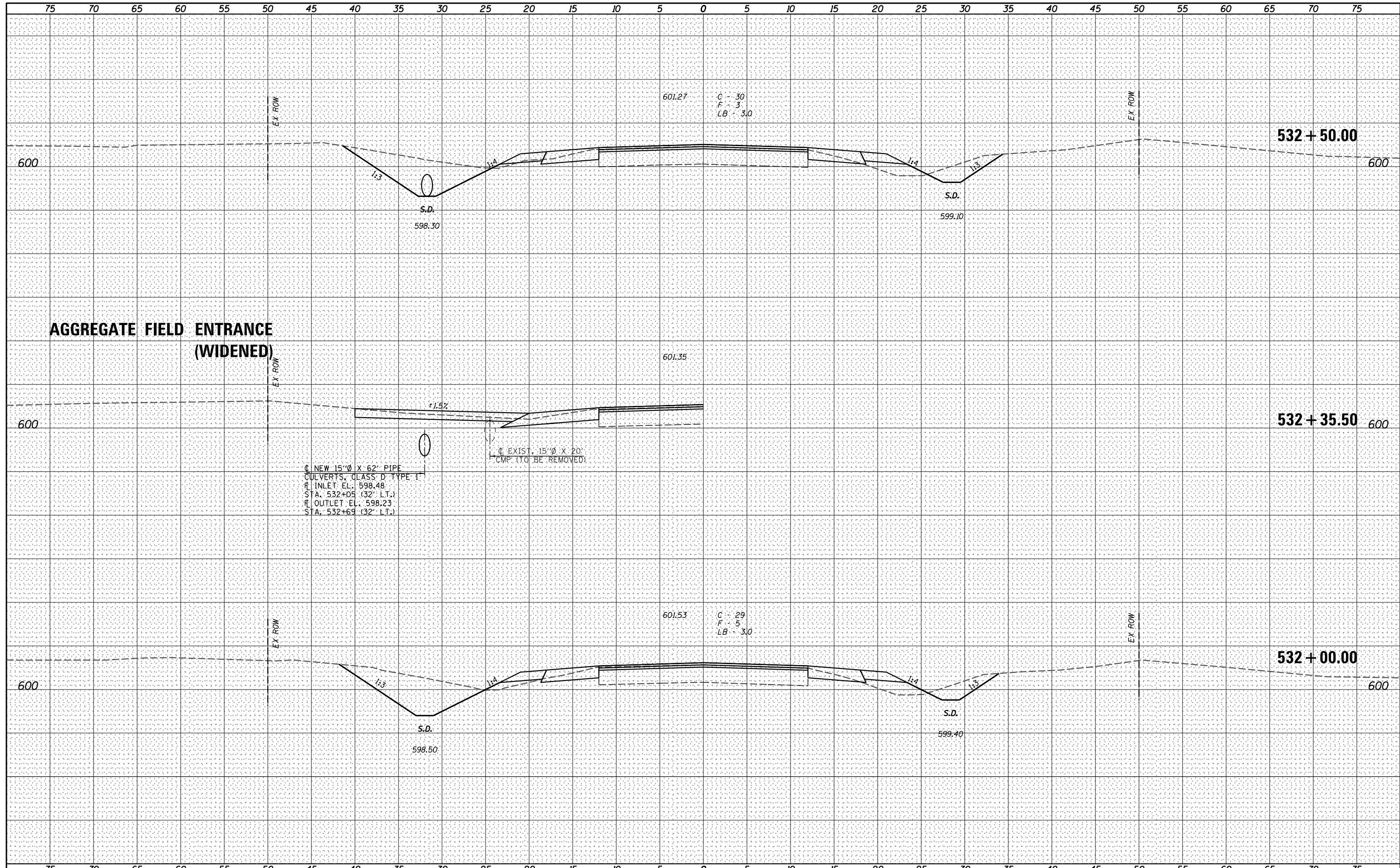
**STATE OF ILLINOIS
DEPARTMENT OF TRANSPORTATION**

CROSS SECTIONS
SCALE: _____ SHEET NO. 248 OF 319 SHEETS STA. 530+50.00 TO STA. 531+50.00

F.A.P. RTE.	SECTION	COUNTY	TOTAL SHEETS	SHEET NO.
67	W(RS-6), (106)RS-4, BP	SANGAMON	486	406
CONTRACT NO. 72B37			ILLINOIS FED. AID PROJECT	

DATE _____
 BY _____
 SURVEYED _____
 PLOTTED _____
 TEMPLATE _____
 NOTE BOOK _____
 AREAS CHECKED _____
 NO. _____

DATE _____
 BY _____
 SURVEYED _____
 PLOTTED _____
 TEMPLATE _____
 NOTE BOOK _____
 AREAS CHECKED _____
 NO. _____



**AGGREGATE FIELD ENTRANCE
(WIDENED)**

NEW 15'Ø X 62' PIPE
 CULVERTS, CLASS D TYPE 1
 INLET EL. 598.48
 STA. 532+05 (32' LT.)
 OUTLET EL. 598.23
 STA. 532+69 (32' LT.)

EXIST. 15'Ø X 20'
 CMP (TO BE REMOVED)



USER NAME = *USER*	DESIGNED - _____	REVISED - _____
	DRAWN - _____	REVISED - _____
PLOT SCALE = *SCALE*	CHECKED - _____	REVISED - _____
PLOT DATE = *DATE*	DATE - _____	REVISED - _____

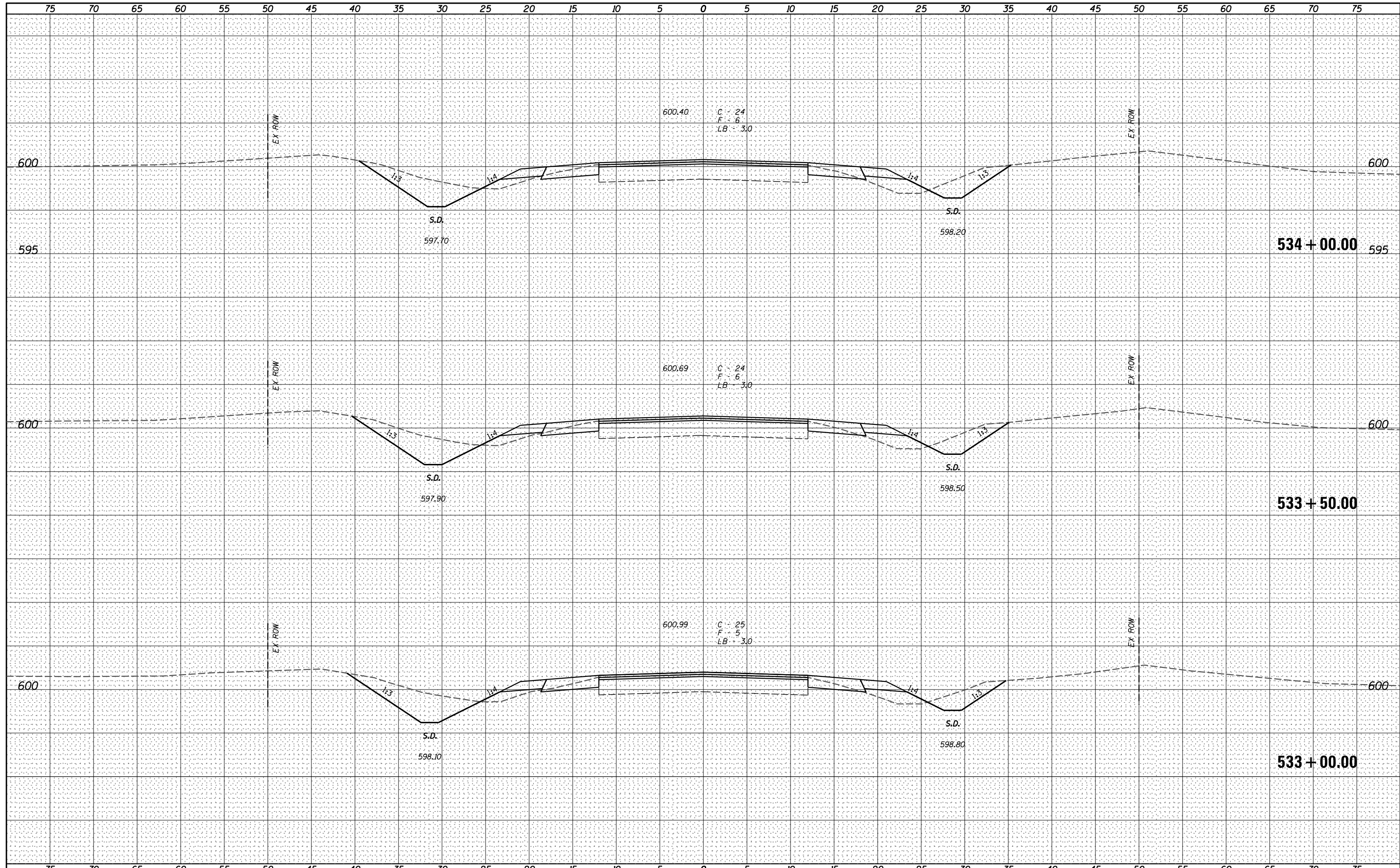
**STATE OF ILLINOIS
DEPARTMENT OF TRANSPORTATION**

CROSS SECTIONS
 SCALE: _____ SHEET NO. 249 OF 319 SHEETS STA. 532+00.00 TO STA. 532+50.00

F.A.P. RTE.	SECTION	COUNTY	TOTAL SHEETS	SHEET NO.
67	W(RS-6), (106)RS-4, BP	SANGAMON	486	407
CONTRACT NO. 72B37			ILLINOIS FED. AID PROJECT	

DATE _____
 BY _____
 SURVEYED _____
 PLOTTED _____
 TEMPLATE _____
 NOTE BOOK _____
 AREAS _____
 CHECKED _____
 NO. _____

DATE _____
 BY _____
 SURVEYED _____
 PLOTTED _____
 TEMPLATE _____
 NOTE BOOK _____
 AREAS _____
 CHECKED _____
 NO. _____



Veenstra & Kimm, Inc.
 Springfield, IL Phone: (217)544-8033

USER NAME = *USER*	DESIGNED - _____	REVISED - _____
	DRAWN - _____	REVISED - _____
PLOT SCALE = *SCALE*	CHECKED - _____	REVISED - _____
PLOT DATE = *DATE*	DATE - _____	REVISED - _____

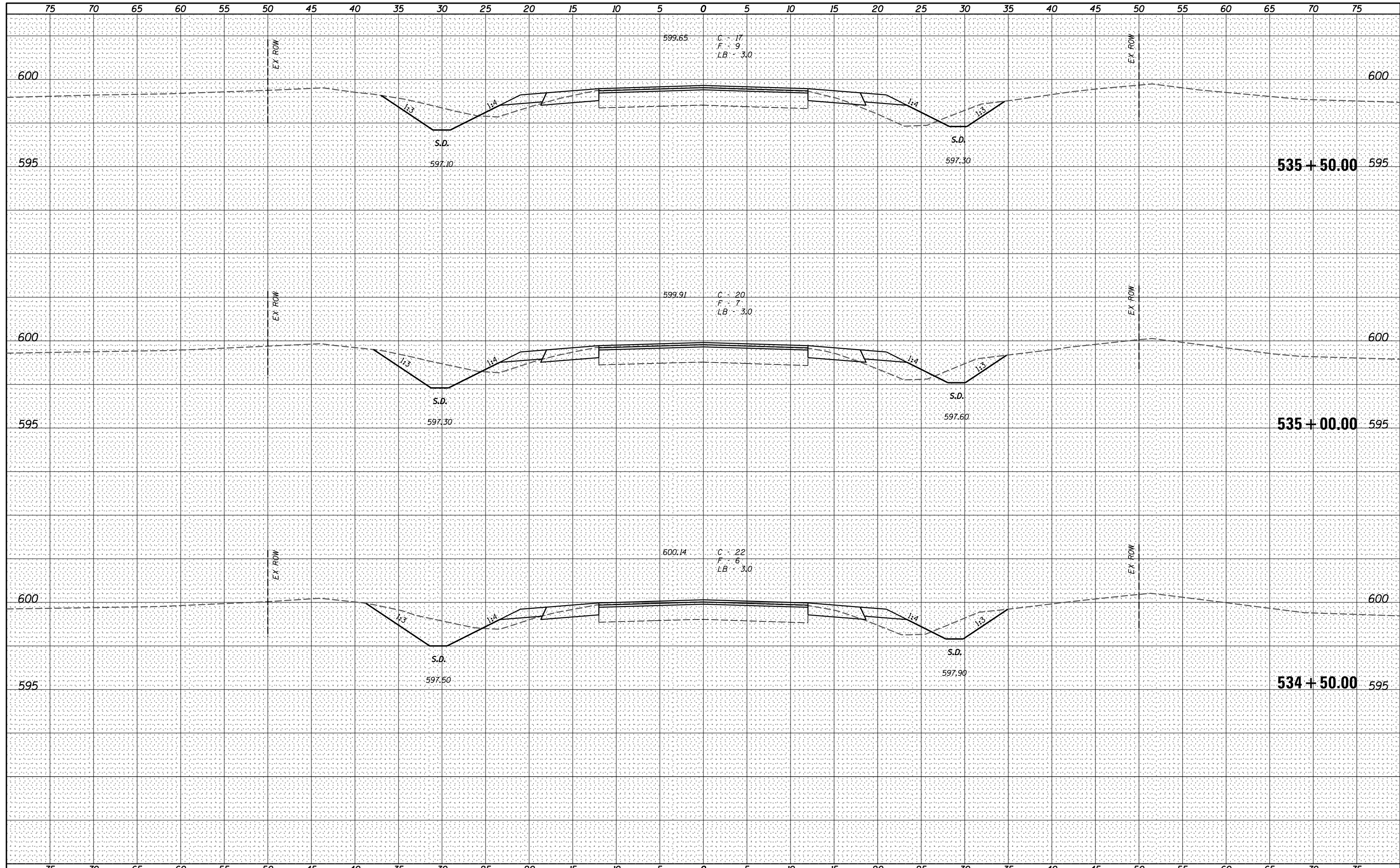
**STATE OF ILLINOIS
 DEPARTMENT OF TRANSPORTATION**

CROSS SECTIONS
 SCALE: _____ SHEET NO. 250 OF 319 SHEETS STA. 533+00.00 TO STA. 534+00.00

F.A.P. RTE.	SECTION	COUNTY	TOTAL SHEETS	SHEET NO.
67	W(RS-6), (106)RS-4, BP	SANGAMON	486	408
CONTRACT NO. 72B37			ILLINOIS FED. AID PROJECT	

DATE _____
 BY _____
 SURVEYED _____
 PLOTTED _____
 TEMPLATE _____
 NOTE BOOK _____
 AREAS CHECKED _____
 NO. _____

DATE _____
 BY _____
 SURVEYED _____
 PLOTTED _____
 TEMPLATE _____
 NOTE BOOK _____
 AREAS CHECKED _____
 NO. _____



V&K
 Veenstra & Kimm, Inc.
 Springfield, IL Phone: (217)544-8033

USER NAME = *USER*	DESIGNED - _____	REVISED - _____
PLOT SCALE = *SCALE*	DRAWN - _____	REVISED - _____
PLOT DATE = *DATE*	CHECKED - _____	REVISED - _____
	DATE - _____	REVISED - _____

**STATE OF ILLINOIS
 DEPARTMENT OF TRANSPORTATION**

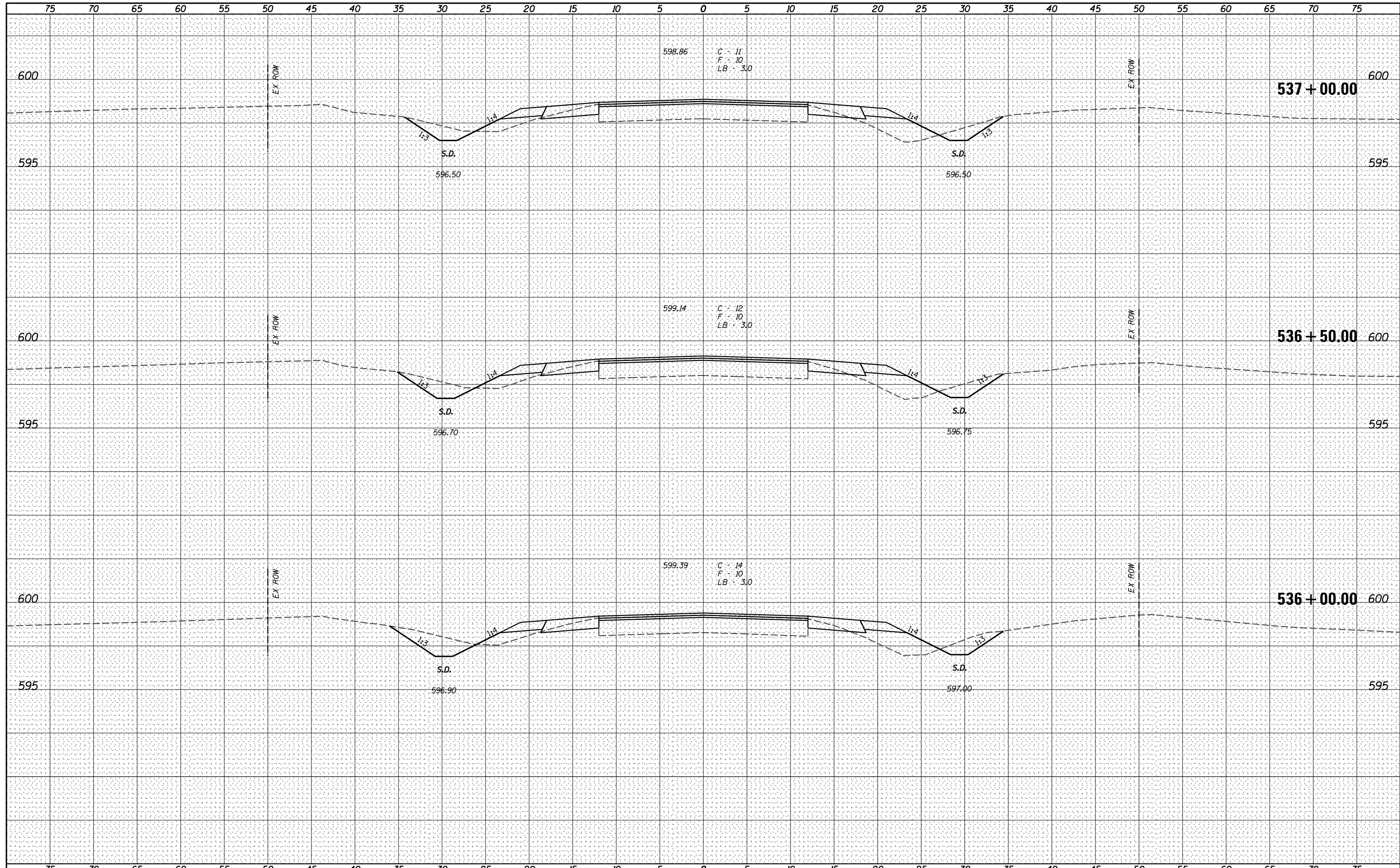
CROSS SECTIONS

SCALE: _____ SHEET NO. 251 OF 319 SHEETS STA. 534+50.00 TO STA. 535+50.00

F.A.P. RTE.	SECTION	COUNTY	TOTAL SHEETS	SHEET NO.
67	W(RS-6), (106)RS-4, BP	SANGAMON	486	409
CONTRACT NO. 72B37				
ILLINOIS FED. AID PROJECT				

DATE _____
 BY _____
 SURVEYED _____
 PLOTTED _____
 TEMPLATE _____
 NOTE BOOK _____
 AREAS CHECKED _____
 NO. _____

DATE _____
 BY _____
 SURVEYED _____
 PLOTTED _____
 TEMPLATE _____
 NOTE BOOK _____
 AREAS CHECKED _____
 NO. _____



V&K
 Veenstra & Kimm, Inc.
 Springfield, IL Phone: (217)544-8033

USER NAME = *USER*	DESIGNED - _____	REVISED - _____
PLOT SCALE = *SCALE*	DRAWN - _____	REVISED - _____
PLOT DATE = *DATE*	CHECKED - _____	REVISED - _____
	DATE - _____	REVISED - _____

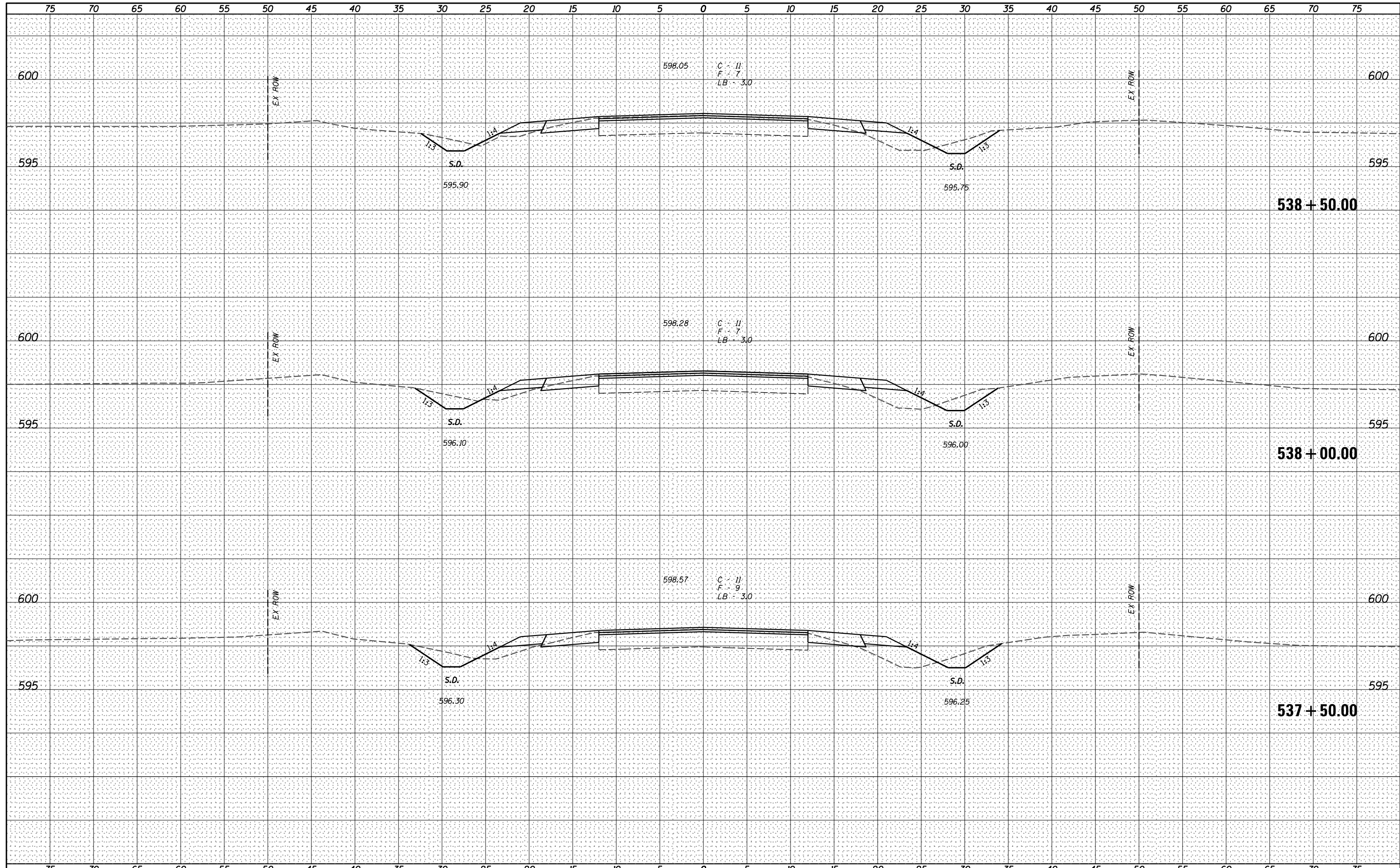
**STATE OF ILLINOIS
 DEPARTMENT OF TRANSPORTATION**

CROSS SECTIONS
 SCALE: _____ SHEET NO. 252 OF 319 SHEETS STA. 536+00.00 TO STA. 537+00.00

F.A.P. RTE.	SECTION	COUNTY	TOTAL SHEETS	SHEET NO.
67	W(RS-6), (106)RS-4, BP	SANGAMON	486	410
CONTRACT NO. 72B37				
ILLINOIS FED. AID PROJECT				

DATE _____
 BY _____
 SURVEYED _____
 PLOTTED _____
 TEMPLATE _____
 NOTE BOOK _____
 AREAS CHECKED _____
 NO. _____

DATE _____
 BY _____
 SURVEYED _____
 PLOTTED _____
 TEMPLATE _____
 NOTE BOOK _____
 AREAS CHECKED _____
 NO. _____



V&K
 Veenstra & Kimm, Inc.
 Springfield, IL Phone: (217)544-8033

USER NAME = *USER*	DESIGNED - _____	REVISED - _____
PLOT SCALE = *SCALE*	DRAWN - _____	REVISED - _____
PLOT DATE = *DATE*	CHECKED - _____	REVISED - _____
	DATE - _____	REVISED - _____

**STATE OF ILLINOIS
 DEPARTMENT OF TRANSPORTATION**

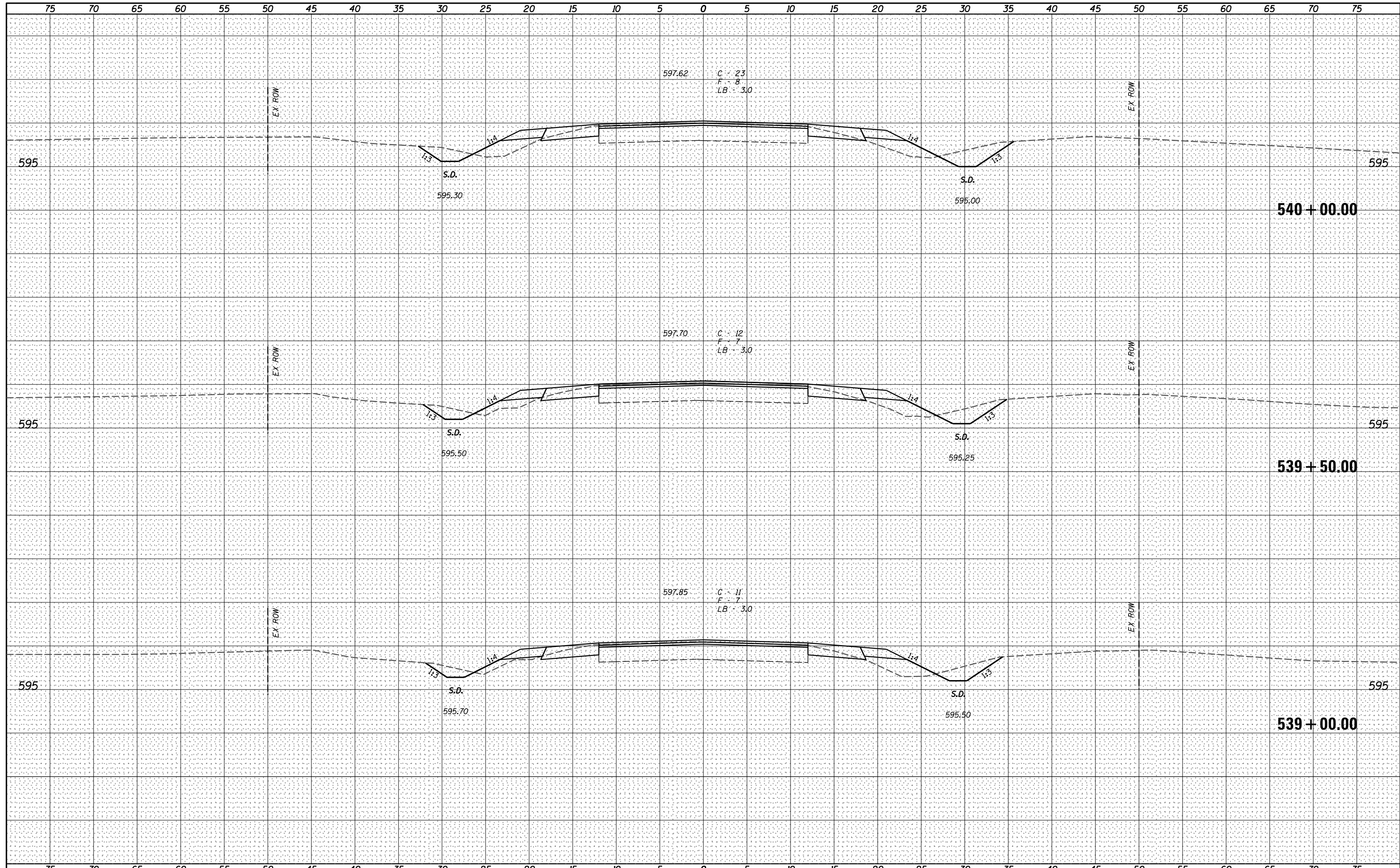
CROSS SECTIONS
 SCALE: _____ SHEET NO. 253 OF 319 SHEETS STA. 537+50.00 TO STA. 538+50.00

F.A.P. RTE.	SECTION	COUNTY	TOTAL SHEETS	SHEET NO.
67	W(RS-6), (106)RS-4, BP	SANGAMON	486	411

CONTRACT NO. 72B37
 ILLINOIS FED. AID PROJECT

DATE _____
 BY _____
 SURVEYED _____
 PLOTTED _____
 TEMPLATE _____
 NOTE BOOK _____
 AREAS CHECKED _____
 NO. _____

DATE _____
 BY _____
 SURVEYED _____
 PLOTTED _____
 TEMPLATE _____
 NOTE BOOK _____
 AREAS CHECKED _____
 NO. _____



Veenstra & Kimm, Inc.
 Springfield, IL Phone: (217)544-8033

USER NAME = *USER*	DESIGNED - _____	REVISED - _____
	DRAWN - _____	REVISED - _____
PLOT SCALE = *SCALE*	CHECKED - _____	REVISED - _____
PLOT DATE = *DATE*	DATE - _____	REVISED - _____

**STATE OF ILLINOIS
 DEPARTMENT OF TRANSPORTATION**

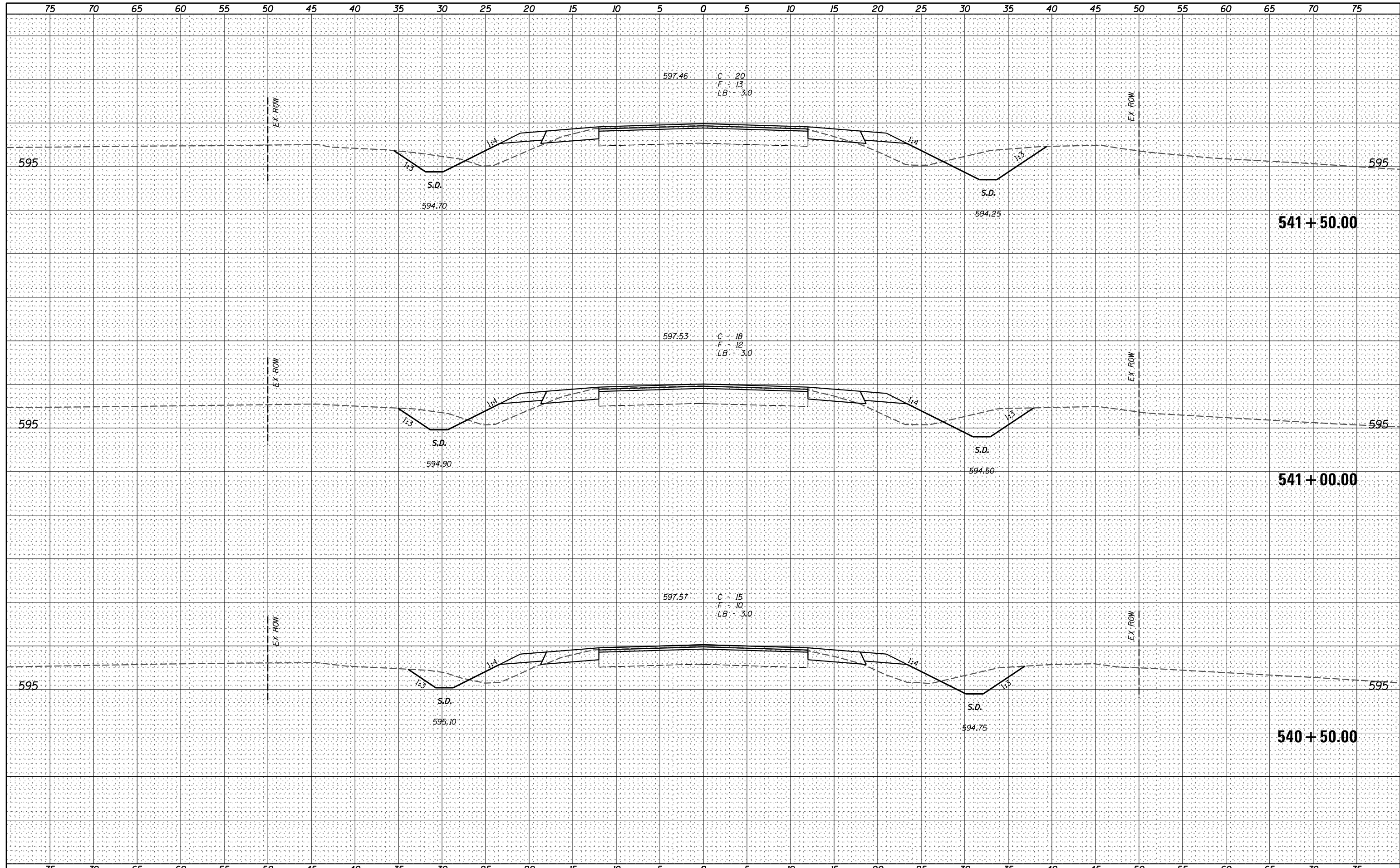
CROSS SECTIONS

SCALE: _____ SHEET NO. 254 OF 319 SHEETS STA. 539+00.00 TO STA. 540+00.00

F.A.P. RTE.	SECTION	COUNTY	TOTAL SHEETS	SHEET NO.
67	W(RS-6), (106)RS-4, BP	SANGAMON	486	412
CONTRACT NO. 72B37				
ILLINOIS FED. AID PROJECT				

DATE _____
 BY _____
 ORIGINAL SURVEY NO. _____
 SURVEYED PLOTTED AREAS CHECKED
 FINISHED SURVEY NO. _____
 SURVEYED PLOTTED AREAS CHECKED

DATE _____
 BY _____
 ORIGINAL SURVEY NO. _____
 SURVEYED PLOTTED AREAS CHECKED
 FINISHED SURVEY NO. _____
 SURVEYED PLOTTED AREAS CHECKED



Veenstra & Kimm, Inc.
 Springfield, IL Phone: (217)544-8033

USER NAME = *USER*	DESIGNED - _____	REVISED - _____
PLOT SCALE = *SCALE*	DRAWN - _____	REVISED - _____
PLOT DATE = *DATE*	CHECKED - _____	REVISED - _____
	DATE - _____	REVISED - _____

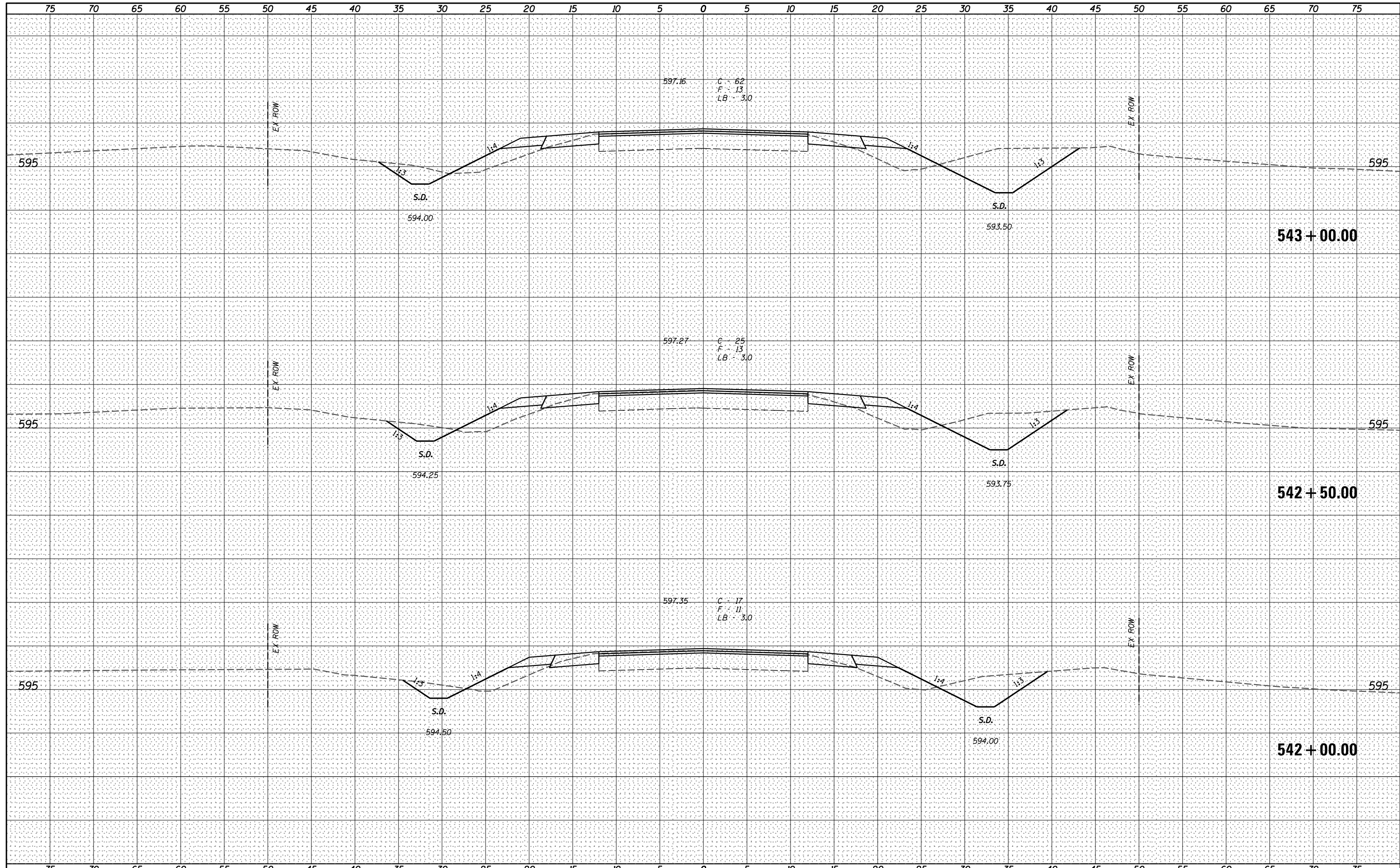
**STATE OF ILLINOIS
 DEPARTMENT OF TRANSPORTATION**

CROSS SECTIONS
 SCALE: _____ SHEET NO. 255 OF 319 SHEETS STA. 540+50.00 TO STA. 541+50.00

F.A.P. RTE.	SECTION	COUNTY	TOTAL SHEETS	SHEET NO.
67	W(RS-6), (106)RS-4, BP	SANGAMON	486	413
CONTRACT NO. 72B37				
ILLINOIS FED. AID PROJECT				

DATE _____
 BY _____
 SURVEYED _____
 PLOTTED _____
 TEMPLATE _____
 NOTE BOOK _____
 AREAS CHECKED _____
 NO. _____

DATE _____
 BY _____
 SURVEYED _____
 PLOTTED _____
 TEMPLATE _____
 NOTE BOOK _____
 AREAS CHECKED _____
 NO. _____



V&K
 Veenstra & Kimm, Inc.
 Springfield, IL Phone: (217)544-8033

USER NAME = *USER*	DESIGNED - _____	REVISED - _____
PLOT SCALE = *SCALE*	DRAWN - _____	REVISED - _____
PLOT DATE = *DATE*	CHECKED - _____	REVISED - _____
	DATE - _____	REVISED - _____

**STATE OF ILLINOIS
 DEPARTMENT OF TRANSPORTATION**

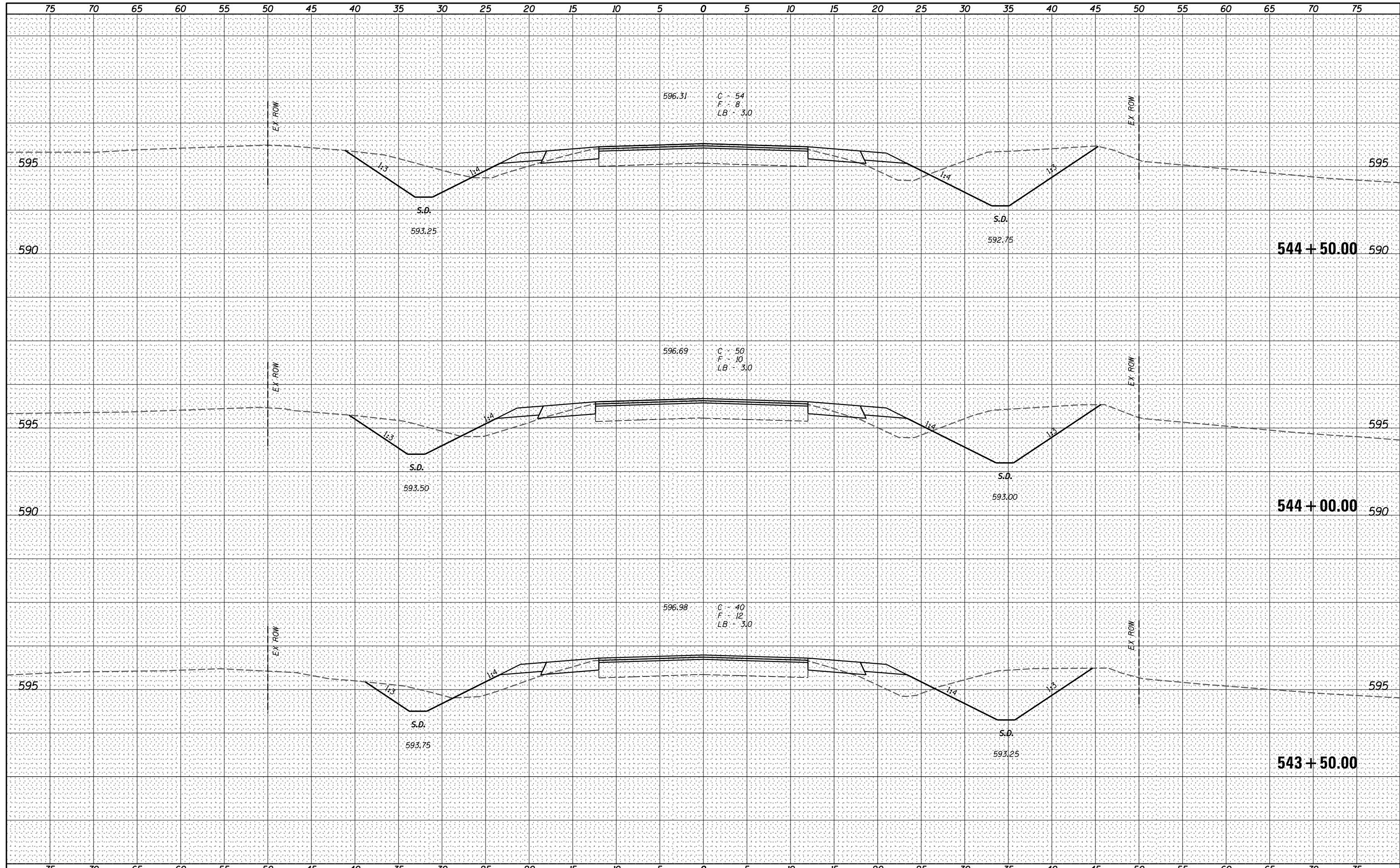
CROSS SECTIONS

SCALE: _____ SHEET NO. 256 OF 319 SHEETS STA. 542+00.00 TO STA. 543+00.00

F.A.P. RTE.	SECTION	COUNTY	TOTAL SHEETS	SHEET NO.
67	W(RS-6), (106)RS-4, BP	SANGAMON	486	414
CONTRACT NO. 72B37				
ILLINOIS FED. AID PROJECT				

DATE _____
 BY _____
 SURVEYED _____
 PLOTTED _____
 TEMPLATE _____
 AREAS CHECKED _____
 ORIGINAL SURVEY NO. _____

DATE _____
 BY _____
 SURVEYED _____
 PLOTTED _____
 TEMPLATE _____
 AREAS CHECKED _____
 ORIGINAL SURVEY NO. _____



Veenstra & Kimm, Inc.
 Springfield, IL Phone: (217)544-8033

USER NAME = *USER*	DESIGNED - _____	REVISED - _____
PLOT SCALE = *SCALE*	DRAWN - _____	REVISED - _____
PLOT DATE = *DATE*	CHECKED - _____	REVISED - _____
	DATE - _____	REVISED - _____

**STATE OF ILLINOIS
 DEPARTMENT OF TRANSPORTATION**

CROSS SECTIONS

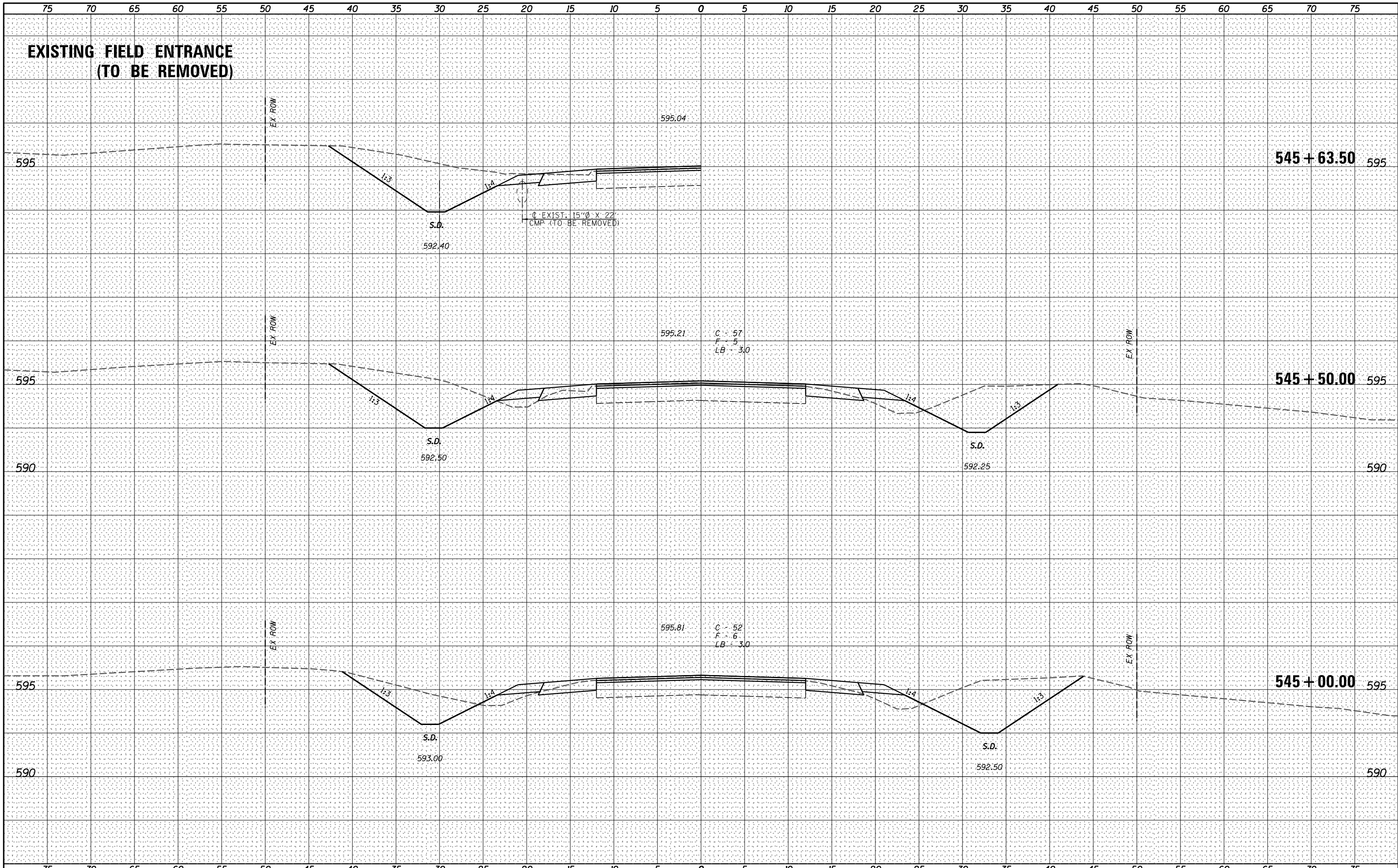
SCALE: _____ SHEET NO. 257 OF 319 SHEETS STA. 543+50.00 TO STA. 544+50.00

F.A.P. RTE.	SECTION	COUNTY	TOTAL SHEETS	SHEET NO.
67	W(RS-6), (106)RS-4, BP	SANGAMON	486	415
CONTRACT NO. 72B37				
ILLINOIS FED. AID PROJECT				

**EXISTING FIELD ENTRANCE
(TO BE REMOVED)**

DATE	
BY	
FINAL SURVEY	SURVEYED
NOTE BOOK	PLOTTED
NO.	TEMPLATE
	AREAS
	CHECKED

DATE	
BY	
ORIGINAL SURVEY	SURVEYED
NOTE BOOK	PLOTTED
NO.	TEMPLATE
	AREAS
	CHECKED



Veenstra & Kimm, Inc.
Springfield, IL Phone: (217)544-8033

USER NAME = *USER*	DESIGNED - _____	REVISED - _____
PLOT SCALE = *SCALE*	DRAWN - _____	REVISED - _____
PLOT DATE = *DATE*	CHECKED - _____	REVISED - _____
	DATE - _____	REVISED - _____

**STATE OF ILLINOIS
DEPARTMENT OF TRANSPORTATION**

CROSS SECTIONS

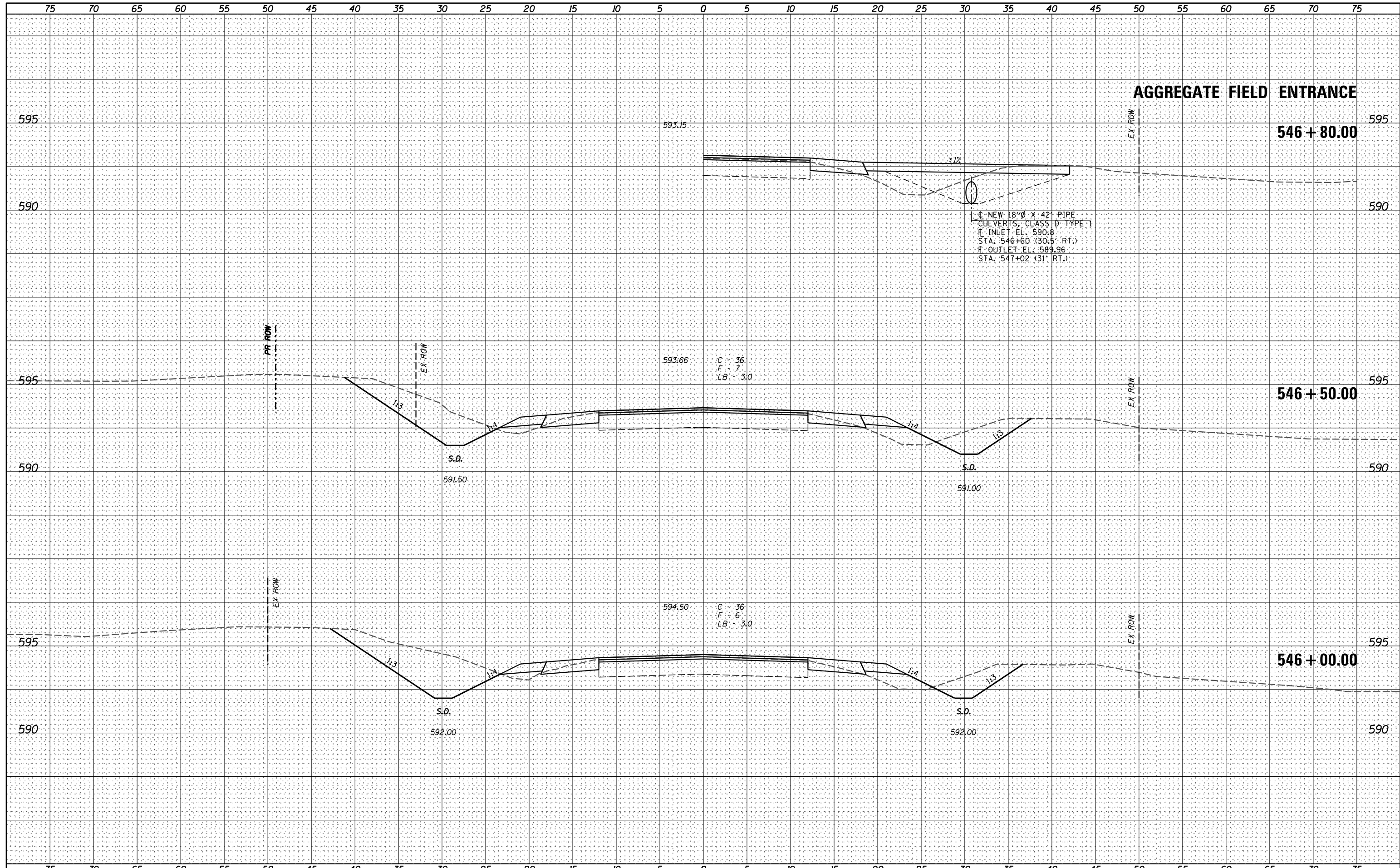
SCALE: _____ SHEET NO. 258 OF 319 SHEETS STA. 545+00.00 TO STA. 545+63.49

F.A.P. RTE.	SECTION	COUNTY	TOTAL SHEETS	SHEET NO.
67	W(RS-6), (106)RS-4, BP	SANGAMON	486	416
CONTRACT NO. 72B37				

ILLINOIS FED. AID PROJECT

DATE	
BY	
FINAL SURVEY	SURVEYED
NOTE BOOK	PLOTTED
NO.	TEMPLATE
	AREAS CHECKED
	AREAS CHECKED

DATE	
BY	
ORIGINAL SURVEY	SURVEYED
NOTE BOOK	PLOTTED
NO.	TEMPLATE
	AREAS CHECKED
	AREAS CHECKED



V&K
Veenstra & Kimm, Inc.
 Springfield, IL Phone: (217)544-8033

USER NAME = *USER*	DESIGNED - _____	REVISED - _____
	DRAWN - _____	REVISED - _____
PLOT SCALE = *SCALE*	CHECKED - _____	REVISED - _____
PLOT DATE = *DATE*	DATE - _____	REVISED - _____

**STATE OF ILLINOIS
 DEPARTMENT OF TRANSPORTATION**

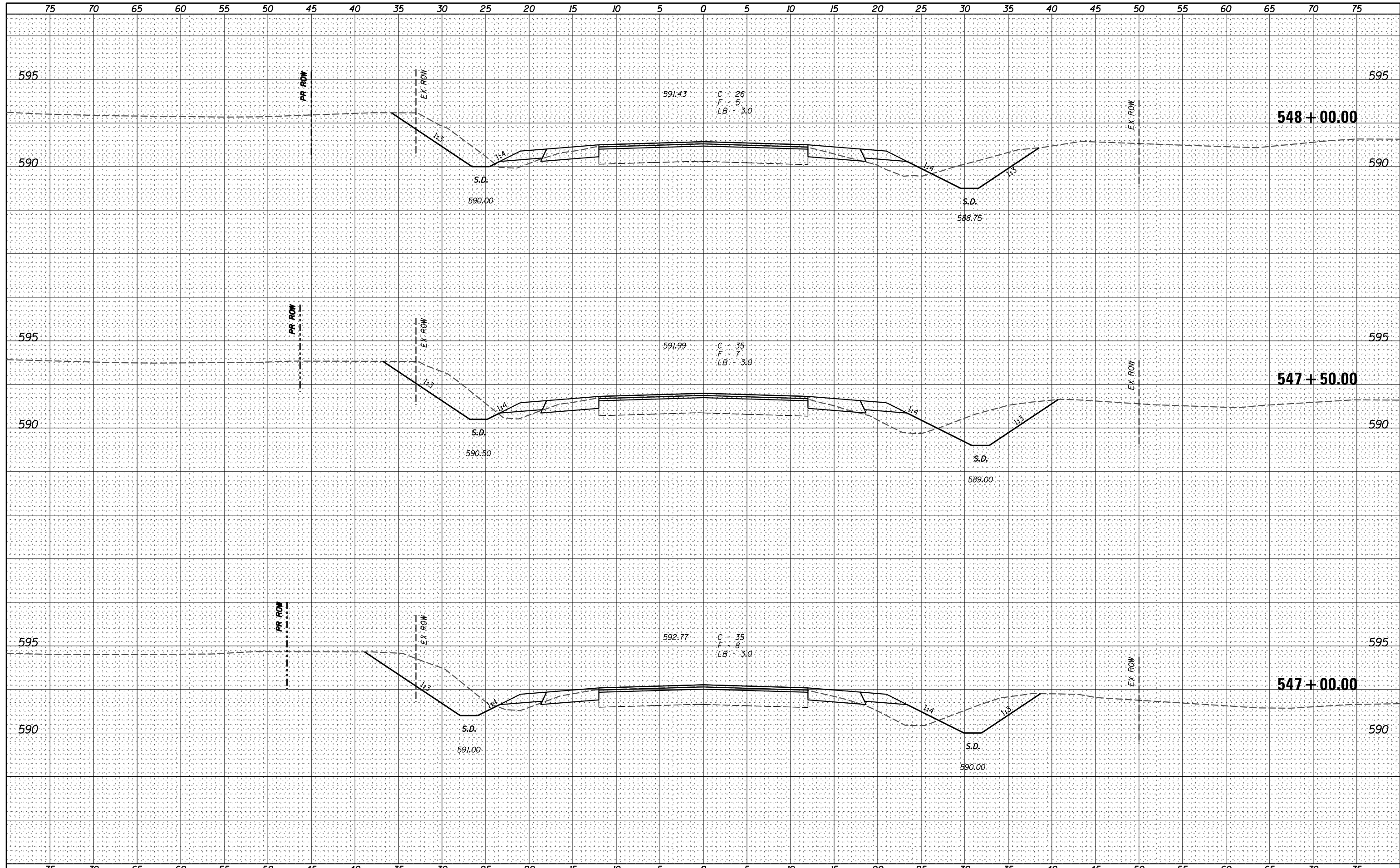
CROSS SECTIONS

SCALE: _____ SHEET NO. 259 OF 319 SHEETS STA. 546+00.00 TO STA. 547+00.00

F.A.P. RTE.	SECTION	COUNTY	TOTAL SHEETS	SHEET NO.
67	W(RS-6), (106)RS-4, BP	SANGAMON	486	417
CONTRACT NO. 72B37				
ILLINOIS FED. AID PROJECT				

DATE _____
 BY _____
 SURVEYED _____
 PLOTTED _____
 TEMPLATE _____
 NOTE BOOK _____
 AREAS CHECKED _____
 NO. _____

DATE _____
 BY _____
 SURVEYED _____
 PLOTTED _____
 TEMPLATE _____
 NOTE BOOK _____
 AREAS CHECKED _____
 NO. _____



V&K
 Veenstra & Kimm, Inc.
 Springfield, IL Phone: (217)544-8033

USER NAME = *USER*	DESIGNED - _____	REVISED - _____
PLOT SCALE = *SCALE*	DRAWN - _____	REVISED - _____
PLOT DATE = *DATE*	CHECKED - _____	REVISED - _____
	DATE - _____	REVISED - _____

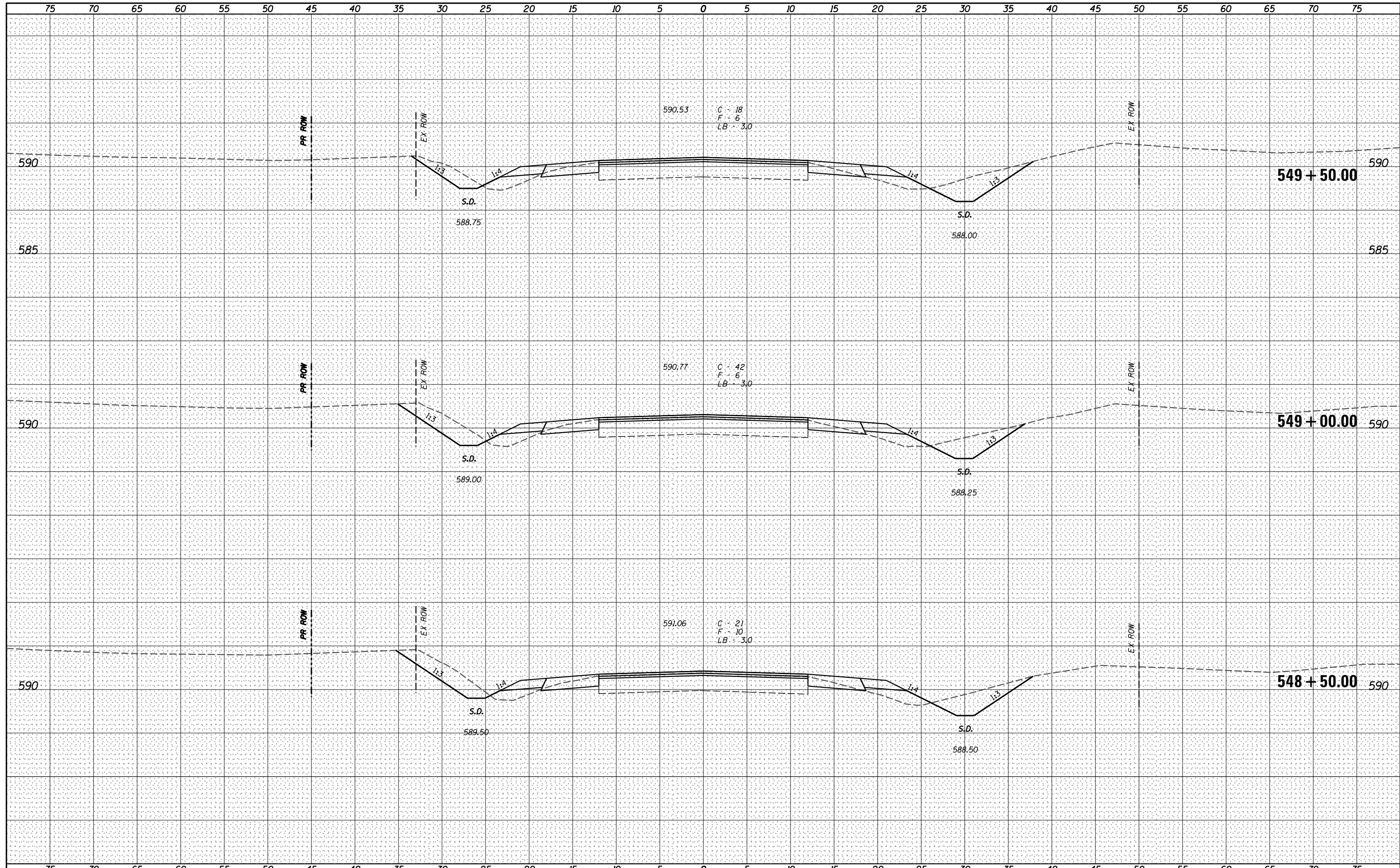
**STATE OF ILLINOIS
 DEPARTMENT OF TRANSPORTATION**

CROSS SECTIONS
 SCALE: _____ SHEET NO. 260 OF 319 SHEETS STA. 547+50.00 TO STA. 548+00.00

F.A.P. RTE.	SECTION	COUNTY	TOTAL SHEETS	SHEET NO.
67	W(RS-6), (106)RS-4, BP	SANGAMON	486	418
CONTRACT NO. 72B37				
ILLINOIS FED. AID PROJECT				

DATE _____
 BY _____
 ORIGINAL SURVEY NO. _____
 SURVEYED PLOTTED AREAS CHECKED
 TEMPLATE AREAS CHECKED
 NOTE BOOK NO. _____

DATE _____
 BY _____
 ORIGINAL SURVEY NO. _____
 SURVEYED PLOTTED AREAS CHECKED
 TEMPLATE AREAS CHECKED
 NOTE BOOK NO. _____



USER NAME = *USER*	DESIGNED - _____	REVISED - _____
PLOT SCALE = *SCALE*	DRAWN - _____	REVISED - _____
PLOT DATE = *DATE*	CHECKED - _____	REVISED - _____
	DATE - _____	REVISED - _____

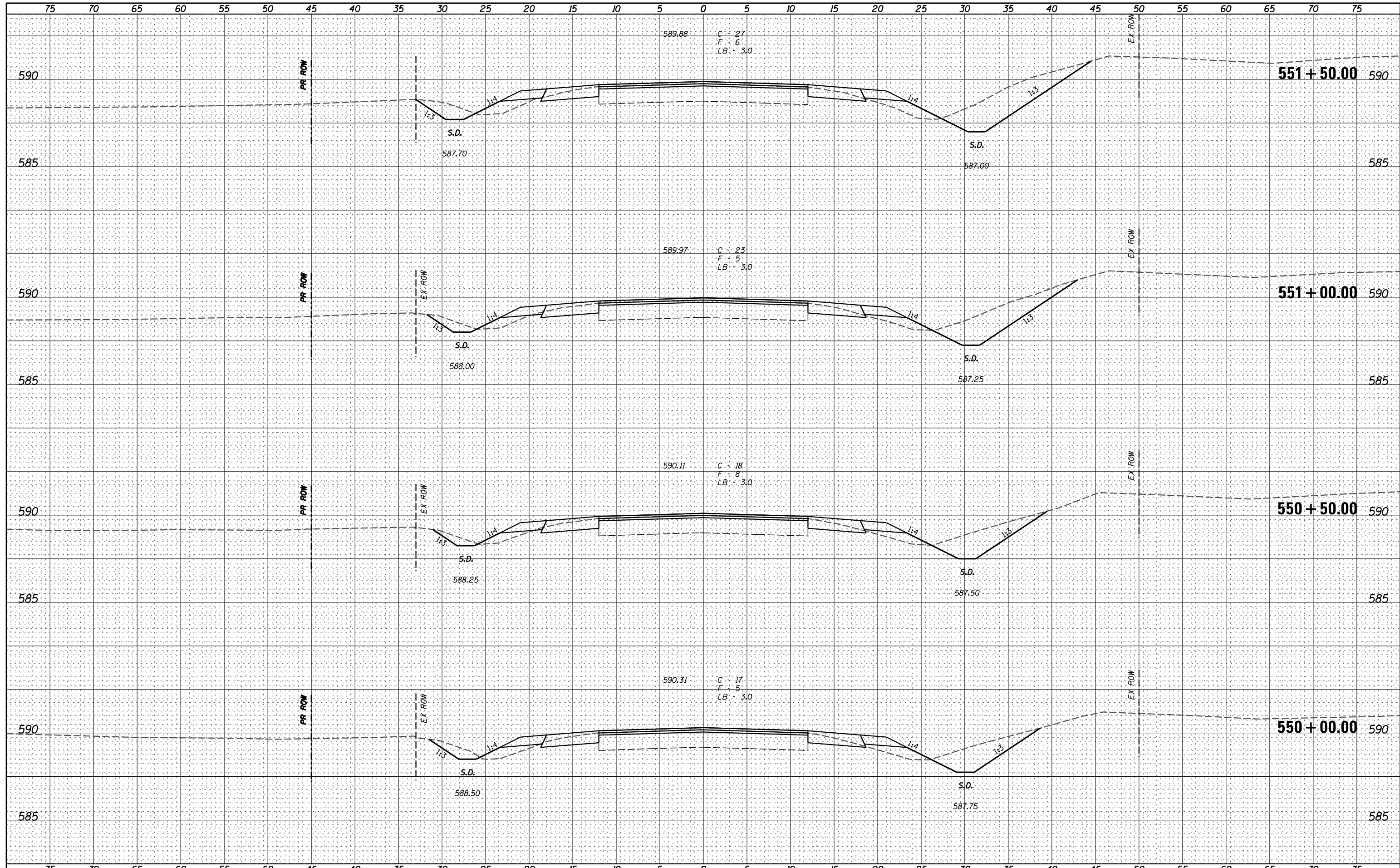
**STATE OF ILLINOIS
 DEPARTMENT OF TRANSPORTATION**

CROSS SECTIONS
 SCALE: _____ SHEET NO. 261 OF 319 SHEETS STA. 548+50.00 TO STA. 549+50.00

F.A.P. RTE.	SECTION	COUNTY	TOTAL SHEETS	SHEET NO.
67	W(RS-6), (106)RS-4, BP	SANGAMON	486	419
CONTRACT NO. 72B37				
ILLINOIS FED. AID PROJECT				

DATE _____
 BY _____
 ORIGINAL SURVEY PLOTTED _____
 SURVEY PLOTTED _____
 NOTE BOOK _____
 AREAS _____
 AREAS CHECKED _____

DATE _____
 BY _____
 ORIGINAL SURVEY PLOTTED _____
 SURVEY PLOTTED _____
 NOTE BOOK _____
 AREAS _____
 AREAS CHECKED _____



V&K
 Veenstra & Kimm, Inc.
 Springfield, IL Phone: (217)544-8033

USER NAME = *USER*	DESIGNED - _____	REVISED - _____
PLOT SCALE = *SCALE*	DRAWN - _____	REVISED - _____
PLOT DATE = *DATE*	CHECKED - _____	REVISED - _____
	DATE - _____	REVISED - _____

**STATE OF ILLINOIS
 DEPARTMENT OF TRANSPORTATION**

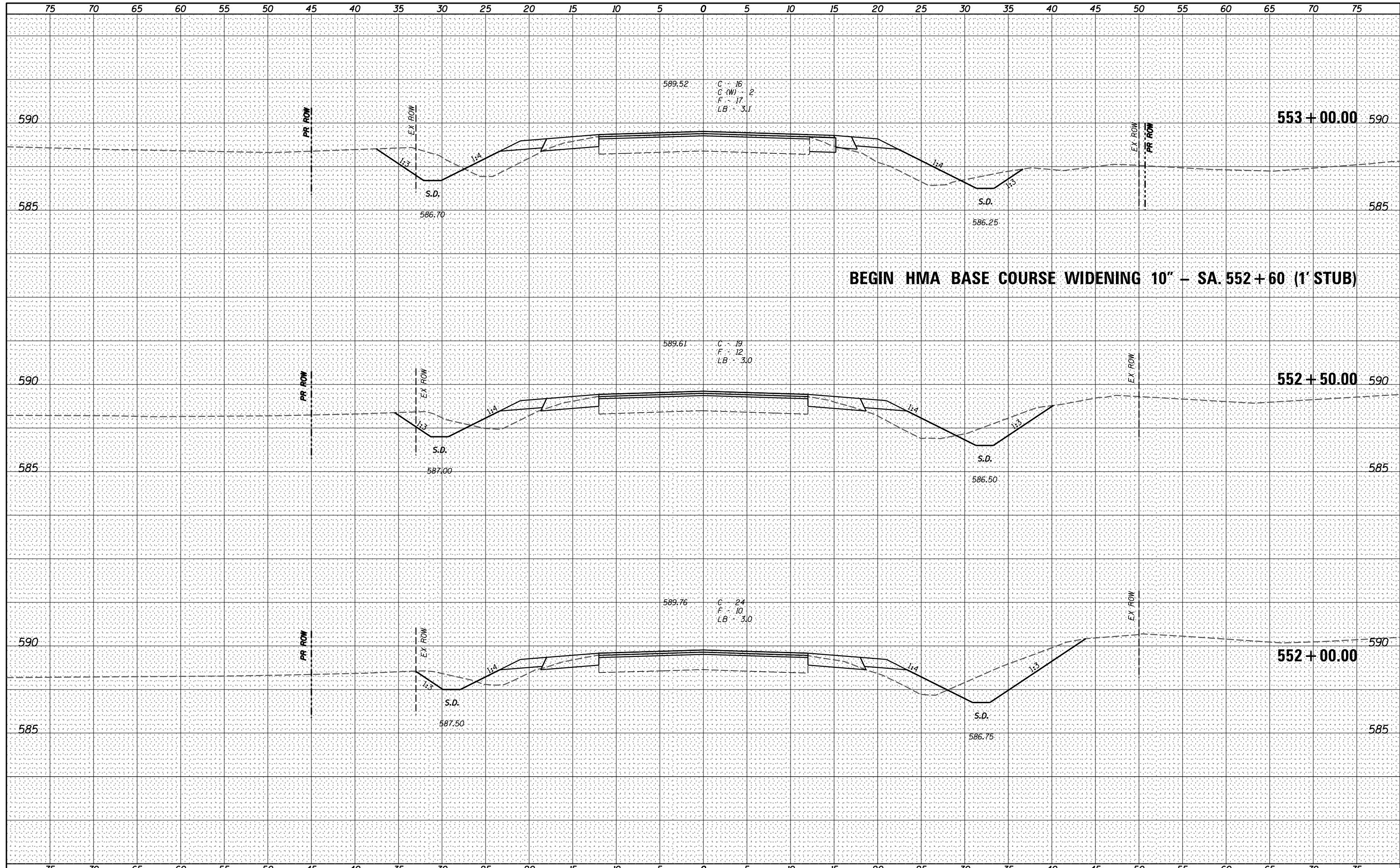
CROSS SECTIONS
 SCALE: _____ SHEET NO. 262 OF 319 SHEETS STA. 550+00.00 TO STA. 551+50.00

F.A.P. RTE.	SECTION	COUNTY	TOTAL SHEETS	SHEET NO.
67	W(RS-6), (106)RS-4, BP	SANGAMON	486	420
CONTRACT NO. 72B37				

ILLINOIS FED. AID PROJECT

DATE	
BY	
FINAL SURVEY	SURVEYED
NOTE BOOK	PLOTTED
NO.	TEMPLATE
	AREAS CHECKED

DATE	
BY	
ORIGINAL SURVEY	SURVEYED
NOTE BOOK	PLOTTED
NO.	TEMPLATE
	AREAS CHECKED



BEGIN HMA BASE COURSE WIDENING 10" - SA. 552+60 (1' STUB)

V&K
Veenstra & Kimm, Inc.
 Springfield, IL Phone: (217)544-8033

USER NAME = *USERS*	DESIGNED - _____	REVISED - _____
PLOT SCALE = *SCALE*	DRAWN - _____	REVISED - _____
PLOT DATE = *DATE*	CHECKED - _____	REVISED - _____
	DATE - _____	REVISED - _____

STATE OF ILLINOIS
DEPARTMENT OF TRANSPORTATION

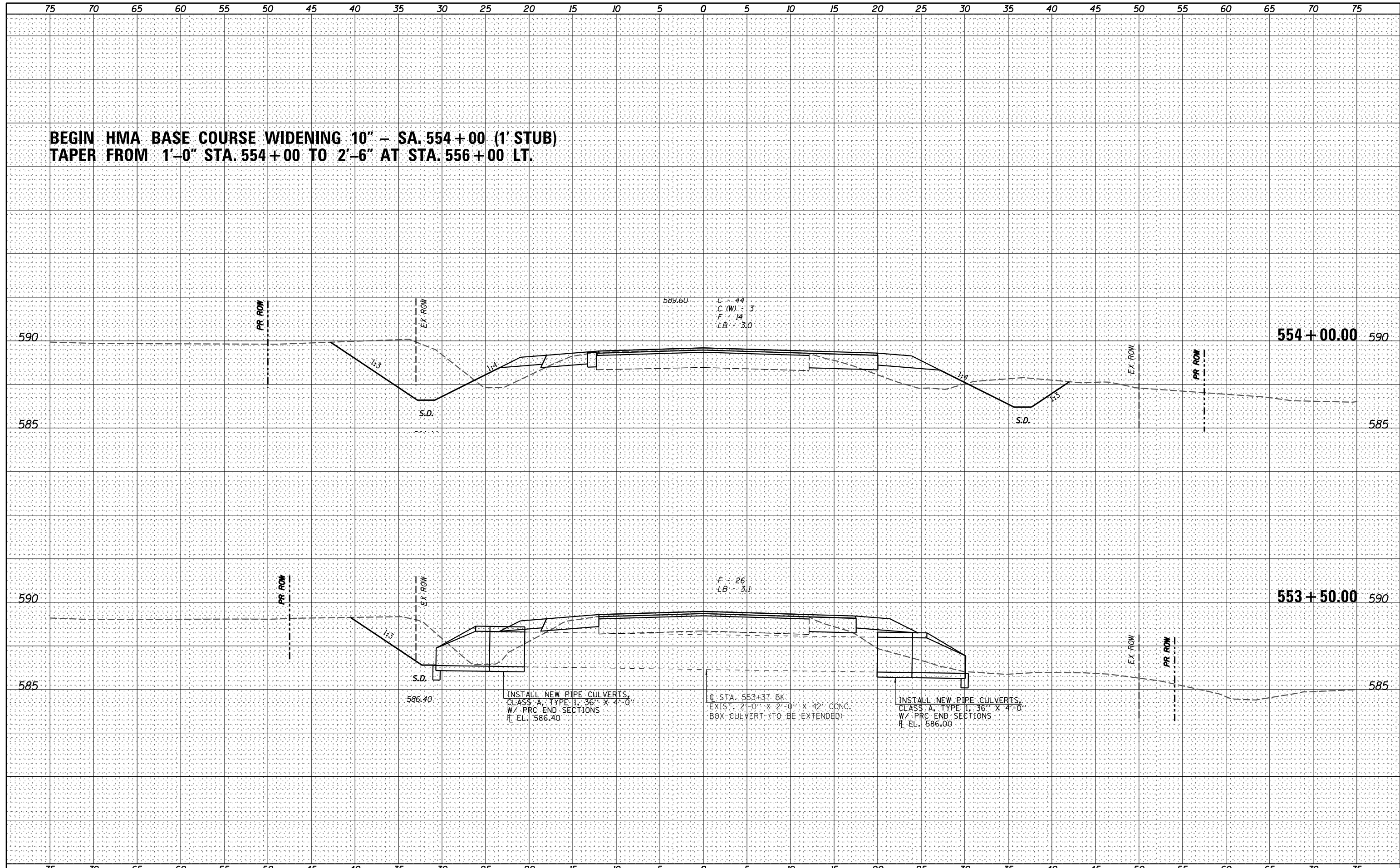
CROSS SECTIONS
 SCALE: _____ SHEET NO. 263 OF 319 SHEETS STA. 551+50.00 TO STA. 553+00.00

F.A.P. RTE.	SECTION	COUNTY	TOTAL SHEETS	SHEET NO.
67	W(RS)-6, (106)RS-4, BP	SANGAMON	486	421
CONTRACT NO. 72B37			ILLINOIS FED. AID PROJECT	

**BEGIN HMA BASE COURSE WIDENING 10" - SA. 554+00 (1' STUB)
TAPER FROM 1'-0" STA. 554+00 TO 2'-6" AT STA. 556+00 LT.**

DATE	
BY	
FINAL SURVEY	SURVEYED
NOTE BOOK	PLOTTED
NO.	TEMPLATE
	AREAS CHECKED

DATE	
BY	
ORIGINAL SURVEY	SURVEYED
NOTE BOOK	PLOTTED
NO.	TEMPLATE
	AREAS CHECKED



589.60
C - 44
C (W) : 3
F - 14
LB - 3.0

F - 26
LB - 3.1

INSTALL NEW PIPE CULVERTS,
CLASS A, TYPE II, 36" X 4'-0"
W/ PRC END SECTIONS
E EL. 586.40

Q STA. 553+37. BK.
EXIST. 2'-0" X 2'-0" X 42" CONC.
BOX CULVERT (TO BE EXTENDED)

INSTALL NEW PIPE CULVERTS,
CLASS A, TYPE II, 36" X 4'-0"
W/ PRC END SECTIONS
E EL. 586.00



USER NAME : *USER*	DESIGNED - _____	REVISED - _____
PLOT SCALE : *SCALE*	DRAWN - _____	REVISED - _____
PLOT DATE : *DATE*	CHECKED - _____	REVISED - _____
	DATE - _____	REVISED - _____

**STATE OF ILLINOIS
DEPARTMENT OF TRANSPORTATION**

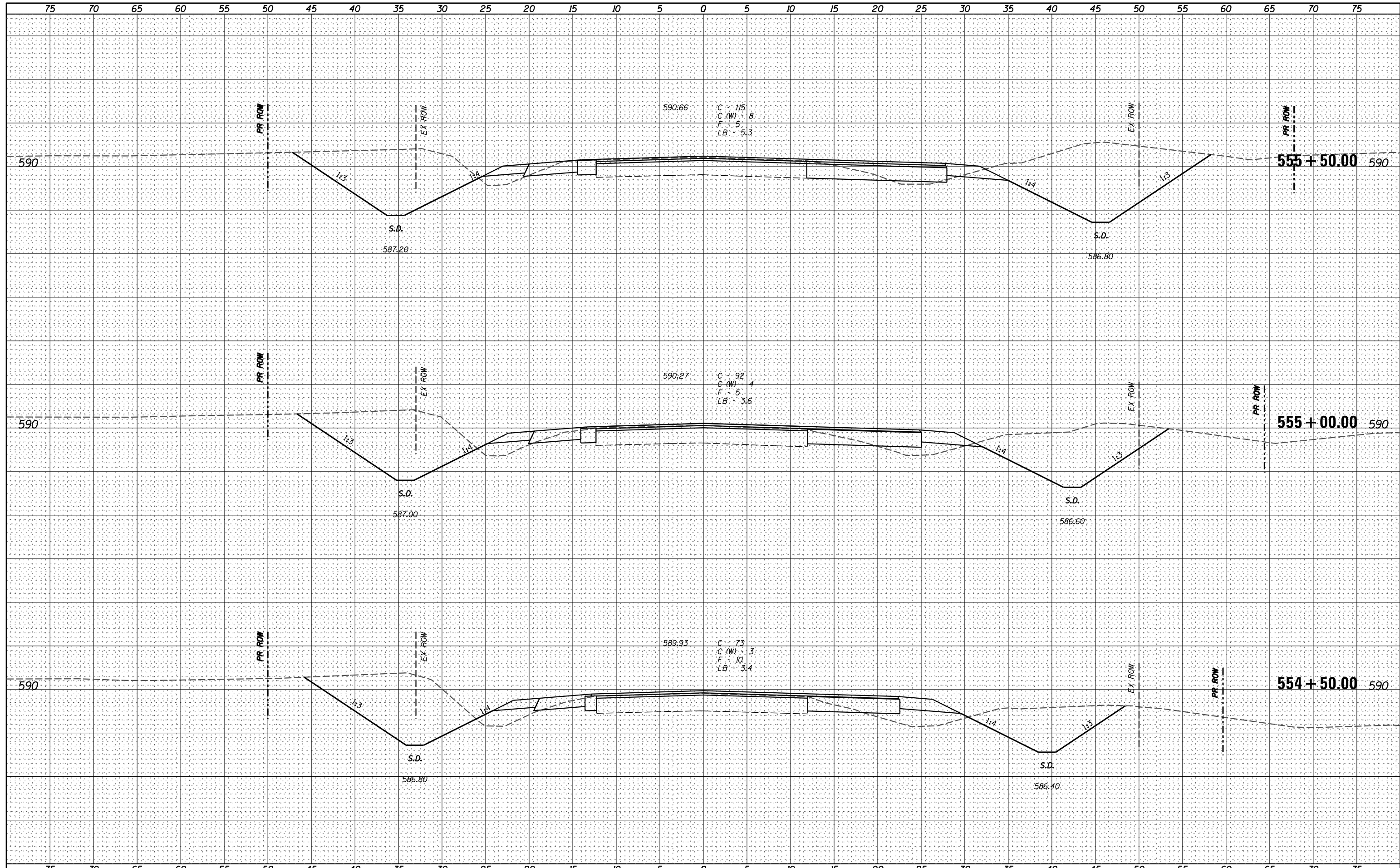
CROSS SECTIONS

SCALE: _____ SHEET NO. 264 OF 319 SHEETS STA. 553+50.00 TO STA. 554+00.00

F.A.P. RTE.	SECTION	COUNTY	TOTAL SHEETS	SHEET NO.
67	W(RS-6), (106)RS-4, BP	SANGAMON	486	422
CONTRACT NO. 72B37			ILLINOIS FED. AID PROJECT	

DATE _____
 BY _____
 SURVEYED _____
 PLOTTED _____
 TEMPLATE _____
 NOTE BOOK _____
 AREAS CHECKED _____
 NO. _____

DATE _____
 BY _____
 SURVEYED _____
 PLOTTED _____
 TEMPLATE _____
 NOTE BOOK _____
 AREAS CHECKED _____
 NO. _____



Veenstra & Kimm, Inc.
 Springfield, IL Phone: (217)544-8033

USER NAME = *USER*	DESIGNED - _____	REVISED - _____
PLOT SCALE = *SCALE*	DRAWN - _____	REVISED - _____
PLOT DATE = *DATE*	CHECKED - _____	REVISED - _____
	DATE - _____	REVISED - _____

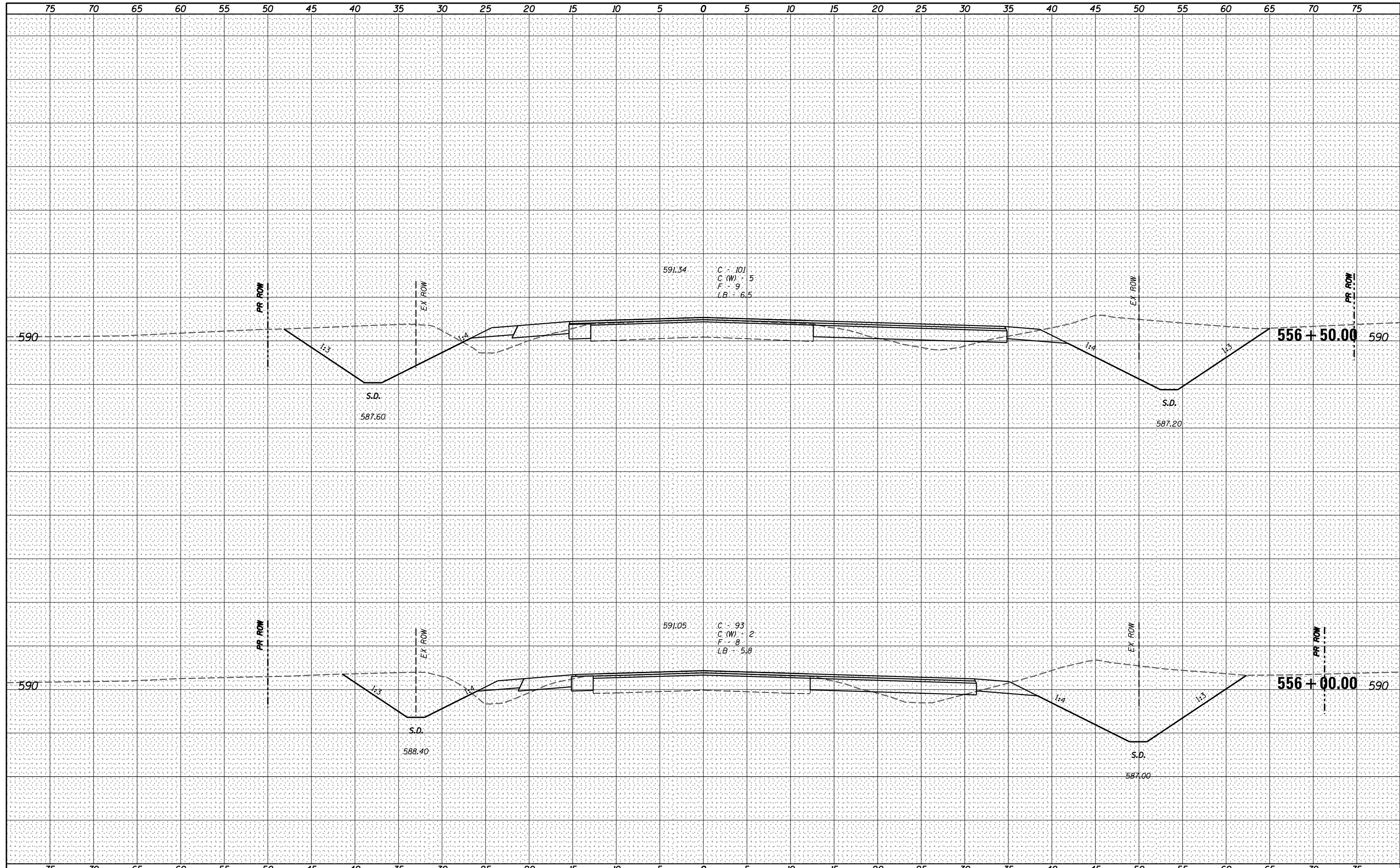
**STATE OF ILLINOIS
 DEPARTMENT OF TRANSPORTATION**

CROSS SECTIONS
 SCALE: _____ SHEET NO. 265 OF 319 SHEETS STA. 554+50.00 TO STA. 555+50.00

F.A.P. RTE.	SECTION	COUNTY	TOTAL SHEETS	SHEET NO.
67	W(RS-6), (106)RS-4, BP	SANGAMON	486	423
CONTRACT NO. 72B37			ILLINOIS FED. AID PROJECT	

DATE	
BY	
FINAL SURVEY	SURVEYED
NOTE BOOK	PLOTTED
NO.	TEMPLATE
	AREAS CHECKED
	AREAS CHECKED

DATE	
BY	
ORIGINAL SURVEY	SURVEYED
NOTE BOOK	PLOTTED
NO.	TEMPLATE
	AREAS CHECKED
	AREAS CHECKED



V&K
Veenstra & Kimm, Inc.
 Springfield, IL Phone: (217)544-8033

USER NAME = *USER*	DESIGNED - _____	REVISED - _____
PLOT SCALE = *SCALE*	DRAWN - _____	REVISED - _____
PLOT DATE = *DATE*	CHECKED - _____	REVISED - _____
	DATE - _____	REVISED - _____

STATE OF ILLINOIS
DEPARTMENT OF TRANSPORTATION

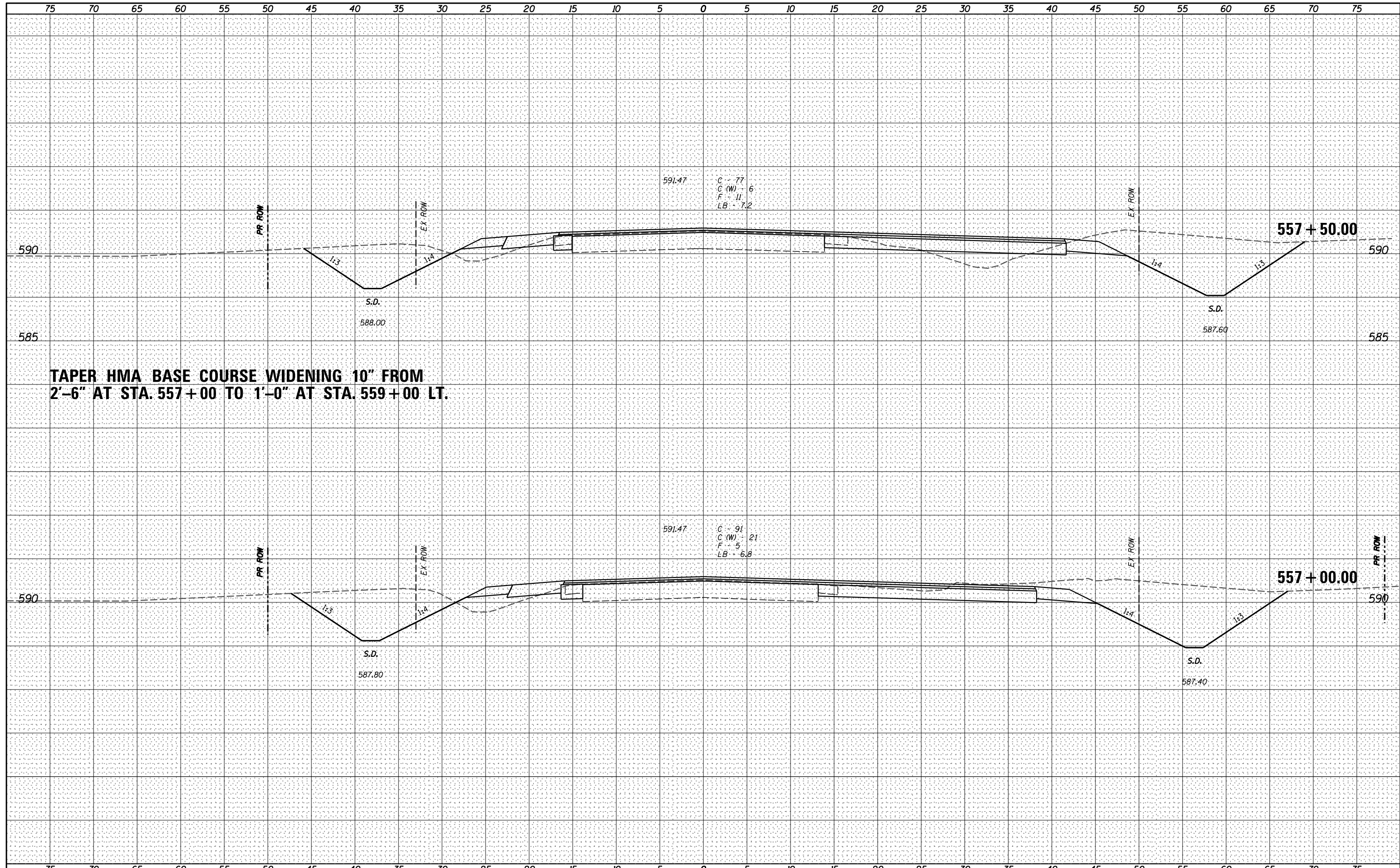
CROSS SECTIONS

SCALE: _____ SHEET NO. 266 OF 319 SHEETS STA. 556+00.00 TO STA. 557+00.00

F.A.P. RTE.	SECTION	COUNTY	TOTAL SHEETS	SHEET NO.
67	W(RS-6), (106)RS-4, BP	SANGAMON	486	424
CONTRACT NO. 72B37				
ILLINOIS FED. AID PROJECT				

DATE _____
 BY _____
 SURVEYED _____
 PLOTTED _____
 TEMPLATE _____
 NOTE BOOK _____
 AREAS CHECKED _____
 NO. _____

DATE _____
 BY _____
 SURVEYED _____
 PLOTTED _____
 TEMPLATE _____
 NOTE BOOK _____
 AREAS CHECKED _____
 NO. _____



USER NAME = *USER*	DESIGNED - _____	REVISED - _____
	DRAWN - _____	REVISED - _____
PLOT SCALE = *SCALE*	CHECKED - _____	REVISED - _____
PLOT DATE = *DATE*	DATE - _____	REVISED - _____

STATE OF ILLINOIS
 DEPARTMENT OF TRANSPORTATION

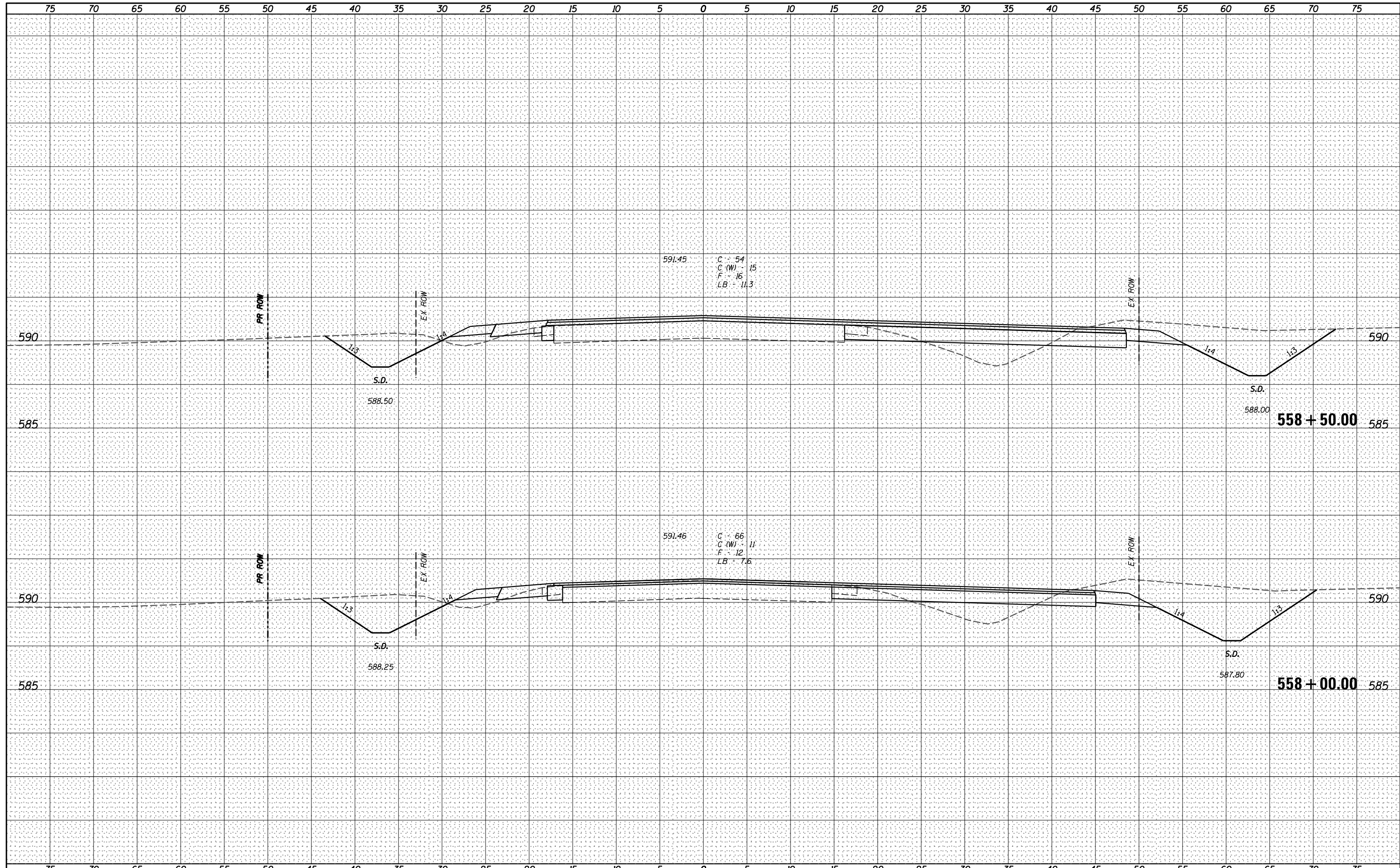
CROSS SECTIONS

SCALE: _____ SHEET NO. 267 OF 319 SHEETS STA. 557+09.21 TO STA. 557+50.00

F.A.P. RTE.	SECTION	COUNTY	TOTAL SHEETS	SHEET NO.
67	W(RS-6), (106)RS-4, BP	SANGAMON	486	425
CONTRACT NO. 72B37				
ILLINOIS FED. AID PROJECT				

DATE _____
 BY _____
 SURVEYED _____
 PLOTTED _____
 TEMPLATE _____
 NOTE BOOK _____
 AREAS CHECKED _____
 NO. _____

DATE _____
 BY _____
 SURVEYED _____
 PLOTTED _____
 TEMPLATE _____
 NOTE BOOK _____
 AREAS CHECKED _____
 NO. _____



591.45
 C - 54
 C (W) - 15
 F - 16
 LB - 11.3

591.46
 C - 66
 C (W) - 11
 F - 12
 LB - 7.6

V&K
 Veenstra & Kimm, Inc.
 Springfield, IL Phone: (217)544-8033

USER NAME = *USER*	DESIGNED - _____	REVISED - _____
PLOT SCALE = *SCALE*	DRAWN - _____	REVISED - _____
PLOT DATE = *DATE*	CHECKED - _____	REVISED - _____
	DATE - _____	REVISED - _____

**STATE OF ILLINOIS
 DEPARTMENT OF TRANSPORTATION**

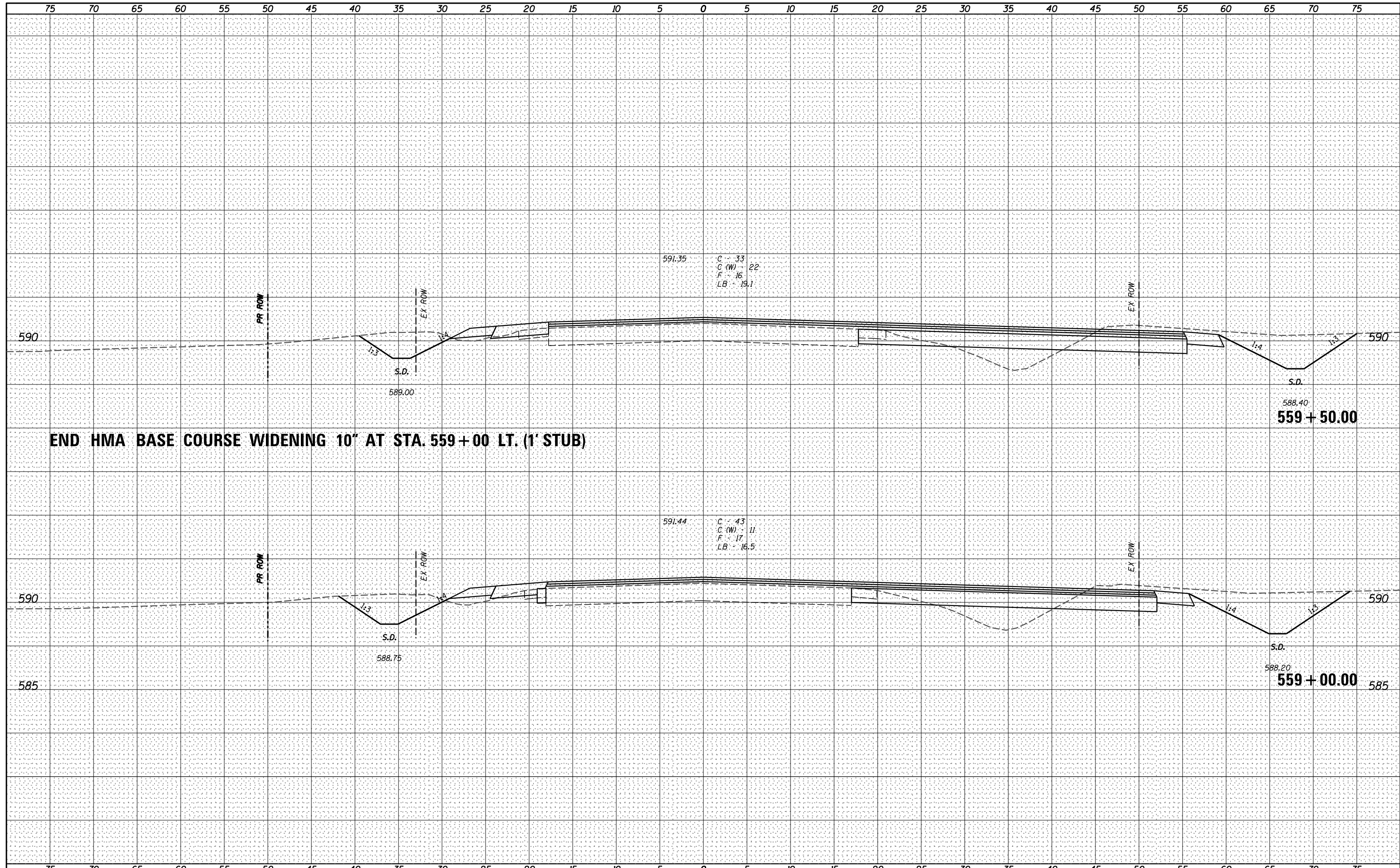
CROSS SECTIONS

SCALE: _____ SHEET NO. 268 OF 319 SHEETS STA. 558+00.00 TO STA. 558+50.00

F.A.P. RTE.	SECTION	COUNTY	TOTAL SHEETS	SHEET NO.
67	W(RS-6), (106)RS-4, BP	SANGAMON	486	426
CONTRACT NO. 72B37				
ILLINOIS FED. AID PROJECT				

DATE	
BY	
FINAL SURVEY	SURVEYED
NOTE BOOK	PLOTTED
NO.	TEMPLATE
	AREAS CHECKED
	AREAS CHECKED

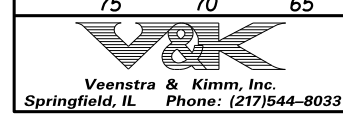
DATE	
BY	
ORIGINAL SURVEY	SURVEYED
NOTE BOOK	PLOTTED
NO.	TEMPLATE
	AREAS CHECKED
	AREAS CHECKED



591.35
 C - 33
 C (W) - 22
 F - 16
 LB - 19.1

591.44
 C - 43
 C (W) - 11
 F - 17
 LB - 16.5

END HMA BASE COURSE WIDENING 10' AT STA. 559+00 LT. (1' STUB)



USER NAME = *USER*	DESIGNED - _____	REVISED - _____
PLOT SCALE = *SCALE*	DRAWN - _____	REVISED - _____
PLOT DATE = *DATE*	CHECKED - _____	REVISED - _____
	DATE - _____	REVISED - _____

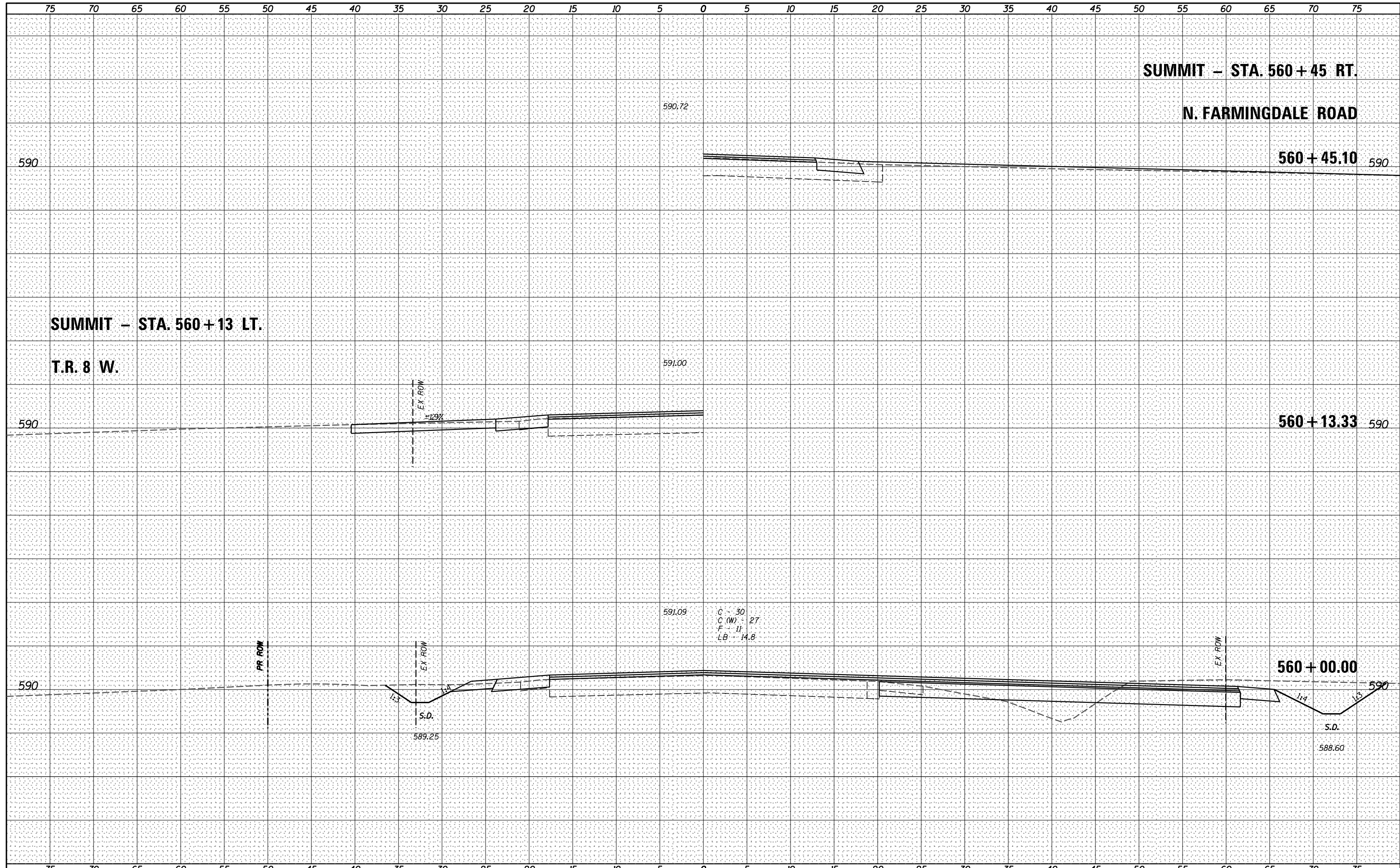
**STATE OF ILLINOIS
 DEPARTMENT OF TRANSPORTATION**

CROSS SECTIONS
 SCALE: _____ SHEET NO. 269 OF 319 SHEETS STA. 559+00.00 TO STA. 559+50.00

F.A.P. RTE.	SECTION	COUNTY	TOTAL SHEETS	SHEET NO.
67	W(RS-6), (106)RS-4, BP	SANGAMON	486	427
CONTRACT NO. 72B37				
<small>ILLINOIS FED. AID PROJECT</small>				

DATE	
BY	
FINAL SURVEY	
SURVEYED	
PLOTTED	
TEMPLATE	
NOTE BOOK	
AREAS	
CHECKED	
NO.	

DATE	
BY	
ORIGINAL SURVEY	
SURVEYED	
PLOTTED	
TEMPLATE	
NOTE BOOK	
AREAS	
CHECKED	
NO.	



V&K
Veenstra & Kimm, Inc.
 Springfield, IL Phone: (217)544-8033

USER NAME = *USER*	DESIGNED - _____	REVISED - _____
	DRAWN - _____	REVISED - _____
PLOT SCALE = *SCALE*	CHECKED - _____	REVISED - _____
PLOT DATE = *DATE*	DATE - _____	REVISED - _____

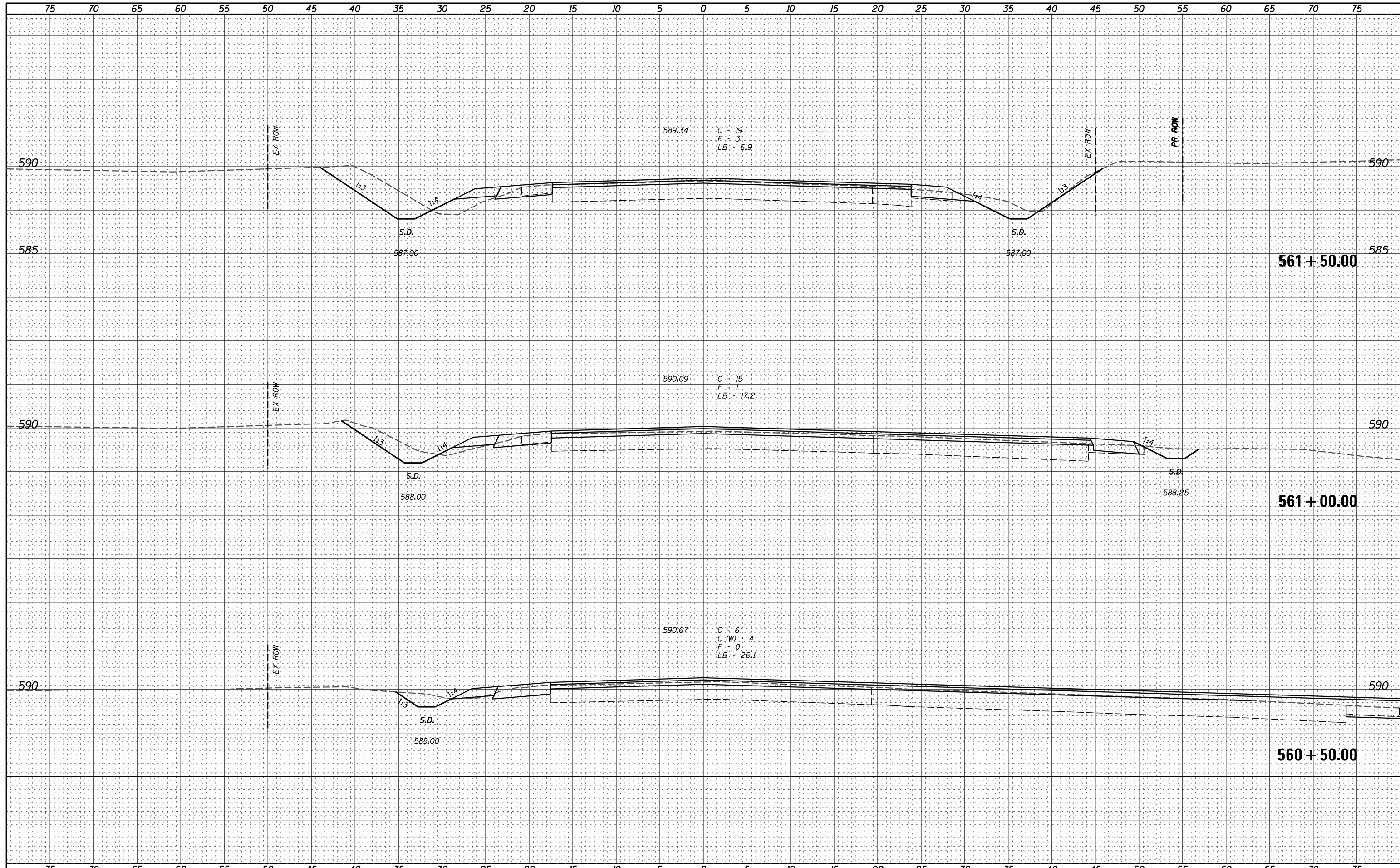
STATE OF ILLINOIS
DEPARTMENT OF TRANSPORTATION

CROSS SECTIONS
 SCALE: _____ SHEET NO. 270 OF 319 SHEETS STA. 560+00.00 TO STA. 560+45.10

F.A.P. RTE.	SECTION	COUNTY	TOTAL SHEETS	SHEET NO.
67	W(RS-6), (106)RS-4, BP	SANGAMON	486	428
CONTRACT NO. 72B37			ILLINOIS FED. AID PROJECT	

DATE _____
 BY _____
 ORIGINAL SURVEY NO. _____
 SURVEYED PLOTTED AREAS CHECKED
 PLATE TEMPLATE AREAS CHECKED

DATE _____
 BY _____
 ORIGINAL SURVEY NO. _____
 SURVEYED PLOTTED AREAS CHECKED
 PLATE TEMPLATE AREAS CHECKED



V&K
 Veenstra & Kimm, Inc.
 Springfield, IL Phone: (217)544-8033

USER NAME = *USER*	DESIGNED - _____	REVISED - _____
PLOT SCALE = *SCALE*	DRAWN - _____	REVISED - _____
PLOT DATE = *DATE*	CHECKED - _____	REVISED - _____
	DATE - _____	REVISED - _____

**STATE OF ILLINOIS
 DEPARTMENT OF TRANSPORTATION**

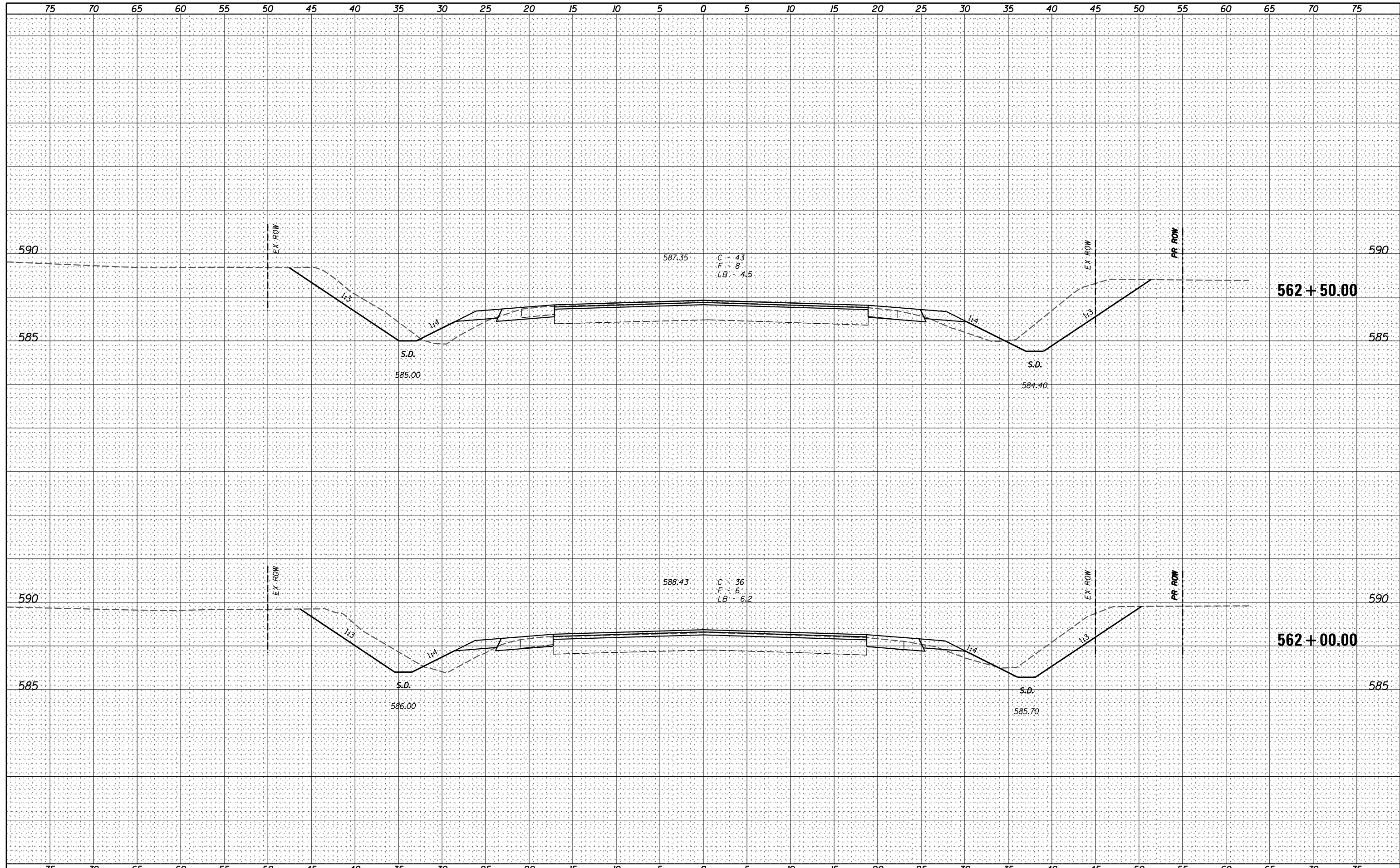
CROSS SECTIONS

SCALE: _____ SHEET NO. 271 OF 319 SHEETS STA. 560+50.00 TO STA. 561+50.00

F.A.P. RTE.	SECTION	COUNTY	TOTAL SHEETS	SHEET NO.
67	W(RS-6), (106)RS-4, BP	SANGAMON	486	429
CONTRACT NO. 72B37				
ILLINOIS FED. AID PROJECT				

DATE: _____
 BY: _____
 SURVEYED _____
 PLOTTED _____
 TEMPLATE _____
 NOTE BOOK _____
 AREAS CHECKED _____
 NO. _____

DATE: _____
 BY: _____
 SURVEYED _____
 PLOTTED _____
 TEMPLATE _____
 NOTE BOOK _____
 AREAS CHECKED _____
 NO. _____



Veenstra & Kimm, Inc.
 Springfield, IL Phone: (217)544-8033

USER NAME = *USER*	DESIGNED - _____	REVISED - _____
PLOT SCALE = *SCALE*	DRAWN - _____	REVISED - _____
PLOT DATE = *DATE*	CHECKED - _____	REVISED - _____
	DATE - _____	REVISED - _____

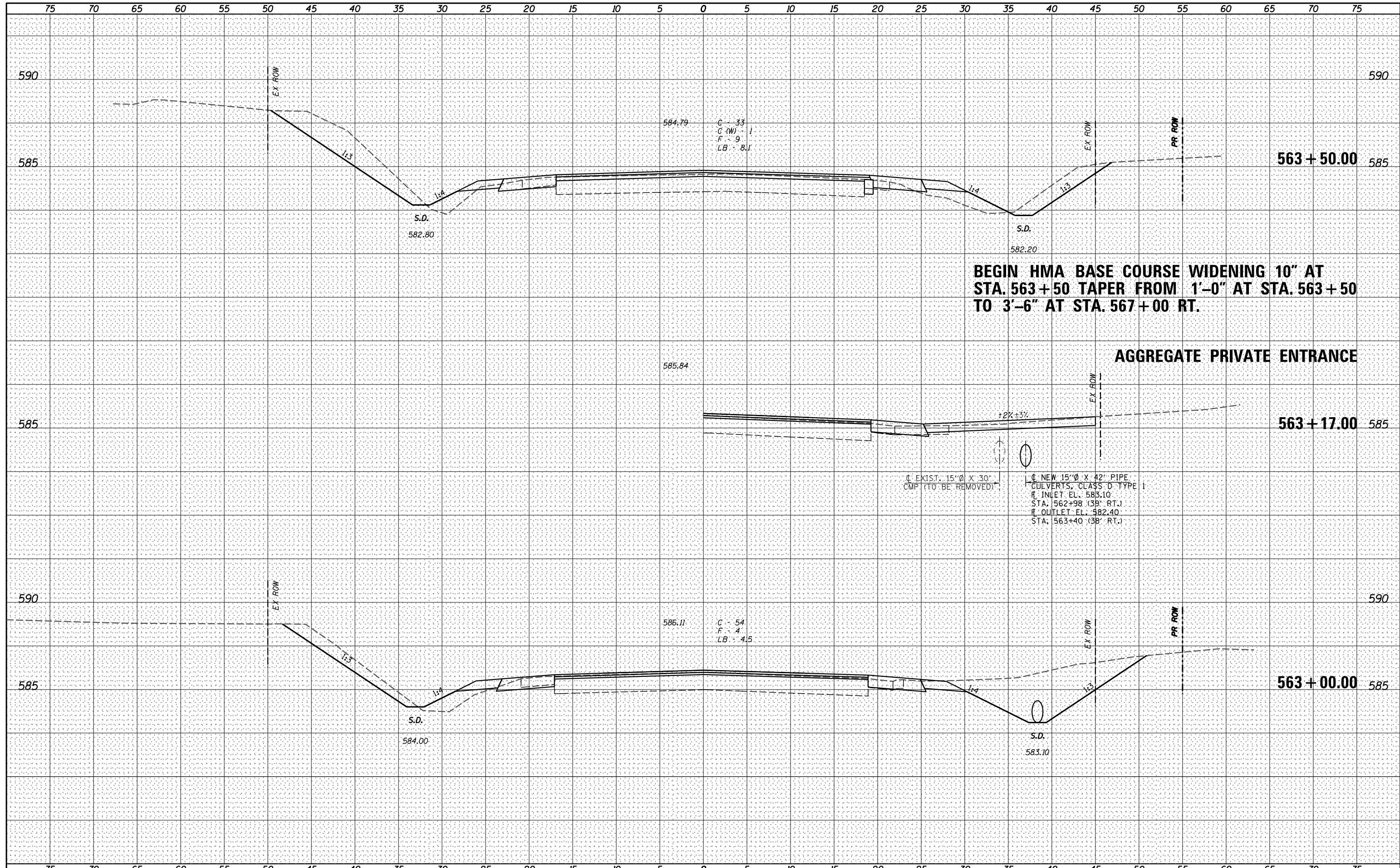
**STATE OF ILLINOIS
 DEPARTMENT OF TRANSPORTATION**

CROSS SECTIONS
 SCALE: _____ SHEET NO. 272 OF 319 SHEETS STA. 562+00.00 TO STA. 562+50.00

F.A.P. RTE.	SECTION	COUNTY	TOTAL SHEETS	SHEET NO.
67	W(RS-6), (106)RS-4, BP	SANGAMON	486	430
CONTRACT NO. 72B37			ILLINOIS FED. AID PROJECT	

DATE _____
 BY _____
 SURVEYED _____
 PLOTTED _____
 TEMPLATE _____
 AREAS CHECKED _____
 ORIGINAL SURVEY NO. _____

DATE _____
 BY _____
 SURVEYED _____
 PLOTTED _____
 TEMPLATE _____
 AREAS CHECKED _____
 ORIGINAL SURVEY NO. _____



BEGIN HMA BASE COURSE WIDENING 10" AT STA. 563+50 TAPER FROM 1'-0" AT STA. 563+50 TO 3'-6" AT STA. 567+00 RT.

AGGREGATE PRIVATE ENTRANCE

EXIST. 15"Ø X 30' CMP (TO BE REMOVED)
 NEW 15"Ø X 42' PIPE CULVERTS, CLASS D TYPE 1
 INLET EL. 583.10 STA. 562+98 (39' RT.)
 OUTLET EL. 582.40 STA. 563+40 (38' RT.)



USER NAME = *USER*	DESIGNED - _____	REVISED - _____
PLOT SCALE = *SCALE*	DRAWN - _____	REVISED - _____
PLOT DATE = *DATE*	CHECKED - _____	REVISED - _____
	DATE - _____	REVISED - _____

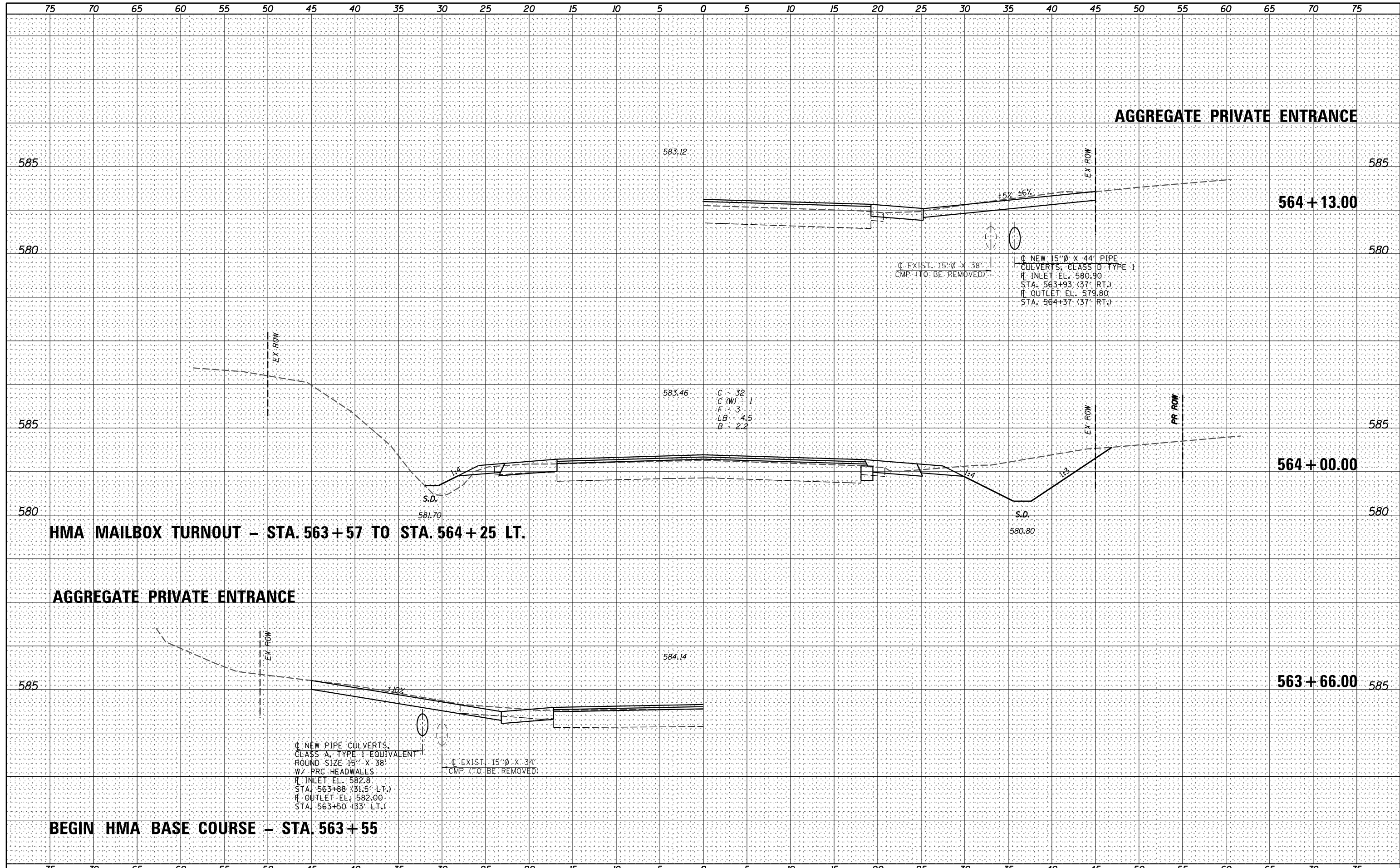
**STATE OF ILLINOIS
 DEPARTMENT OF TRANSPORTATION**

CROSS SECTIONS
 SCALE: _____ SHEET NO. 273 OF 319 SHEETS STA. 563+00.00 TO STA. 563+50.00

F.A.P. RTE.	SECTION	COUNTY	TOTAL SHEETS	SHEET NO.
67	W(RS-6), (106)RS-4, BP	SANGAMON	486	431
			CONTRACT NO. 72B37	
ILLINOIS FED. AID PROJECT				

DATE	
BY	
FINAL SURVEY	SURVEYED
NOTE BOOK	PLOTTED
NO.	TEMPLATE
	AREAS CHECKED
	AREAS CHECKED

DATE	
BY	
ORIGINAL SURVEY	SURVEYED
NOTE BOOK	PLOTTED
NO.	TEMPLATE
	AREAS CHECKED
	AREAS CHECKED



USER NAME = *USER*	DESIGNED - _____	REVISED - _____
	DRAWN - _____	REVISED - _____
PLOT SCALE = *SCALE*	CHECKED - _____	REVISED - _____
PLOT DATE = *DATE*	DATE - _____	REVISED - _____

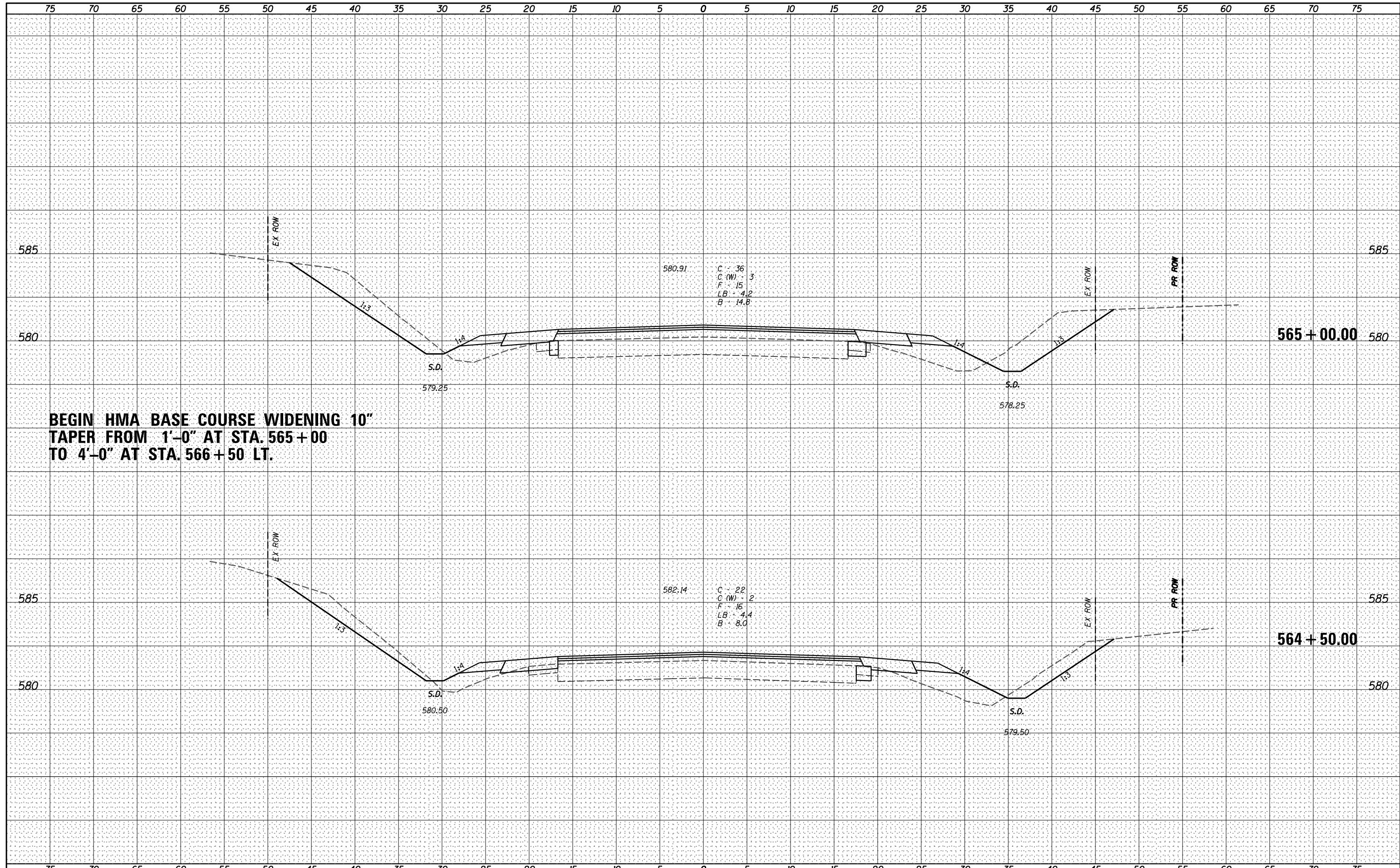
STATE OF ILLINOIS
DEPARTMENT OF TRANSPORTATION

CROSS SECTIONS	
SCALE: _____	SHEET NO. 274 OF 319 SHEETS
STA. 563+74.43 TO STA. 564+13.06	

F.A.P. RTE.	SECTION	COUNTY	TOTAL SHEETS	SHEET NO.
67	W(RS-6), (106)RS-4, BP	SANGAMON	486	432
CONTRACT NO. 72B37			ILLINOIS FED. AID PROJECT	

DATE	
BY	
FINAL SURVEY	SURVEYED
NOTE BOOK	PLOTTED
NO.	TEMPLATE
	AREAS CHECKED
	AREAS CHECKED

DATE	
BY	
ORIGINAL SURVEY	SURVEYED
NOTE BOOK	PLOTTED
NO.	TEMPLATE
	AREAS CHECKED
	AREAS CHECKED



**BEGIN HMA BASE COURSE WIDENING 10"
TAPER FROM 1'-0" AT STA. 565 + 00
TO 4'-0" AT STA. 566 + 50 LT.**



USER NAME = *USER*	DESIGNED - _____	REVISED - _____
PLOT SCALE = *SCALE*	DRAWN - _____	REVISED - _____
PLOT DATE = *DATE*	CHECKED - _____	REVISED - _____
	DATE - _____	REVISED - _____

**STATE OF ILLINOIS
DEPARTMENT OF TRANSPORTATION**

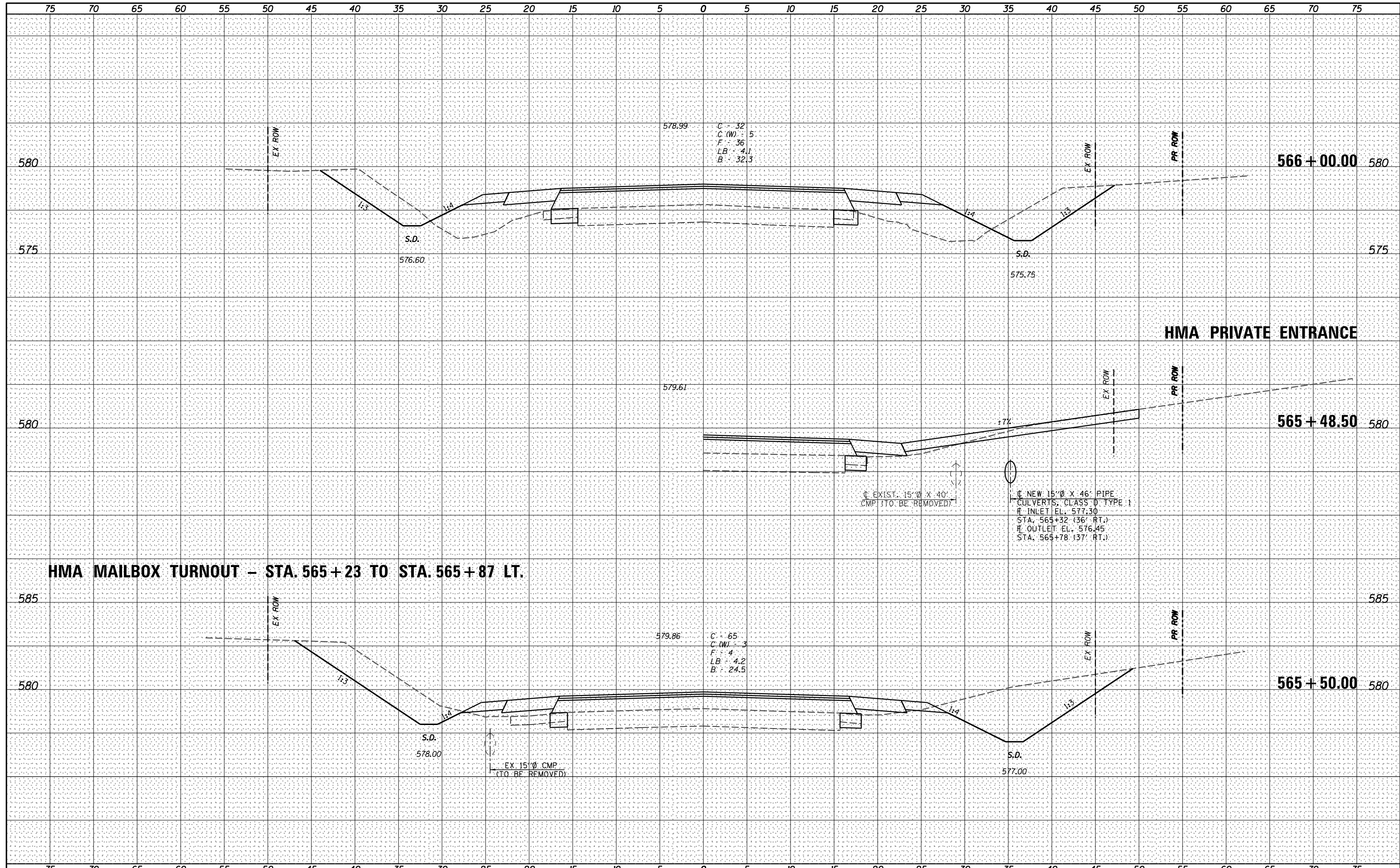
CROSS SECTIONS

SCALE: _____ SHEET NO. 275 OF 319 SHEETS STA. 564+50.00 TO STA. 565+00.00

F.A.P. RTE.	SECTION	COUNTY	TOTAL SHEETS	SHEET NO.
67	W(RS-6), (106)RS-4, BP	SANGAMON	486	433
CONTRACT NO. 72B37			ILLINOIS FED. AID PROJECT	

DATE _____
 BY _____
 SURVEYED _____
 PLOTTED _____
 TEMPLATE _____
 NOTE BOOK _____
 AREAS CHECKED _____
 NO. _____

DATE _____
 BY _____
 SURVEYED _____
 PLOTTED _____
 TEMPLATE _____
 NOTE BOOK _____
 AREAS CHECKED _____
 NO. _____



V&K
 Veenstra & Kimm, Inc.
 Springfield, IL Phone: (217)544-8033

USER NAME = *USER*	DESIGNED - _____	REVISED - _____
PLOT SCALE = *SCALE*	DRAWN - _____	REVISED - _____
PLOT DATE = *DATE*	CHECKED - _____	REVISED - _____
	DATE - _____	REVISED - _____

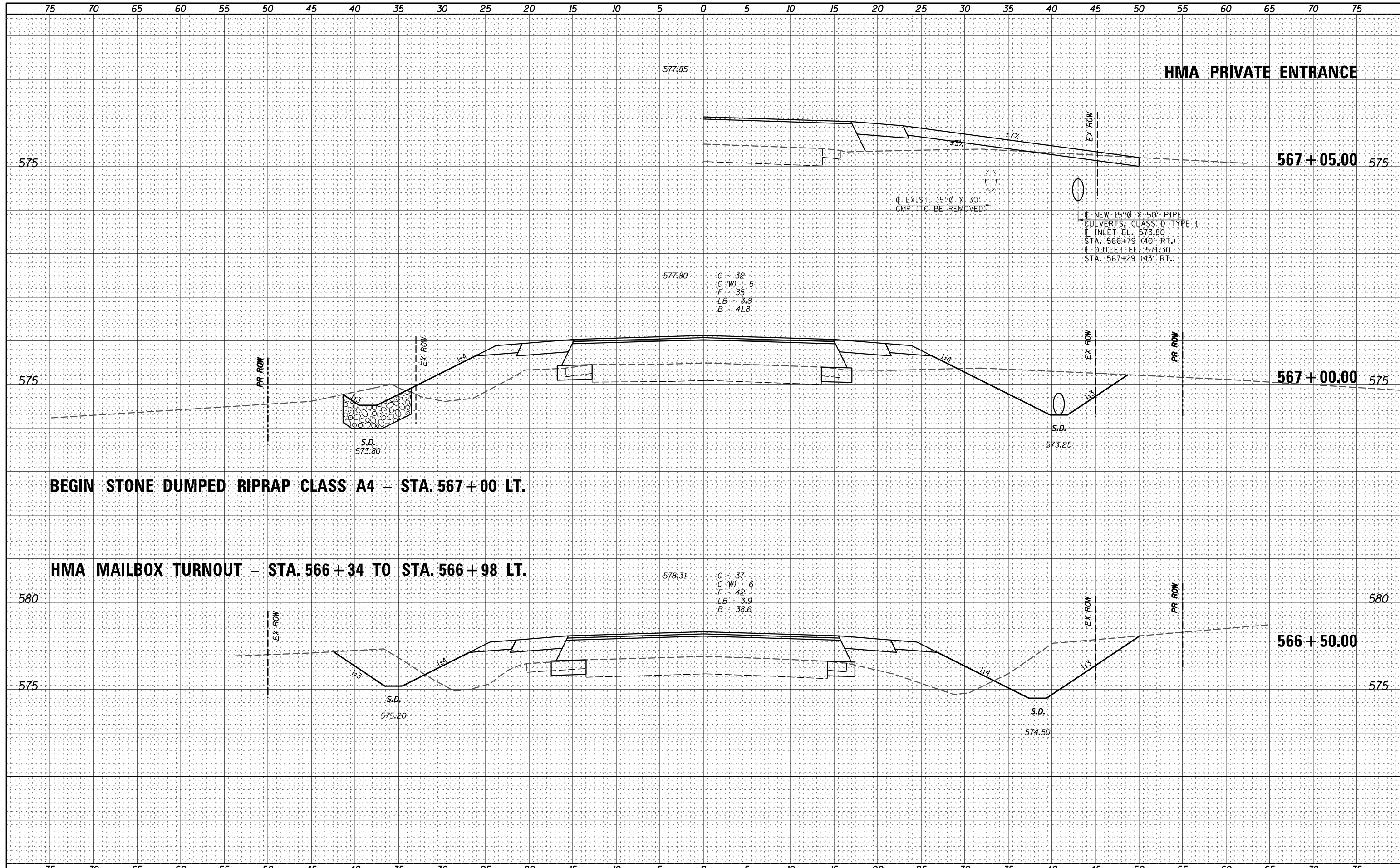
STATE OF ILLINOIS
DEPARTMENT OF TRANSPORTATION

CROSS SECTIONS
 SCALE: _____ SHEET NO. 276 OF 319 SHEETS STA. 565+50.00 TO STA. 566+00.00

F.A.P. RTE.	SECTION	COUNTY	TOTAL SHEETS	SHEET NO.
67	W(RS-6), (106)RS-4, BP	SANGAMON	486	434
			CONTRACT NO. 72B37	
ILLINOIS FED. AID PROJECT				

DATE _____
 BY _____
 SURVEYED _____
 PLOTTED _____
 TEMPLATE _____
 NOTE BOOK _____
 AREAS CHECKED _____
 NO. _____

DATE _____
 BY _____
 ORIGINAL SURVEY _____
 PLOTTED _____
 TEMPLATE _____
 AREAS CHECKED _____
 NO. _____



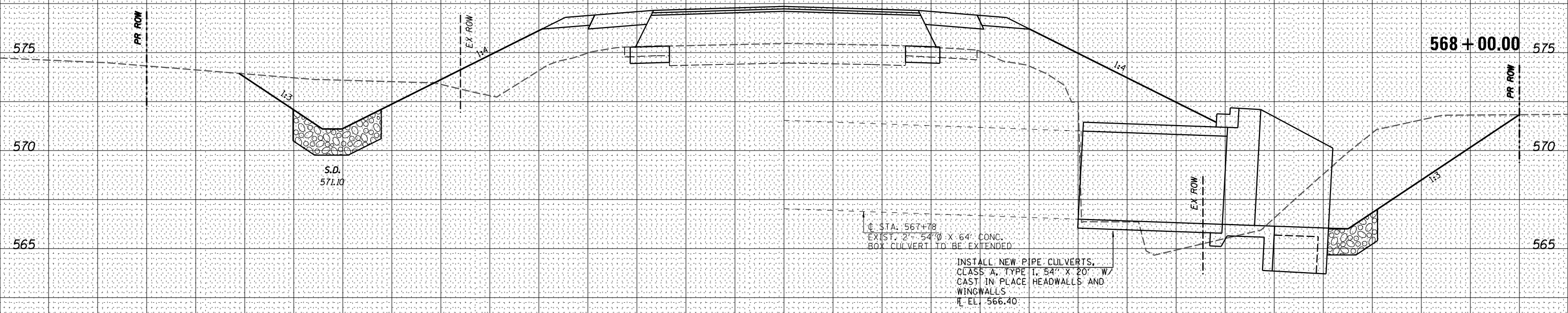
BEGIN STONE DUMPED RIPRAP CLASS A4 – STA. 567+00 LT.

HMA MAILBOX TURNOUT – STA. 566+34 TO STA. 566+98 LT.

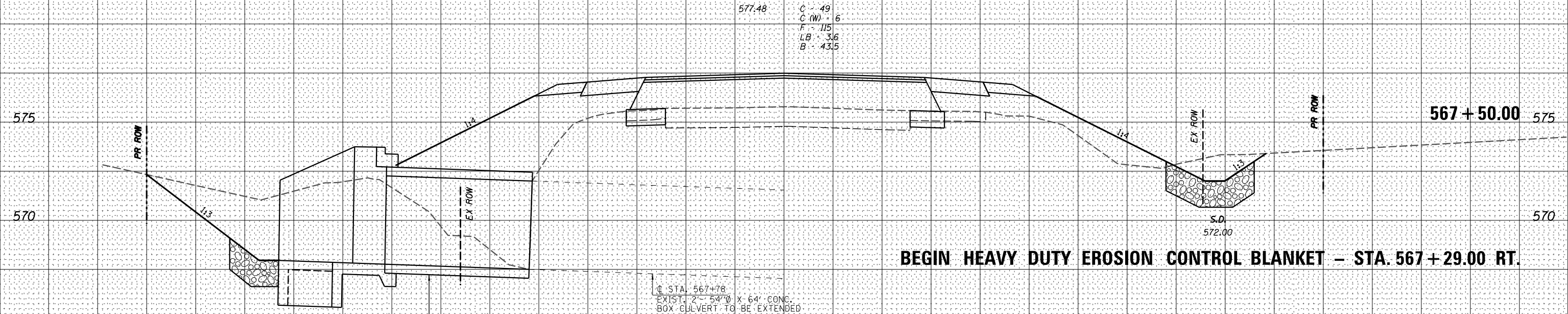
END STONE DUMPED RIPRAP CLASS A4 – STA. 568+00.00 LT.
TAPER HMA BASE COURSE WIDENING 10"
FROM 3'-6" AT STA. 568+00
TO 1'-0" AT STA. 571+00 LT.

577.33
 C - 68
 C (W) - 6
 F - 185
 LB - 3.4
 B - 46.6

DATE	
BY	
FINAL SURVEY	
PLOTTED	
TEMPLATE	
NOTE BOOK	
AREAS CHECKED	
NO.	



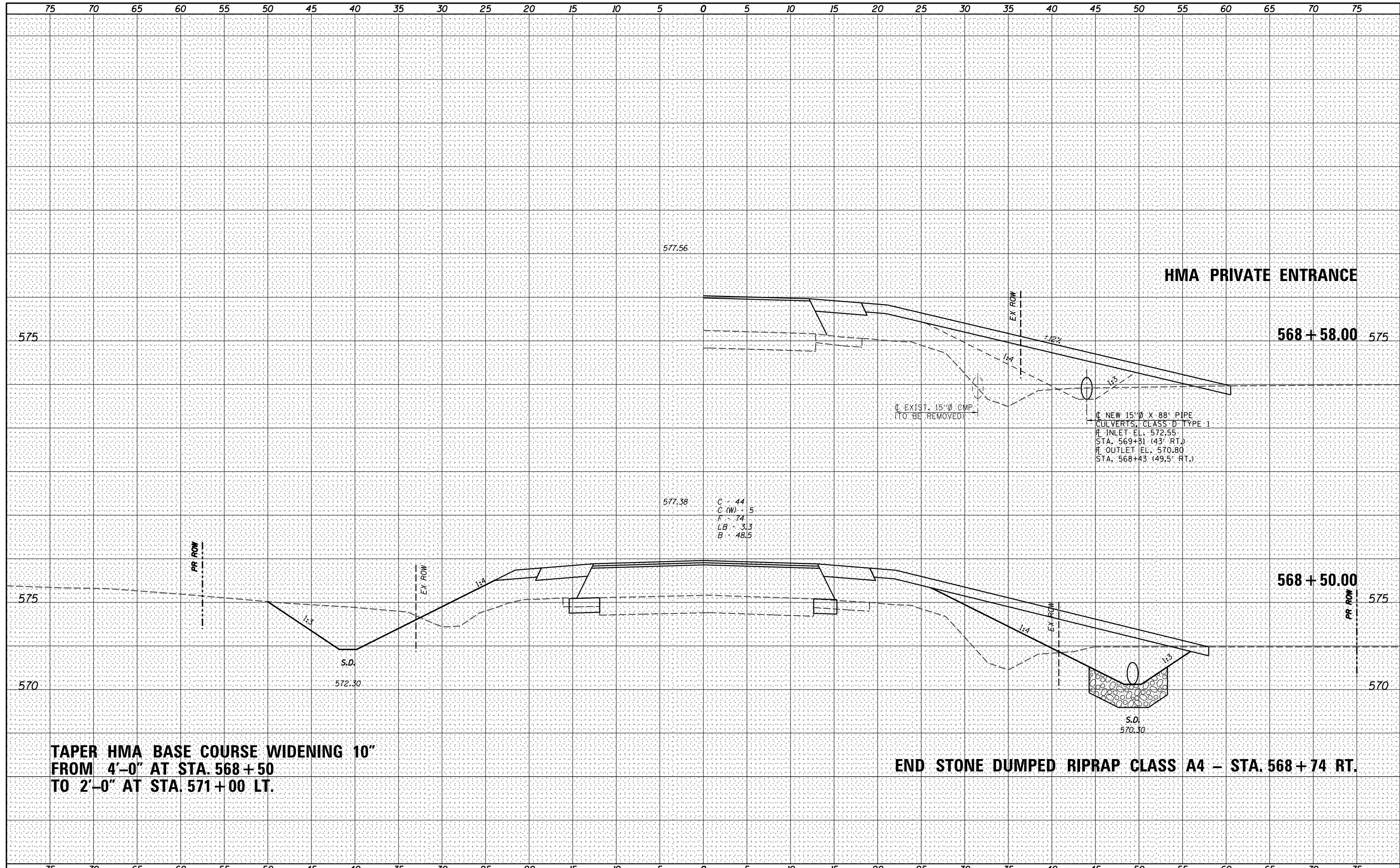
DATE	
BY	
ORIGINAL SURVEY	
PLOTTED	
TEMPLATE	
NOTE BOOK	
AREAS CHECKED	
NO.	



BEGIN HEAVY DUTY EROSION CONTROL BLANKET – STA. 567+29.00 RT.

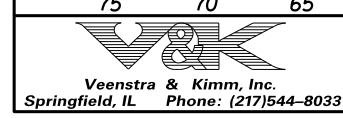
DATE	
BY	
FINAL SURVEY	SURVEYED
NOTE BOOK	PLOTTED
NO.	TEMPLATE
	AREAS CHECKED

DATE	
BY	
ORIGINAL SURVEY	SURVEYED
NOTE BOOK	PLOTTED
NO.	TEMPLATE
	AREAS CHECKED



**TAPER HMA BASE COURSE WIDENING 10"
FROM 4'-0" AT STA. 568+50
TO 2'-0" AT STA. 571+00 LT.**

END STONE DUMPED RIPRAP CLASS A4 - STA. 568+74 RT.



USER NAME = *USER*	DESIGNED - _____	REVISED - _____
PLOT SCALE = *SCALE*	DRAWN - _____	REVISED - _____
PLOT DATE = *DATE*	CHECKED - _____	REVISED - _____
	DATE - _____	REVISED - _____

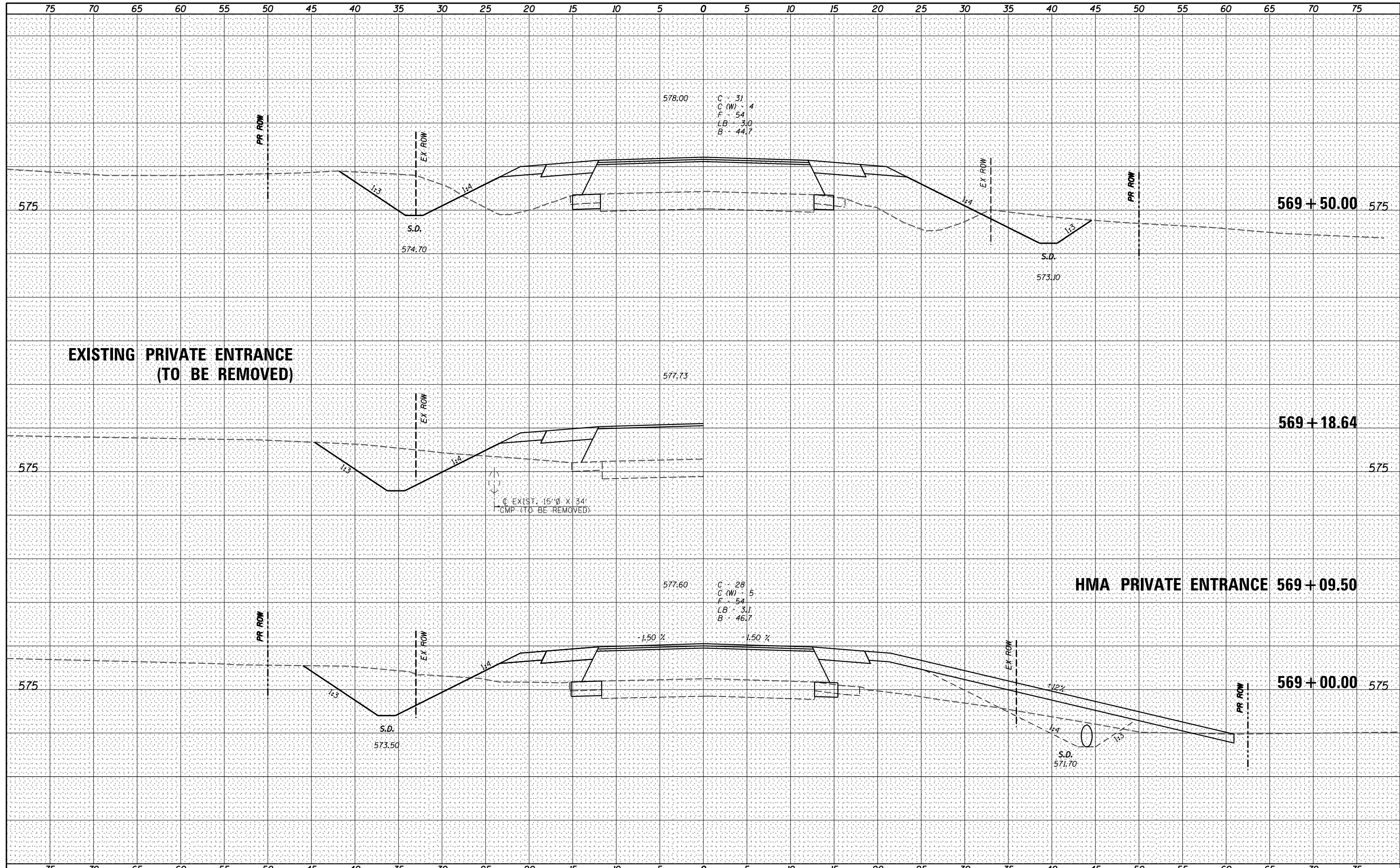
**STATE OF ILLINOIS
DEPARTMENT OF TRANSPORTATION**

CROSS SECTIONS
SCALE: _____ SHEET NO. 279 OF 319 SHEETS STA. 568+50.00 TO STA. 568+93.68

F.A.P. RTE.	SECTION	COUNTY	TOTAL SHEETS	SHEET NO.
67	W(RS-6), (106)RS-4, BP	SANGAMON	486	437
			CONTRACT NO. 72B37	
ILLINOIS FED. AID PROJECT				

DATE _____
 BY _____
 SURVEYED _____
 PLOTTED _____
 TEMPLATE _____
 NOTE BOOK _____
 AREAS CHECKED _____
 NO. _____

DATE _____
 BY _____
 SURVEYED _____
 PLOTTED _____
 TEMPLATE _____
 NOTE BOOK _____
 AREAS CHECKED _____
 NO. _____



V&K
 Veenstra & Kimm, Inc.
 Springfield, IL Phone: (217)544-8033

USER NAME = *USER*	DESIGNED - _____	REVISED - _____
	DRAWN - _____	REVISED - _____
PLOT SCALE = *SCALE*	CHECKED - _____	REVISED - _____
PLOT DATE = *DATE*	DATE - _____	REVISED - _____

**STATE OF ILLINOIS
 DEPARTMENT OF TRANSPORTATION**

CROSS SECTIONS

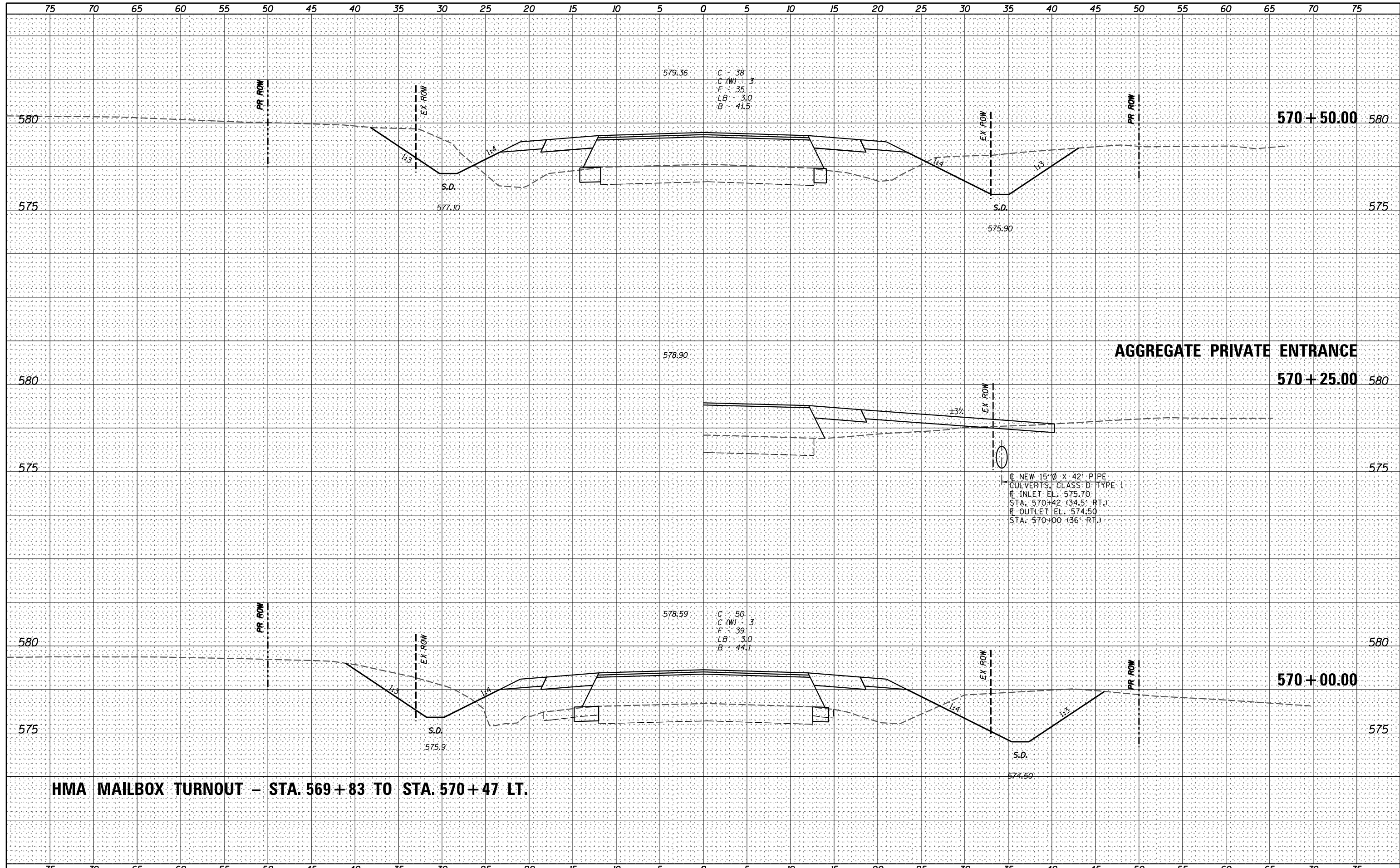
SCALE: _____ SHEET NO. 280 OF 319 SHEETS STA. 569+00.00 TO STA. 569+50.00

F.A.P. RTE.	SECTION	COUNTY	TOTAL SHEETS	SHEET NO.
67	W(RS-6), (106)RS-4, BP	SANGAMON	486	438
CONTRACT NO. 72B37				

ILLINOIS FED. AID PROJECT

DATE	
BY	
FINAL SURVEY	SURVEYED
NOTE BOOK	PLOTTED
NO.	TEMPLATE
	AREAS CHECKED
	AREAS CHECKED

DATE	
BY	
ORIGINAL SURVEY	SURVEYED
NOTE BOOK	PLOTTED
NO.	TEMPLATE
	AREAS CHECKED
	AREAS CHECKED



Veenstra & Kimm, Inc.
Springfield, IL Phone: (217)544-8033

USER NAME = *USER*	DESIGNED - _____	REVISED - _____
PLOT SCALE = *SCALE*	DRAWN - _____	REVISED - _____
PLOT DATE = *DATE*	CHECKED - _____	REVISED - _____
	DATE - _____	REVISED - _____

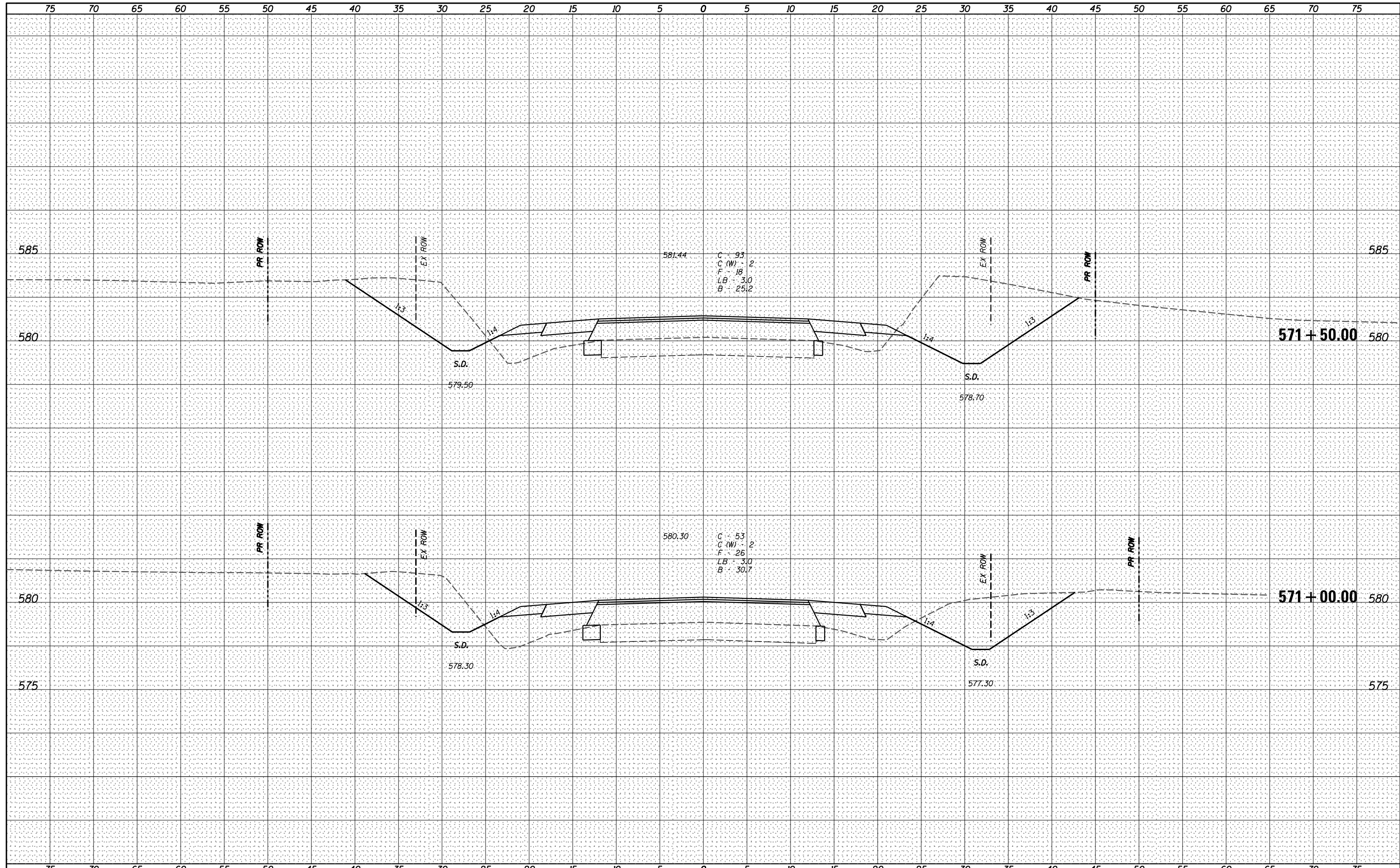
**STATE OF ILLINOIS
DEPARTMENT OF TRANSPORTATION**

CROSS SECTIONS
SCALE: _____ SHEET NO. 281 OF 319 SHEETS STA. 570+00.00 TO STA. 570+50.00

F.A.P. RTE.	SECTION	COUNTY	TOTAL SHEETS	SHEET NO.
67	W(RS-6), (106)RS-4, BP	SANGAMON	486	439
CONTRACT NO. 72B37			ILLINOIS FED. AID PROJECT	

DATE	
BY	
FINAL SURVEY	SURVEYED
NOTE BOOK	PLOTTED
NO.	TEMPLATE
	AREAS
	CHECKED

DATE	
BY	
ORIGINAL SURVEY	SURVEYED
NOTE BOOK	PLOTTED
NO.	TEMPLATE
	AREAS
	CHECKED



V&K
Veenstra & Kimm, Inc.
Springfield, IL Phone: (217)544-8033

USER NAME = *USER*	DESIGNED - _____	REVISED - _____
PLOT SCALE = *SCALE*	DRAWN - _____	REVISED - _____
PLOT DATE = *DATE*	CHECKED - _____	REVISED - _____
	DATE - _____	REVISED - _____

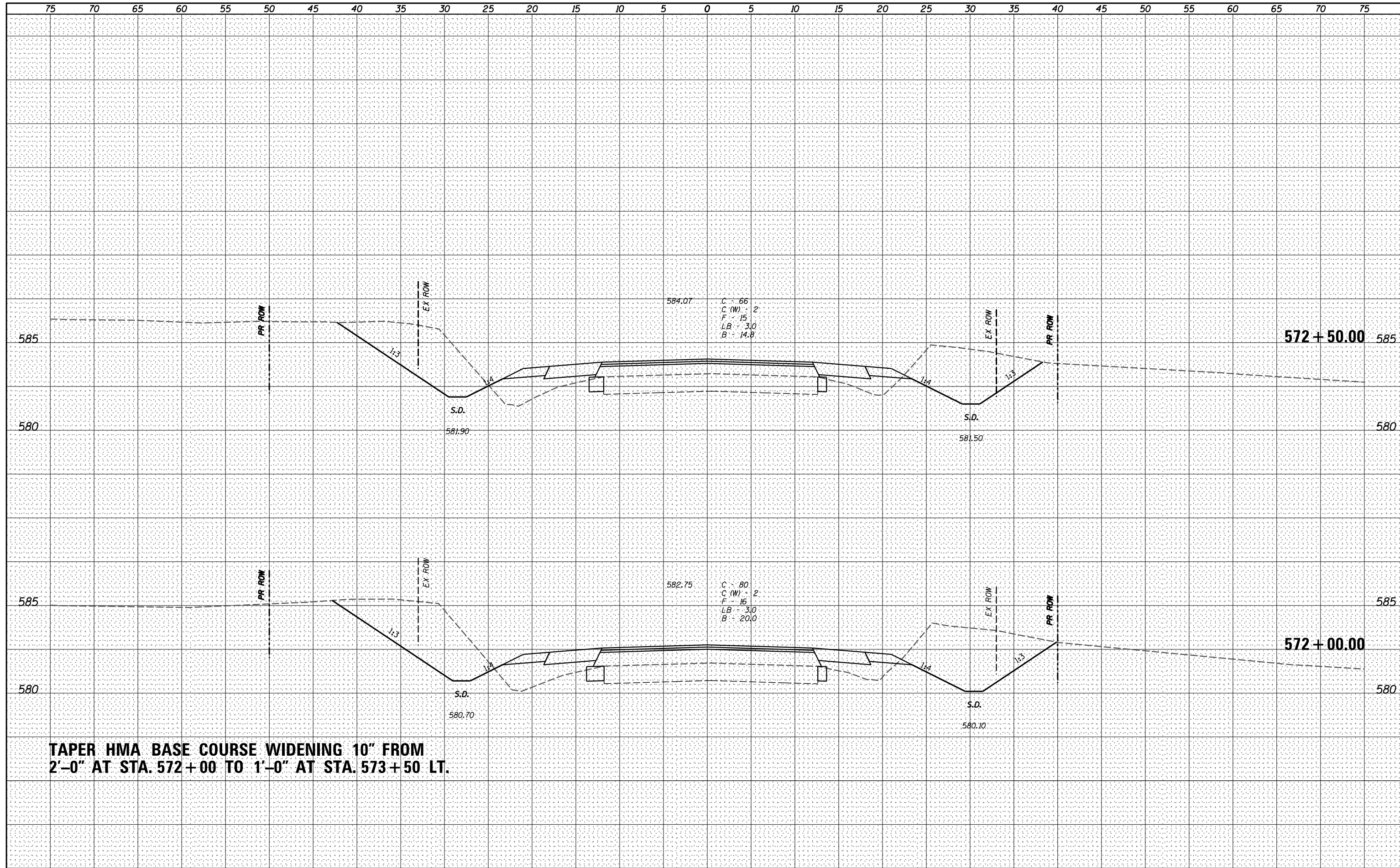
**STATE OF ILLINOIS
DEPARTMENT OF TRANSPORTATION**

CROSS SECTIONS
SCALE: _____ SHEET NO. 282 OF 319 SHEETS STA. 571+00.00 TO STA. 571+50.00

F.A.P. RTE.	SECTION	COUNTY	TOTAL SHEETS	SHEET NO.
67	W(RS-6), (106)RS-4, BP	SANGAMON	486	440
CONTRACT NO. 72B37				
<small>ILLINOIS FED. AID PROJECT</small>				

DATE	
BY	
FINAL SURVEY	SURVEYED
NOTE BOOK	PLOTTED
NO.	TEMPLATE
	AREAS CHECKED

DATE	
BY	
ORIGINAL SURVEY	SURVEYED
NOTE BOOK	PLOTTED
NO.	TEMPLATE
	AREAS CHECKED



TAPER HMA BASE COURSE WIDENING 10" FROM 2'-0" AT STA. 572+00 TO 1'-0" AT STA. 573+50 LT.

V&K
Veenstra & Kimm, Inc.
 Springfield, IL Phone: (217)544-8033

USER NAME = *USER*	DESIGNED - _____	REVISED - _____
PLOT SCALE = *SCALE*	DRAWN - _____	REVISED - _____
PLOT DATE = *DATE*	CHECKED - _____	REVISED - _____
	DATE - _____	REVISED - _____

STATE OF ILLINOIS
DEPARTMENT OF TRANSPORTATION

CROSS SECTIONS
 SCALE: _____ SHEET NO. 283 OF 319 SHEETS STA. 572+00.00 TO STA. 572+50.00

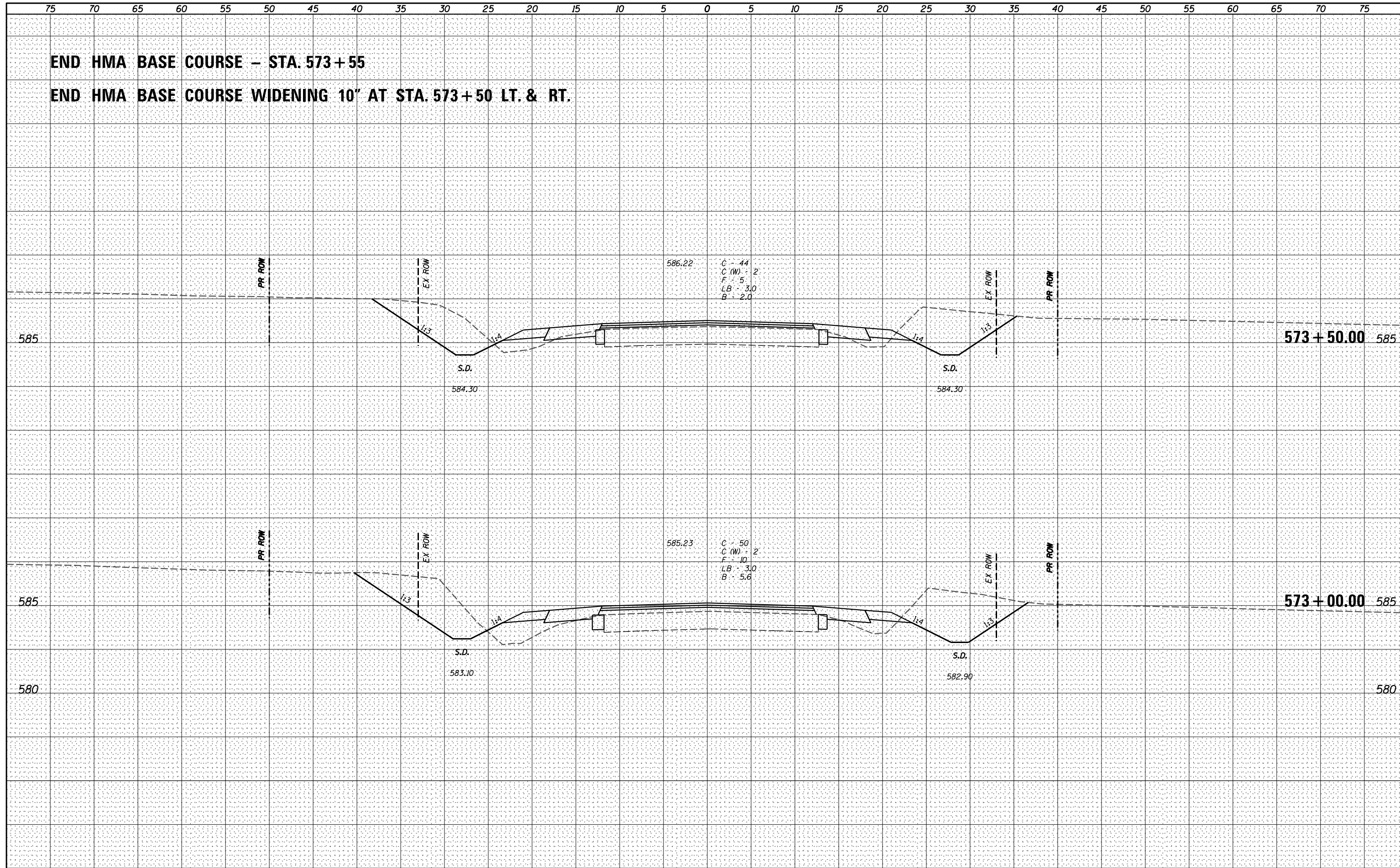
F.A.P. RTE.	SECTION	COUNTY	TOTAL SHEETS	SHEET NO.
67	W(RS-6), (106)RS-4, BP	SANGAMON	486	441
			CONTRACT NO. 72B37	
ILLINOIS FED. AID PROJECT				

END HMA BASE COURSE - STA. 573+55

END HMA BASE COURSE WIDENING 10" AT STA. 573+50 LT. & RT.

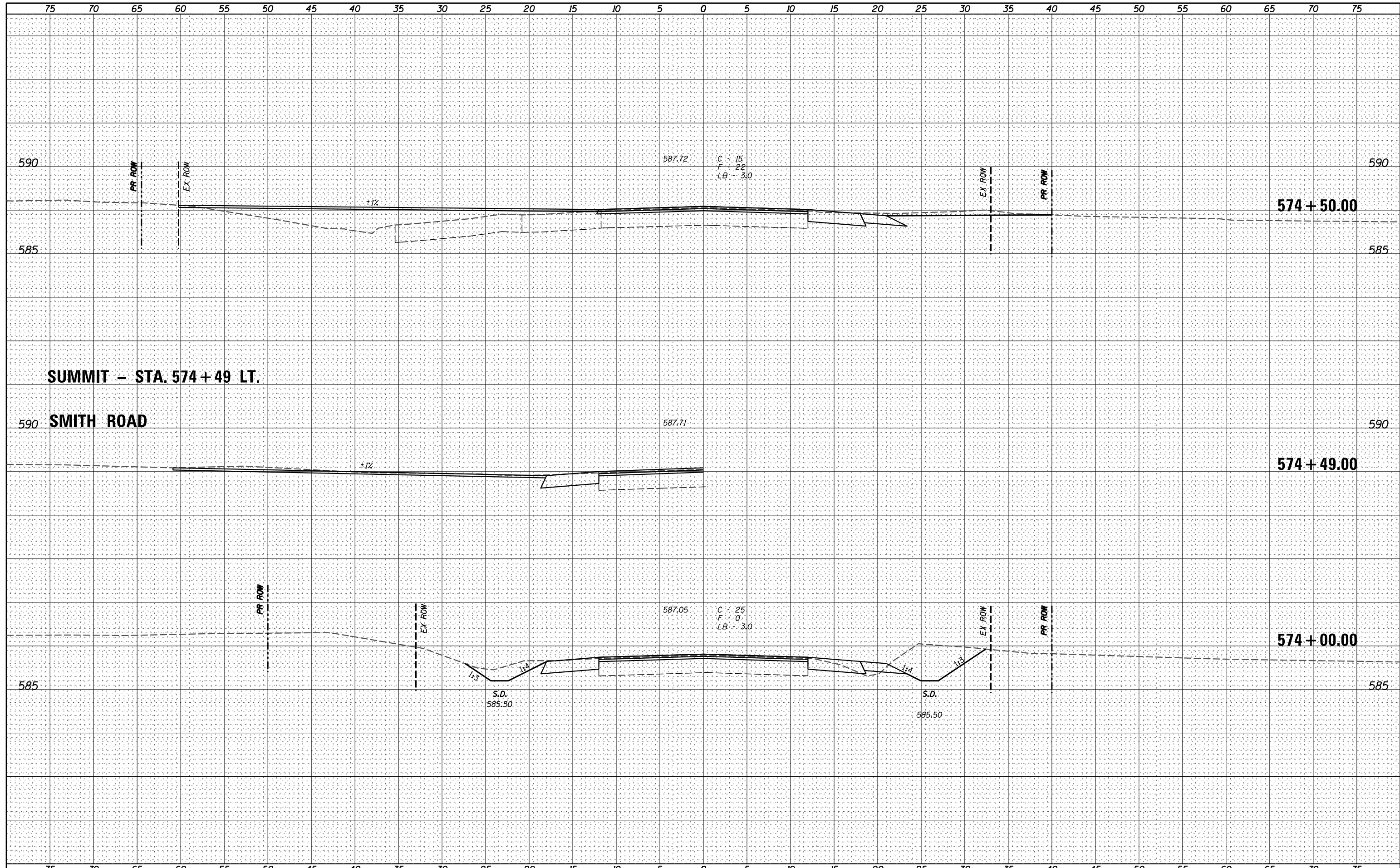
DATE	
BY	
FINAL SURVEY	
PLOTTED	
TEMPLATE	
NOTE BOOK	
AREAS CHECKED	
NO.	

DATE	
BY	
ORIGINAL SURVEY	
PLOTTED	
TEMPLATE	
NOTE BOOK	
AREAS CHECKED	
NO.	



DATE _____
 BY _____
 SURVEYED _____
 PLOTTED _____
 TEMPLATE _____
 AREAS _____
 CHECKED _____
 NO. _____

DATE _____
 BY _____
 SURVEYED _____
 PLOTTED _____
 TEMPLATE _____
 AREAS _____
 CHECKED _____
 NO. _____



Veenstra & Kimm, Inc.
 Springfield, IL Phone: (217)544-8033

USER NAME = *USER*	DESIGNED - _____	REVISED - _____
	DRAWN - _____	REVISED - _____
PLOT SCALE = *SCALE*	CHECKED - _____	REVISED - _____
PLOT DATE = *DATE*	DATE - _____	REVISED - _____

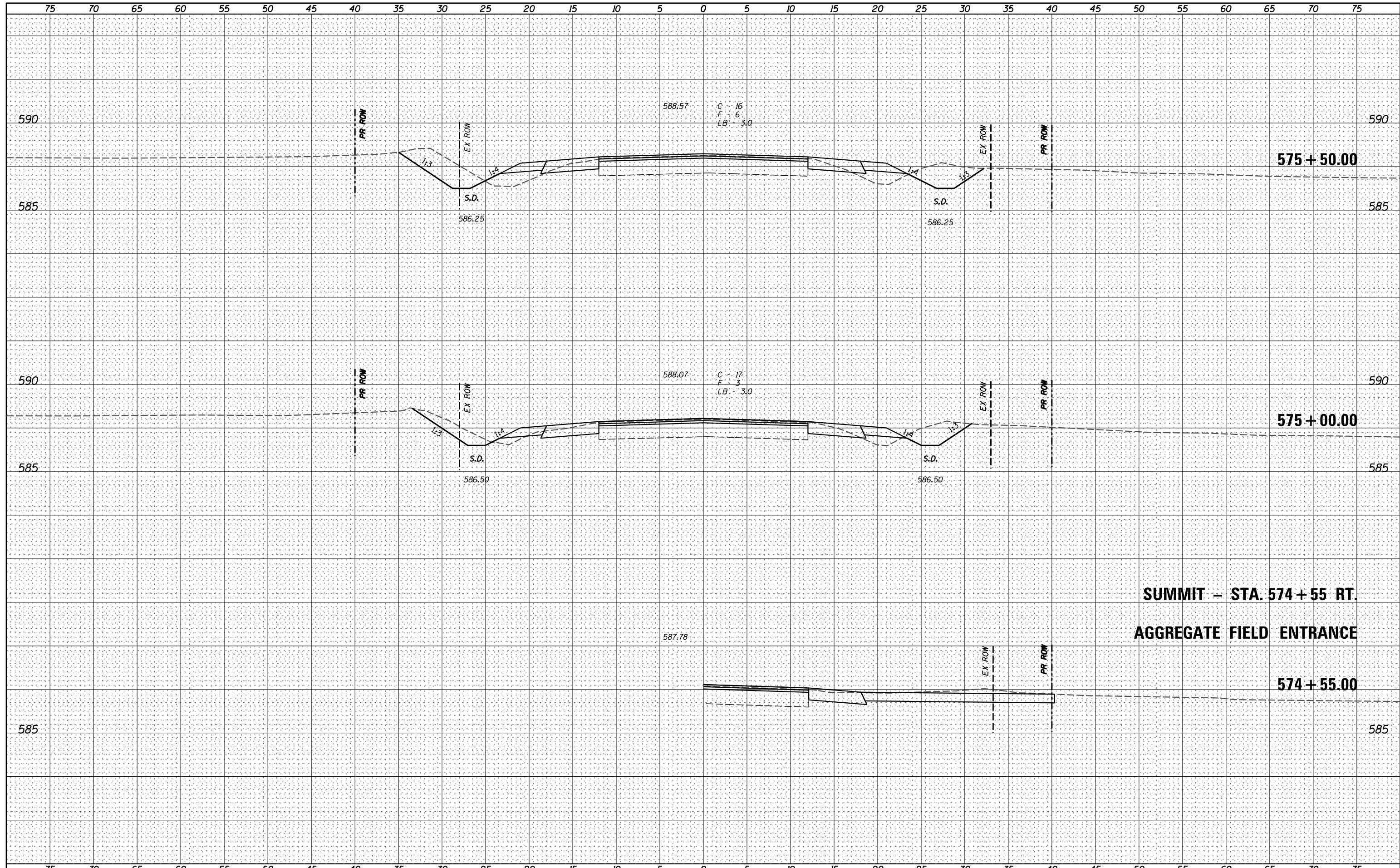
STATE OF ILLINOIS
DEPARTMENT OF TRANSPORTATION

CROSS SECTIONS
 SCALE: _____ SHEET NO. 285 OF 319 SHEETS STA. 574+00.00 TO STA. 574+50.00

F.A.P. RTE.	SECTION	COUNTY	TOTAL SHEETS	SHEET NO.
67	W(RS-6), (106)RS-4, BP	SANGAMON	486	443
CONTRACT NO. 72B37			ILLINOIS FED. AID PROJECT	

DATE _____
 BY _____
 ORIGINAL SURVEY NO. _____
 SURVEYED PLOTTED AREAS CHECKED
 NOTE BOOK TEMPLATE AREAS CHECKED

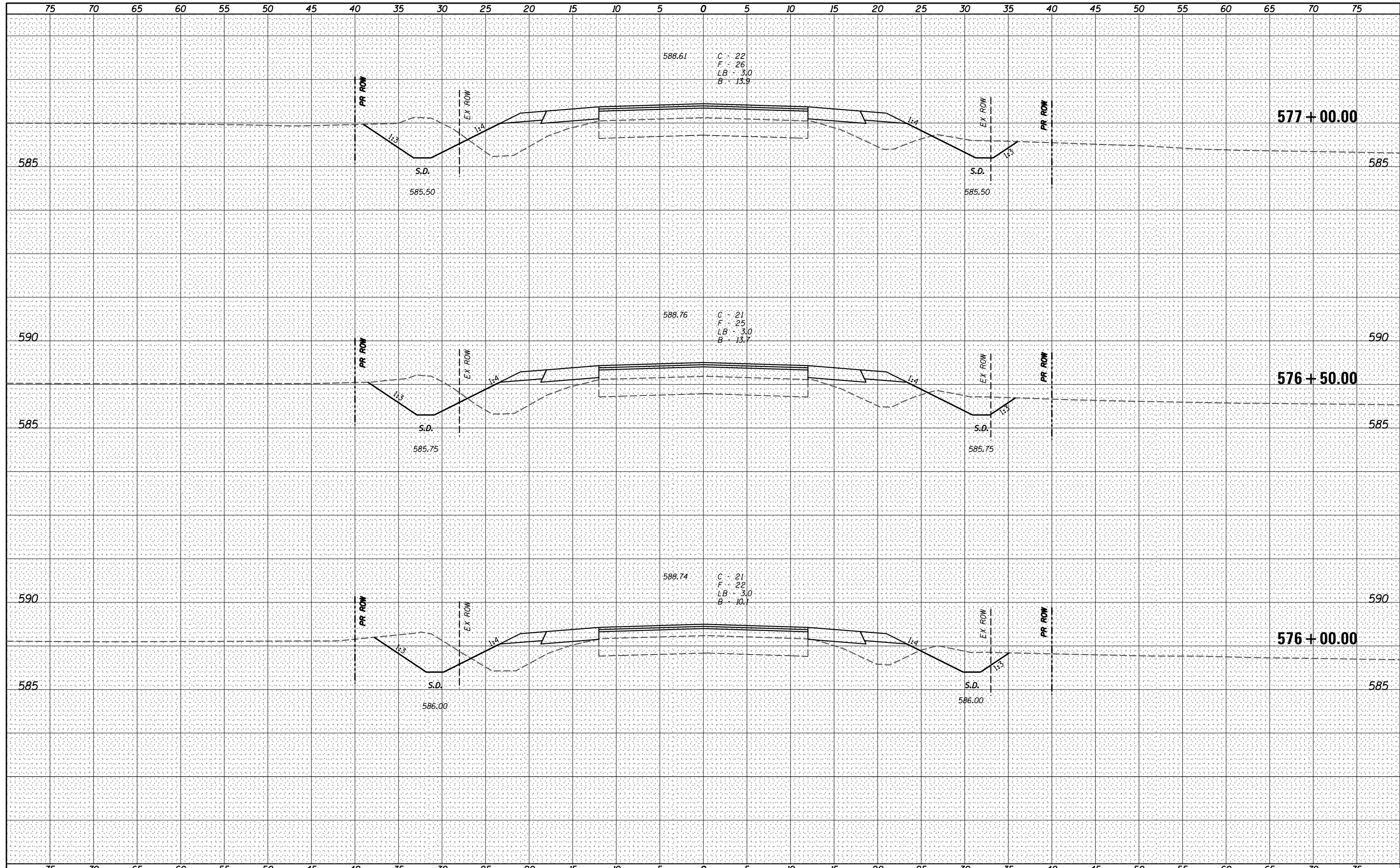
DATE _____
 BY _____
 ORIGINAL SURVEY NO. _____
 SURVEYED PLOTTED AREAS CHECKED
 NOTE BOOK TEMPLATE AREAS CHECKED



SUMMIT - STA. 574 + 55 RT.
AGGREGATE FIELD ENTRANCE

DATE _____
 BY _____
 ORIGINAL SURVEY NO. _____
 SURVEYED PLOTTED AREAS CHECKED
 FINISHED SURVEY NO. _____
 SURVEYED PLOTTED AREAS CHECKED

DATE _____
 BY _____
 ORIGINAL SURVEY NO. _____
 SURVEYED PLOTTED AREAS CHECKED



Veenstra & Kimm, Inc.
 Springfield, IL Phone: (217)544-8033

USER NAME = *USER*	DESIGNED - _____	REVISED - _____
PLOT SCALE = *SCALE*	DRAWN - _____	REVISED - _____
PLOT DATE = *DATE*	CHECKED - _____	REVISED - _____
	DATE - _____	REVISED - _____

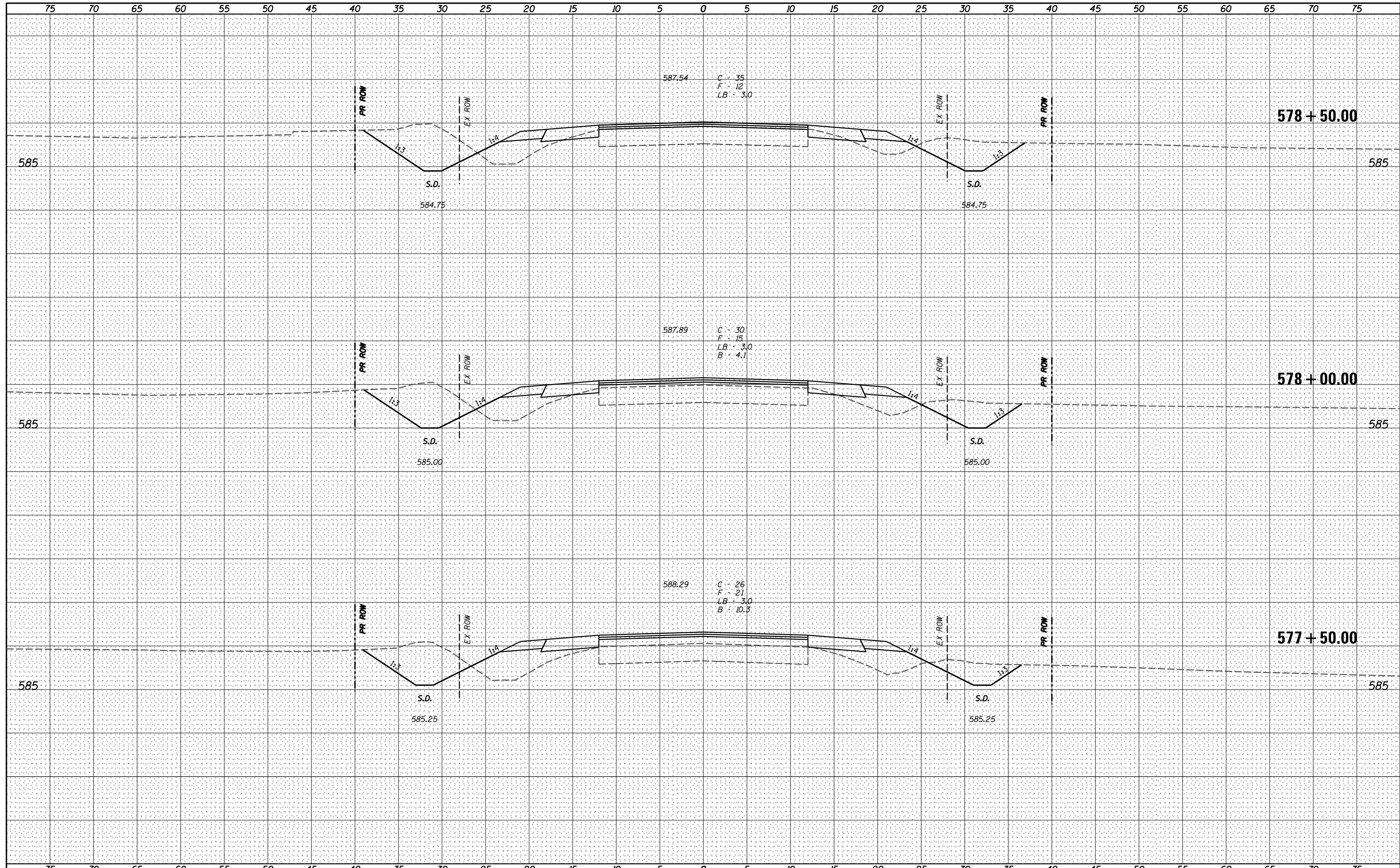
**STATE OF ILLINOIS
 DEPARTMENT OF TRANSPORTATION**

CROSS SECTIONS
 SCALE: _____ SHEET NO. 287 OF 319 SHEETS STA. 576+00.00 TO STA. 577+00.00

F.A.P. RTE.	SECTION	COUNTY	TOTAL SHEETS	SHEET NO.
67	W(RS-6), (106)RS-4, BP	SANGAMON	486	445
CONTRACT NO. 72B37			ILLINOIS FED. AID PROJECT	

DATE _____
 BY _____
 ORIGINAL SURVEY NO. _____
 SURVEYED PLOTTED AREAS CHECKED
 TEMPLATE AREAS CHECKED
 NOTE BOOK AREAS CHECKED

DATE _____
 BY _____
 ORIGINAL SURVEY NO. _____
 SURVEYED PLOTTED AREAS CHECKED
 TEMPLATE AREAS CHECKED
 NOTE BOOK AREAS CHECKED



V&K
 Veenstra & Kimm, Inc.
 Springfield, IL Phone: (217)544-8033

USER NAME = *USER*	DESIGNED - _____	REVISED - _____
PLOT SCALE = *SCALE*	DRAWN - _____	REVISED - _____
PLOT DATE = *DATE*	CHECKED - _____	REVISED - _____
	DATE - _____	REVISED - _____

**STATE OF ILLINOIS
 DEPARTMENT OF TRANSPORTATION**

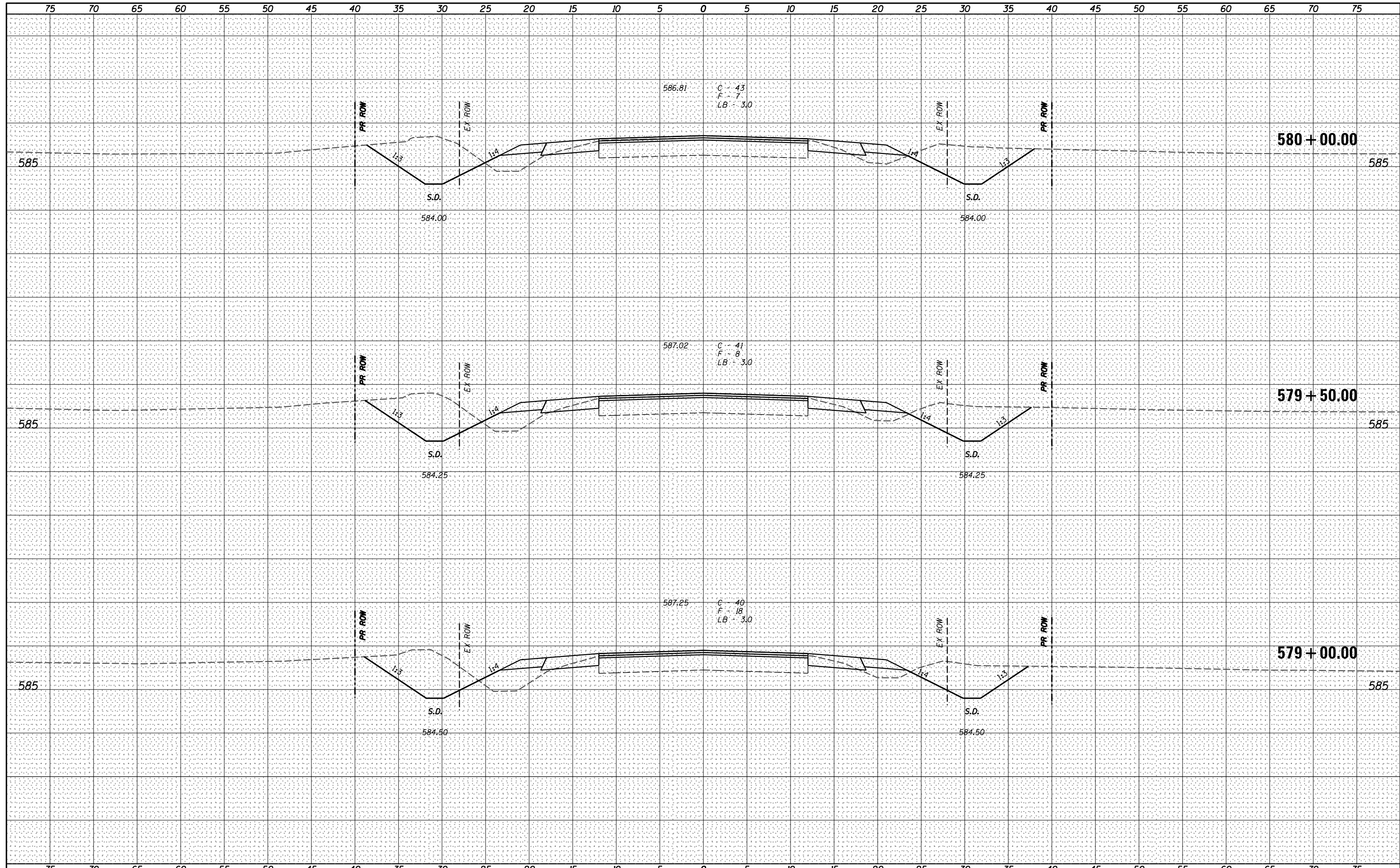
CROSS SECTIONS

SCALE: _____ SHEET NO. 288 OF 319 SHEETS STA. 577+50.00 TO STA. 578+50.00

F.A.P. RTE.	SECTION	COUNTY	TOTAL SHEETS	SHEET NO.
67	W(RS-6), (106)RS-4, BP	SANGAMON	486	446
			CONTRACT NO. 72B37	
ILLINOIS FED. AID PROJECT				

DATE _____
 BY _____
 SURVEYED _____
 PLOTTED _____
 TEMPLATE _____
 NOTE BOOK _____
 AREAS CHECKED _____
 NO. _____

DATE _____
 BY _____
 SURVEYED _____
 PLOTTED _____
 TEMPLATE _____
 NOTE BOOK _____
 AREAS CHECKED _____
 NO. _____



V&K
 Veenstra & Kimm, Inc.
 Springfield, IL Phone: (217)544-8033

USER NAME = *USER*	DESIGNED - _____	REVISED - _____
	DRAWN - _____	REVISED - _____
PLOT SCALE = *SCALE*	CHECKED - _____	REVISED - _____
PLOT DATE = *DATE*	DATE - _____	REVISED - _____

**STATE OF ILLINOIS
 DEPARTMENT OF TRANSPORTATION**

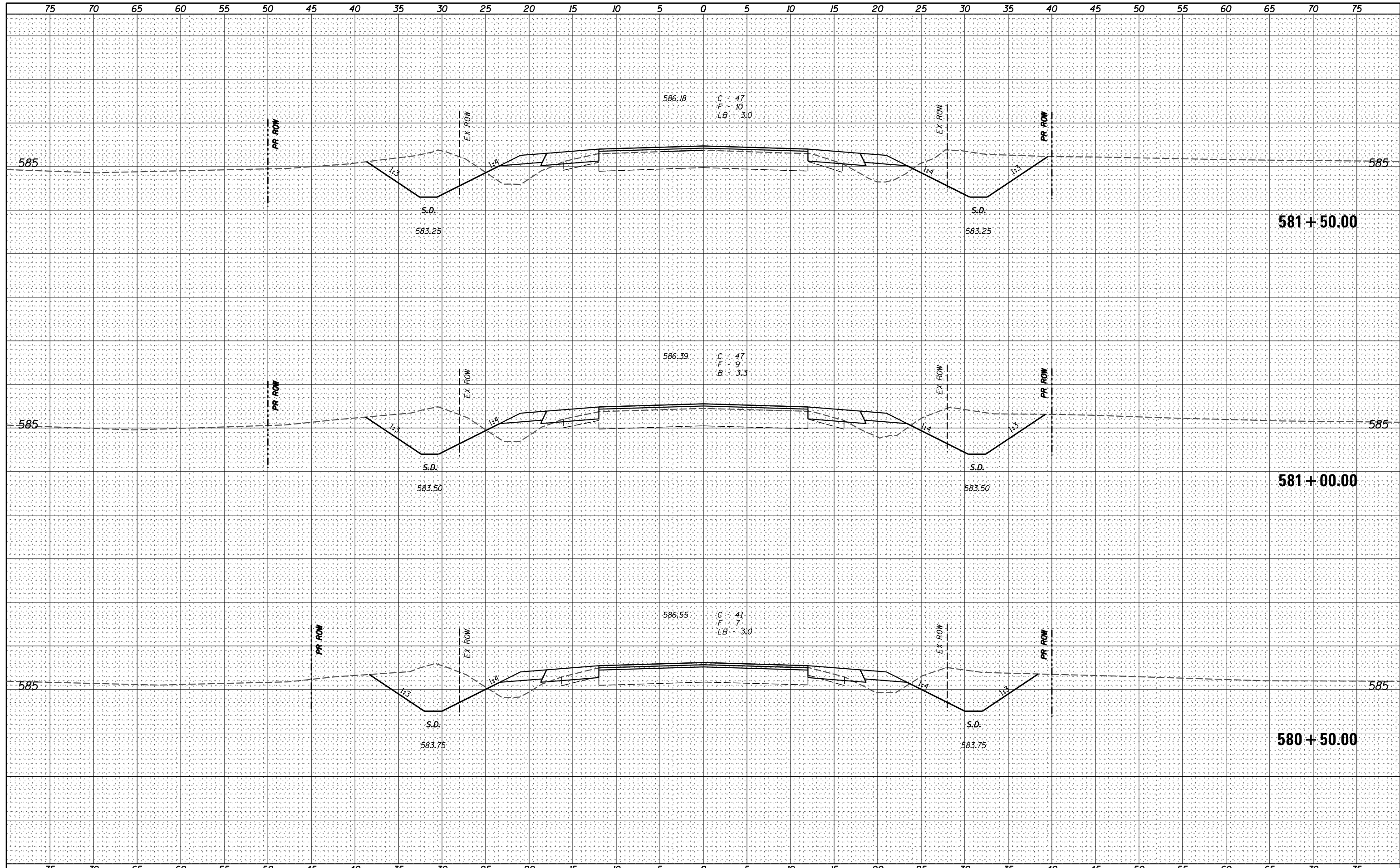
CROSS SECTIONS

SCALE: _____ SHEET NO. 289 OF 319 SHEETS STA. 579+00.00 TO STA. 580+00.00

F.A.P. RTE.	SECTION	COUNTY	TOTAL SHEETS	SHEET NO.
67	W(RS-6), (106)RS-4, BP	SANGAMON	486	447
CONTRACT NO. 72B37				
<small>ILLINOIS FED. AID PROJECT</small>				

DATE _____
 BY _____
 SURVEYED _____
 PLOTTED _____
 TEMPLATE _____
 NOTE BOOK _____
 AREAS CHECKED _____
 NO. _____

DATE _____
 BY _____
 SURVEYED _____
 PLOTTED _____
 TEMPLATE _____
 NOTE BOOK _____
 AREAS CHECKED _____
 NO. _____



Veenstra & Kimm, Inc.
 Springfield, IL Phone: (217)544-8033

USER NAME = *USER*	DESIGNED - _____	REVISED - _____
PLOT SCALE = *SCALE*	DRAWN - _____	REVISED - _____
PLOT DATE = *DATE*	CHECKED - _____	REVISED - _____
	DATE - _____	REVISED - _____

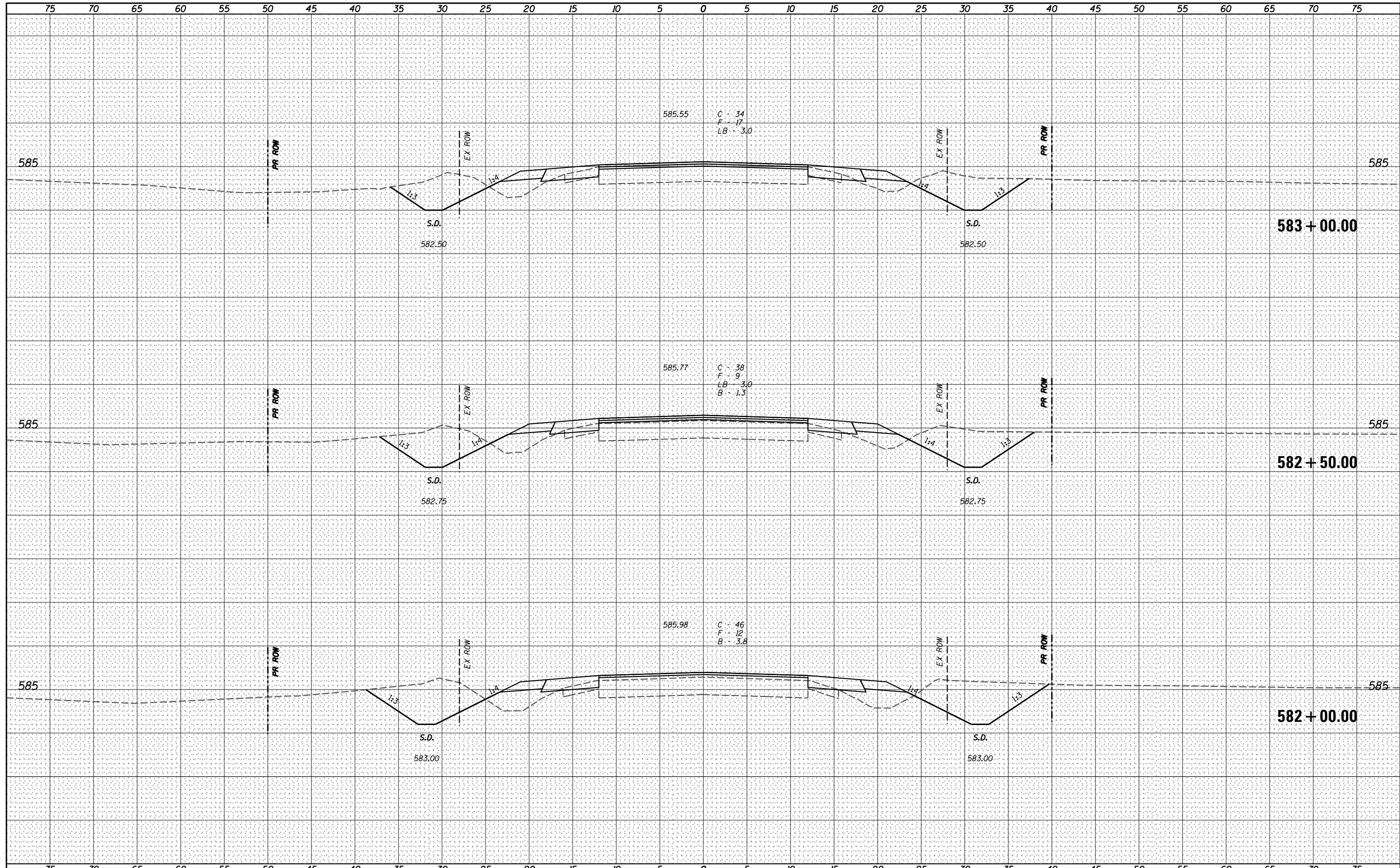
**STATE OF ILLINOIS
 DEPARTMENT OF TRANSPORTATION**

CROSS SECTIONS
 SCALE: _____ SHEET NO. 290 OF 319 SHEETS STA. 580+50.00 TO STA. 581+50.00

F.A.P. RTE.	SECTION	COUNTY	TOTAL SHEETS	SHEET NO.
67	W(RS-6), (106)RS-4, BP	SANGAMON	486	448
CONTRACT NO. 72B37				
ILLINOIS FED. AID PROJECT				

DATE _____
 BY _____
 SURVEYED _____
 PLOTTED _____
 TEMPLATE _____
 NOTE BOOK _____
 AREAS CHECKED _____
 NO. _____

DATE _____
 BY _____
 SURVEYED _____
 PLOTTED _____
 TEMPLATE _____
 NOTE BOOK _____
 AREAS CHECKED _____
 NO. _____



V&K
 Veenstra & Kimm, Inc.
 Springfield, IL Phone: (217)544-8033

USER NAME = *USER*	DESIGNED - _____	REVISED - _____
PLOT SCALE = *SCALE*	DRAWN - _____	REVISED - _____
PLOT DATE = *DATE*	CHECKED - _____	REVISED - _____
	DATE - _____	REVISED - _____

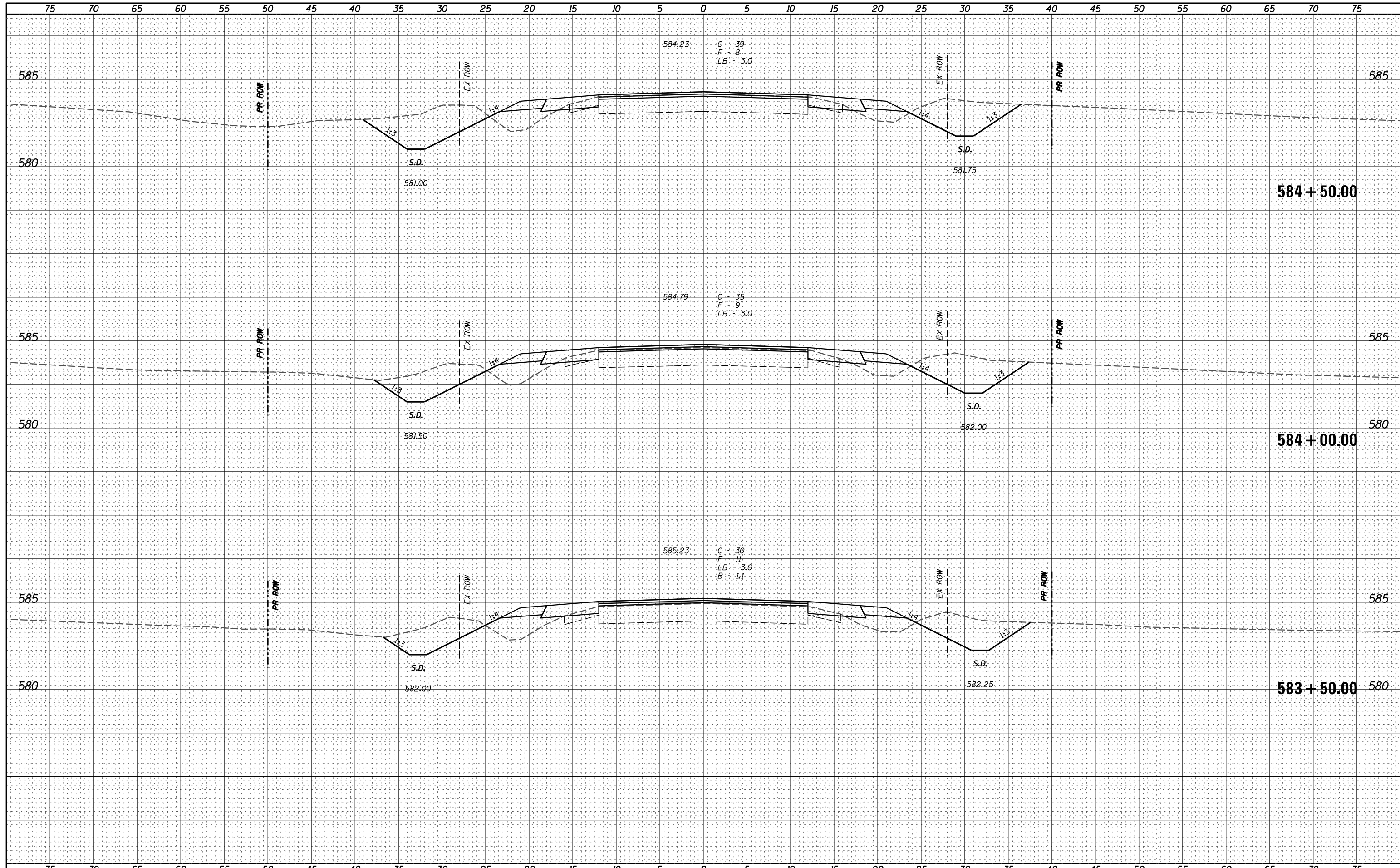
**STATE OF ILLINOIS
 DEPARTMENT OF TRANSPORTATION**

CROSS SECTIONS
 SCALE: _____ SHEET NO. 291 OF 319 SHEETS STA. 582+00.00 TO STA. 583+00.00

F.A.P. RTE.	SECTION	COUNTY	TOTAL SHEETS	SHEET NO.
67	W(RS-6), (106)RS-4, BP	SANGAMON	486	449
CONTRACT NO. 72B37				
<small>ILLINOIS FED. AID PROJECT</small>				

DATE _____
 BY _____
 SURVEYED _____
 PLOTTED _____
 TEMPLATE _____
 NOTE BOOK _____
 AREAS CHECKED _____
 NO. _____

DATE _____
 BY _____
 SURVEYED _____
 PLOTTED _____
 TEMPLATE _____
 NOTE BOOK _____
 AREAS CHECKED _____
 NO. _____



V&K
 Veenstra & Kimm, Inc.
 Springfield, IL Phone: (217)544-8033

USER NAME = *USER*	DESIGNED - _____	REVISED - _____
	DRAWN - _____	REVISED - _____
PLOT SCALE = *SCALE*	CHECKED - _____	REVISED - _____
PLOT DATE = *DATE*	DATE - _____	REVISED - _____

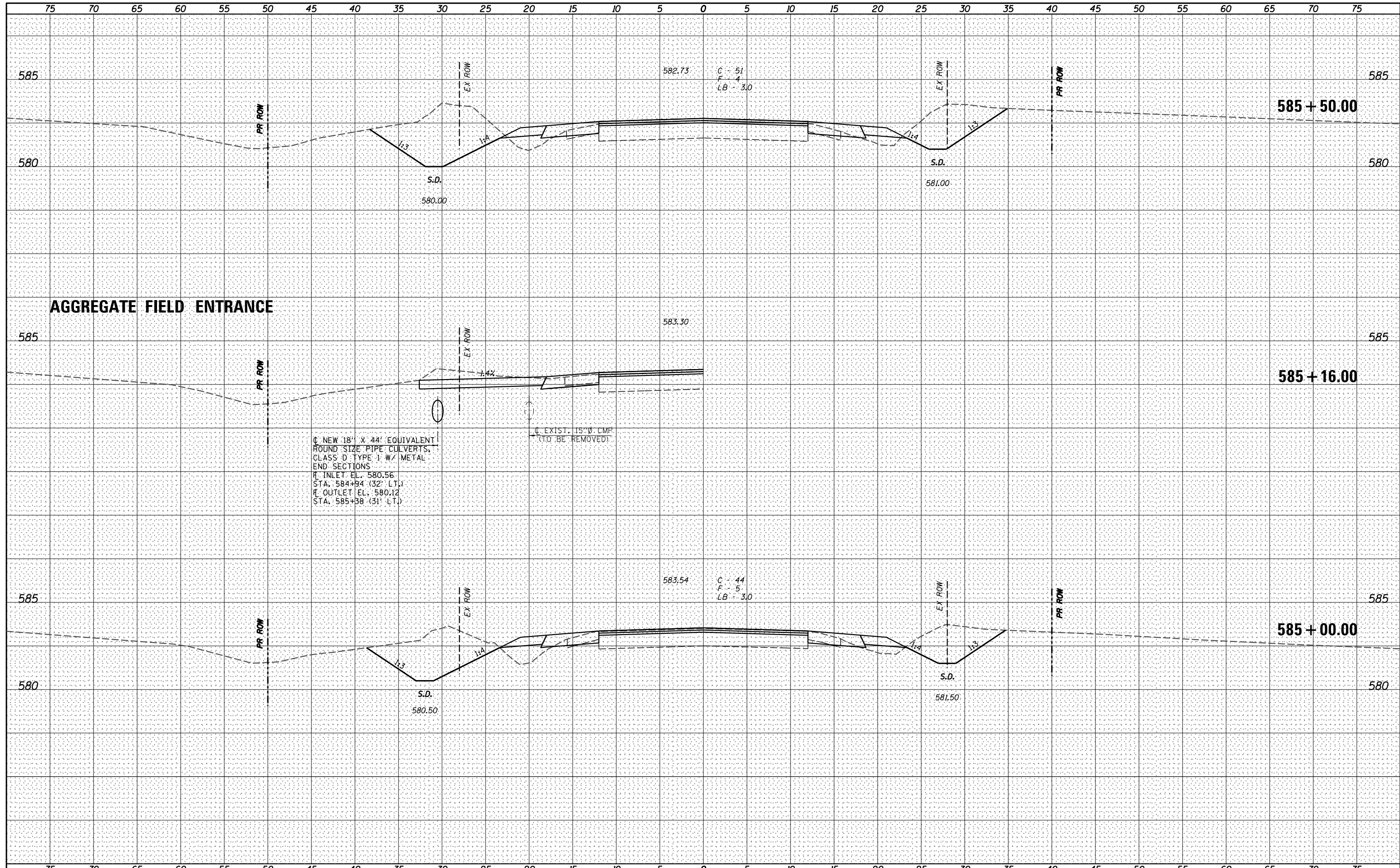
**STATE OF ILLINOIS
 DEPARTMENT OF TRANSPORTATION**

CROSS SECTIONS
 SCALE: _____ SHEET NO. 292 OF 319 SHEETS STA. 583+50.00 TO STA. 584+50.00

F.A.P. RTE.	SECTION	COUNTY	TOTAL SHEETS	SHEET NO.
67	W(RS-6), (106)RS-4, BP	SANGAMON	486	450
CONTRACT NO. 72B37			ILLINOIS FED. AID PROJECT	

DATE	
BY	
SURVEYED	
PLOTTED	
TEMPLATE	
NOTE BOOK	
AREAS CHECKED	
NO.	

DATE	
BY	
SURVEYED	
PLOTTED	
TEMPLATE	
NOTE BOOK	
AREAS CHECKED	
NO.	



C. NEW 18" X 44' EQUIVALENT ROUND SIZE PIPE CULVERTS, CLASS D TYPE 1 W/ METAL END SECTIONS
 H. INLET EL. 580.56
 STA. 584+94 (32' LT.)
 H. OUTLET EL. 580.12
 STA. 585+38 (31' LT.)

C. EXIST. 15"Ø CMP. (TO BE REMOVED)



USER NAME = *USER*	DESIGNED - _____	REVISED - _____
	DRAWN - _____	REVISED - _____
PLOT SCALE = *SCALE*	CHECKED - _____	REVISED - _____
PLOT DATE = *DATE*	DATE - _____	REVISED - _____

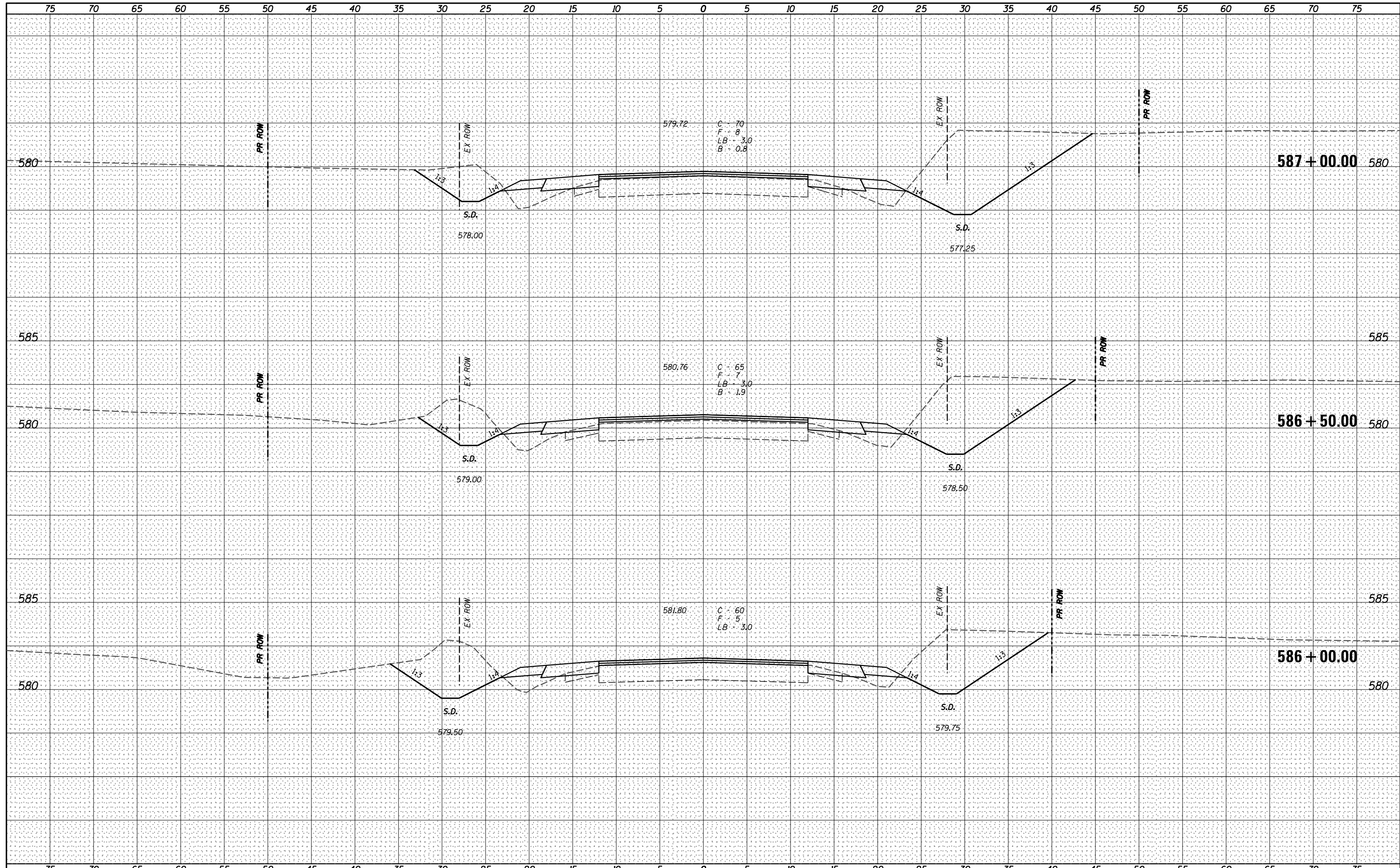
STATE OF ILLINOIS
 DEPARTMENT OF TRANSPORTATION

CROSS SECTIONS
 SCALE: _____ SHEET NO. 293 OF 319 SHEETS STA. 585+00.00 TO STA. 585+50.00

F.A.P. RTE.	SECTION	COUNTY	TOTAL SHEETS	SHEET NO.
67	W(RS-6), (106)RS-4, BP	SANGAMON	486	451
CONTRACT NO. 72B37				
ILLINOIS FED. AID PROJECT				

DATE _____
 BY _____
 SURVEYED _____
 PLOTTED _____
 TEMPLATE _____
 NOTE BOOK _____
 AREAS CHECKED _____
 NO. _____

DATE _____
 BY _____
 SURVEYED _____
 PLOTTED _____
 TEMPLATE _____
 NOTE BOOK _____
 AREAS CHECKED _____
 NO. _____



USER NAME = *USER*	DESIGNED - _____	REVISED - _____
PLOT SCALE = *SCALE*	DRAWN - _____	REVISED - _____
PLOT DATE = *DATE*	CHECKED - _____	REVISED - _____
	DATE - _____	REVISED - _____

**STATE OF ILLINOIS
 DEPARTMENT OF TRANSPORTATION**

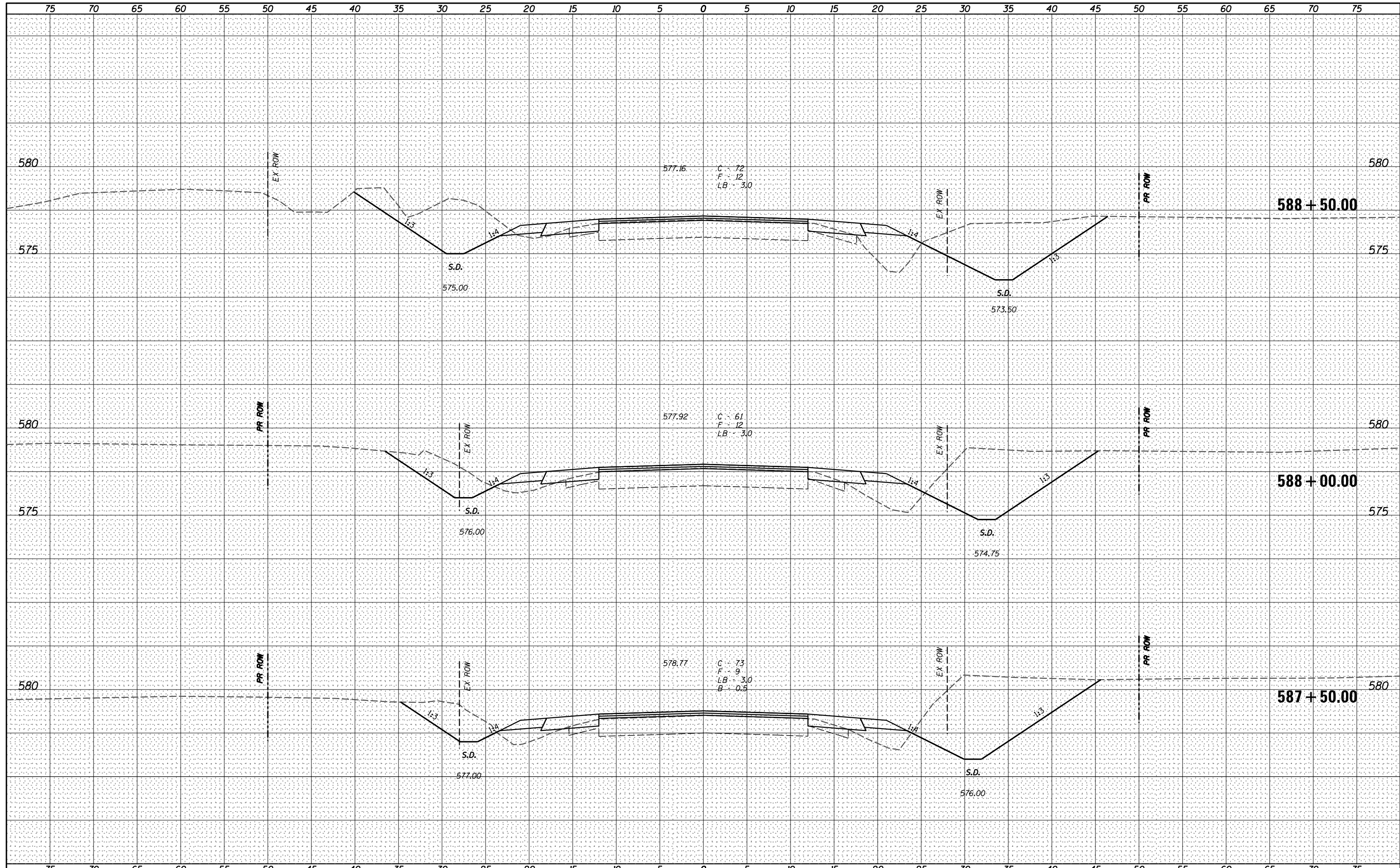
CROSS SECTIONS

SCALE: _____ SHEET NO. 294 OF 319 SHEETS STA. 586+00.00 TO STA. 587+00.00

F.A.P. RTE.	SECTION	COUNTY	TOTAL SHEETS	SHEET NO.
67	W(RS-6), (106)RS-4, BP	SANGAMON	486	452
			CONTRACT NO. 72B37	
ILLINOIS FED. AID PROJECT				

DATE _____
 BY _____
 SURVEYED _____
 PLOTTED _____
 TEMPLATE _____
 NOTE BOOK _____
 AREAS CHECKED _____
 NO. _____

DATE _____
 BY _____
 SURVEYED _____
 PLOTTED _____
 TEMPLATE _____
 NOTE BOOK _____
 AREAS CHECKED _____
 NO. _____



V&K
 Veenstra & Kimm, Inc.
 Springfield, IL Phone: (217)544-8033

USER NAME = *USER*	DESIGNED - _____	REVISED - _____
PLOT SCALE = *SCALE*	DRAWN - _____	REVISED - _____
PLOT DATE = *DATE*	CHECKED - _____	REVISED - _____
	DATE - _____	REVISED - _____

**STATE OF ILLINOIS
 DEPARTMENT OF TRANSPORTATION**

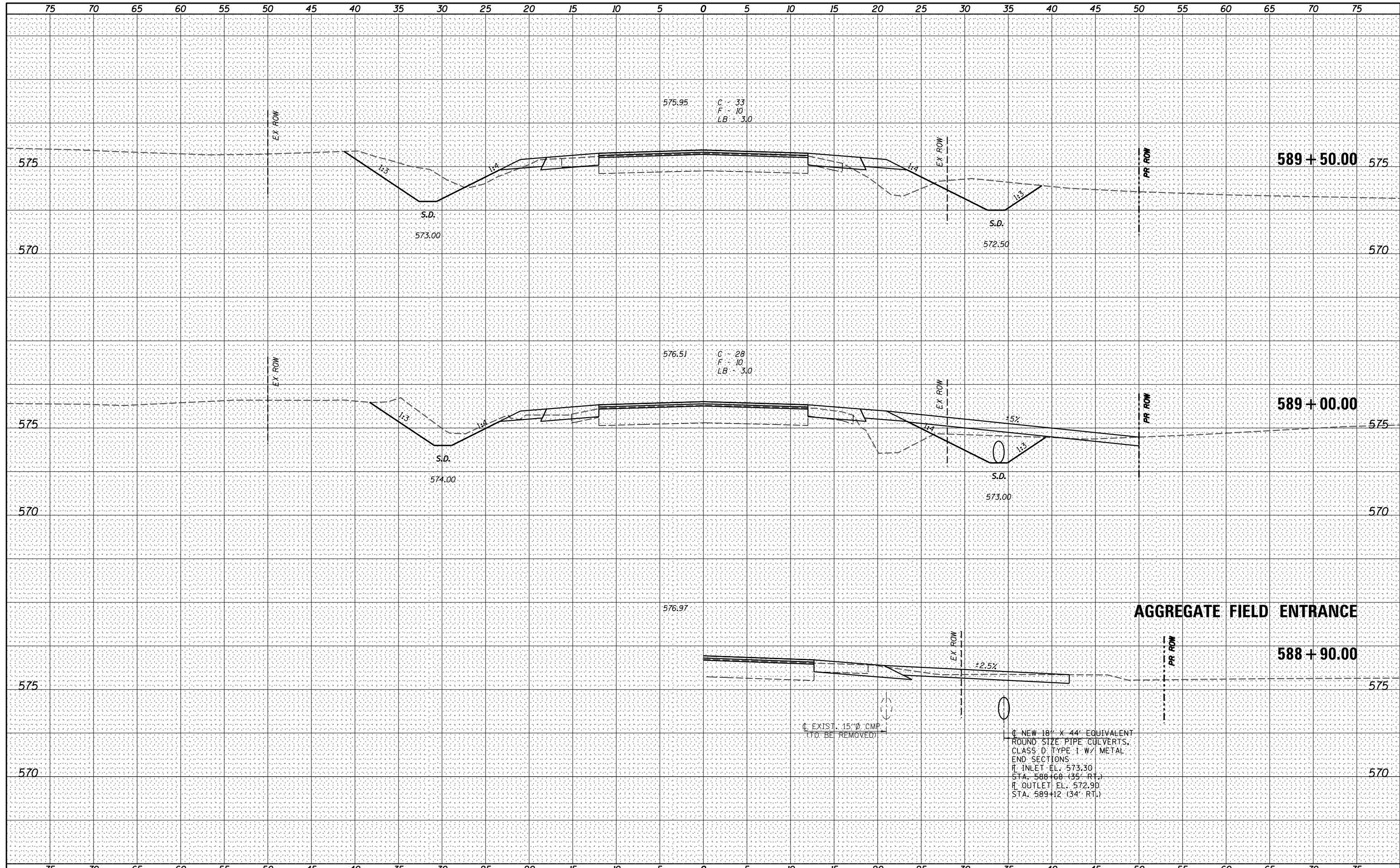
CROSS SECTIONS

SCALE: _____ SHEET NO. 295 OF 319 SHEETS STA. 587+50.00 TO STA. 588+50.00

F.A.P. RTE.	SECTION	COUNTY	TOTAL SHEETS	SHEET NO.
67	W(RS-6), (106)RS-4, BP	SANGAMON	486	453
			CONTRACT NO. 72B37	
ILLINOIS FED. AID PROJECT				

DATE	
BY	
FINAL SURVEY	SURVEYED
NOTE BOOK	PLOTTED
NO.	TEMPLATE
	AREAS CHECKED

DATE	
BY	
ORIGINAL SURVEY	SURVEYED
NOTE BOOK	PLOTTED
NO.	TEMPLATE
	AREAS CHECKED



V&K
Veenstra & Kimm, Inc.
 Springfield, IL Phone: (217)544-8033

USER NAME = *USER*	DESIGNED - _____	REVISED - _____
	DRAWN - _____	REVISED - _____
PLOT SCALE = *SCALE*	CHECKED - _____	REVISED - _____
PLOT DATE = *DATE*	DATE - _____	REVISED - _____

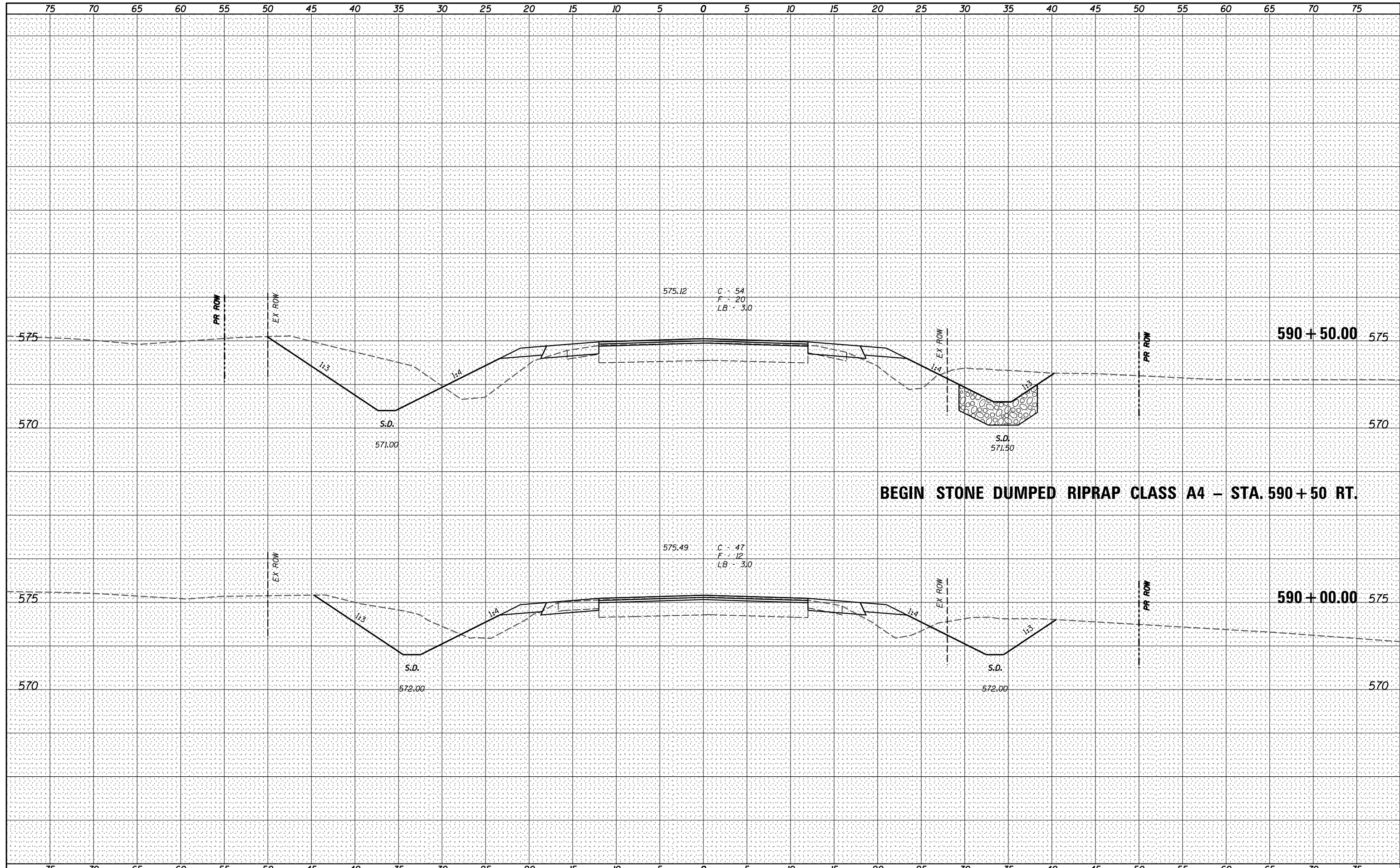
STATE OF ILLINOIS
DEPARTMENT OF TRANSPORTATION

CROSS SECTIONS
 SCALE: _____ SHEET NO. 296 OF 319 SHEETS STA. 588+63.95 TO STA. 589+50.00

F.A.P. RTE.	SECTION	COUNTY	TOTAL SHEETS	SHEET NO.
67	W(RS-6), (106)RS-4, BP	SANGAMON	486	454
CONTRACT NO. 72B37			ILLINOIS FED. AID PROJECT	

DATE	
BY	
FINAL SURVEY	SURVEYED
NOTE BOOK	PLOTTED
NO.	TEMPLATE
	AREAS
	CHECKED

DATE	
BY	
ORIGINAL SURVEY	SURVEYED
NOTE BOOK	PLOTTED
NO.	TEMPLATE
	AREAS
	CHECKED



BEGIN STONE DUMPED RIPRAP CLASS A4 - STA. 590+50 RT.

V&K
Veenstra & Kimm, Inc.
 Springfield, IL Phone: (217)544-8033

USER NAME = *USER*	DESIGNED - _____	REVISED - _____
PLOT SCALE = *SCALE*	DRAWN - _____	REVISED - _____
PLOT DATE = *DATE*	CHECKED - _____	REVISED - _____
	DATE - _____	REVISED - _____

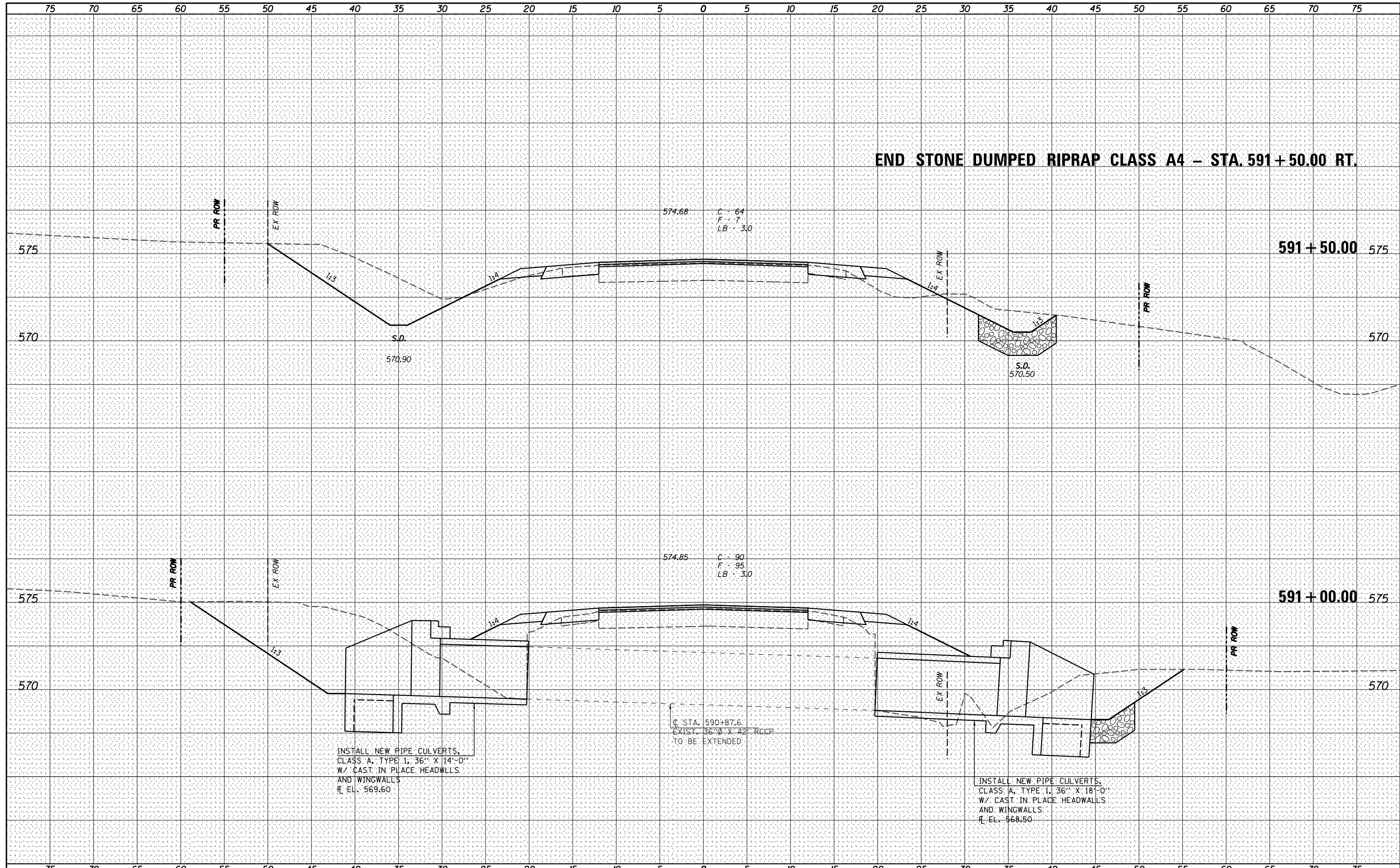
STATE OF ILLINOIS
DEPARTMENT OF TRANSPORTATION

CROSS SECTIONS
 SCALE: _____ SHEET NO. 297 OF 319 SHEETS STA. 590+00.00 TO STA. 590+50.00

F.A.P. RTE.	SECTION	COUNTY	TOTAL SHEETS	SHEET NO.
67	W(RS-6), (106)RS-4, BP	SANGAMON	486	455
CONTRACT NO. 72B37			ILLINOIS FED. AID PROJECT	

DATE	
BY	
FINAL SURVEY	SURVEYED
NOTE BOOK	PLOTTED
NO.	TEMPLATE
	AREAS CHECKED
	AREAS CHECKED

DATE	
BY	
ORIGINAL SURVEY	SURVEYED
NOTE BOOK	PLOTTED
NO.	TEMPLATE
	AREAS CHECKED
	AREAS CHECKED



END STONE DUMPED RIPRAP CLASS A4 - STA. 591+50.00 RT.

INSTALL NEW PIPE CULVERTS,
CLASS A, TYPE I, 36" X 14'-0"
W/ CAST IN PLACE HEADWLLS
AND WINGWALLS
FL EL. 569.60

C. STA. 590+87.6
EXIST. 36" X 42" RCCP
TO BE EXTENDED

INSTALL NEW PIPE CULVERTS,
CLASS A, TYPE I, 36" X 18'-0"
W/ CAST IN PLACE HEADWLLS
AND WINGWALLS
FL EL. 568.50



USER NAME = *USER*	DESIGNED - _____	REVISED - _____
PLOT SCALE = *SCALE*	DRAWN - _____	REVISED - _____
PLOT DATE = *DATE*	CHECKED - _____	REVISED - _____
	DATE - _____	REVISED - _____

STATE OF ILLINOIS
DEPARTMENT OF TRANSPORTATION

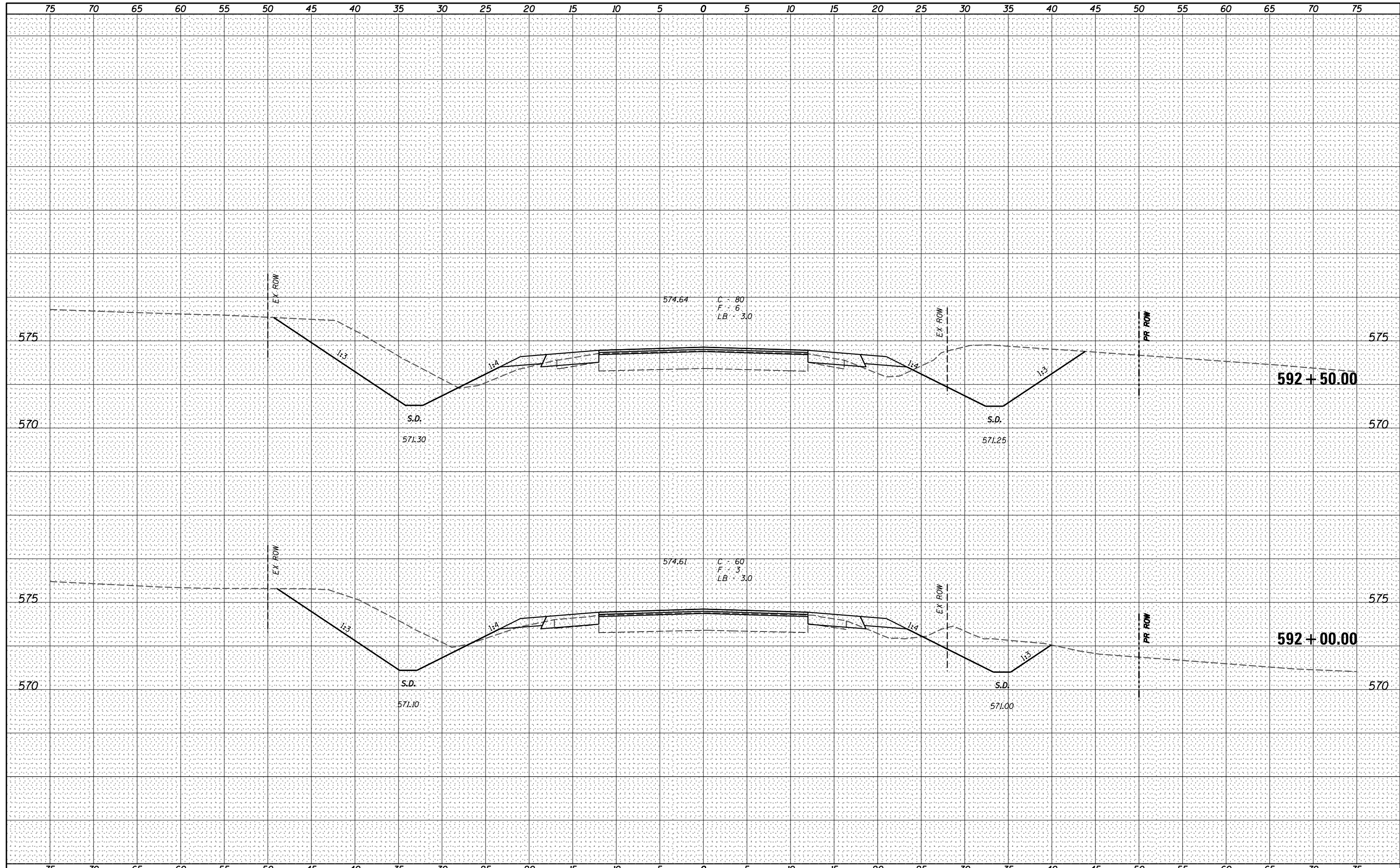
CROSS SECTIONS

SCALE: _____ SHEET NO. 298 OF 319 SHEETS STA. 591+00.00 TO STA. 591+50.00

F.A.P. RTE.	SECTION	COUNTY	TOTAL SHEETS	SHEET NO.
67	W(RS-6), (106)RS-4, BP	SANGAMON	486	456
CONTRACT NO. 72B37			ILLINOIS FED. AID PROJECT	

DATE	
BY	
FINAL SURVEY	
PLOTTED	
TEMPLATE	
NOTE BOOK	
AREAS CHECKED	
NO.	

DATE	
BY	
ORIGINAL SURVEY	
PLOTTED	
TEMPLATE	
NOTE BOOK	
AREAS CHECKED	
NO.	



Veenstra & Kimm, Inc.
Springfield, IL Phone: (217)544-8033

USER NAME = *USER*	DESIGNED - _____	REVISED - _____
	DRAWN - _____	REVISED - _____
PLOT SCALE = *SCALE*	CHECKED - _____	REVISED - _____
PLOT DATE = *DATE*	DATE - _____	REVISED - _____

**STATE OF ILLINOIS
DEPARTMENT OF TRANSPORTATION**

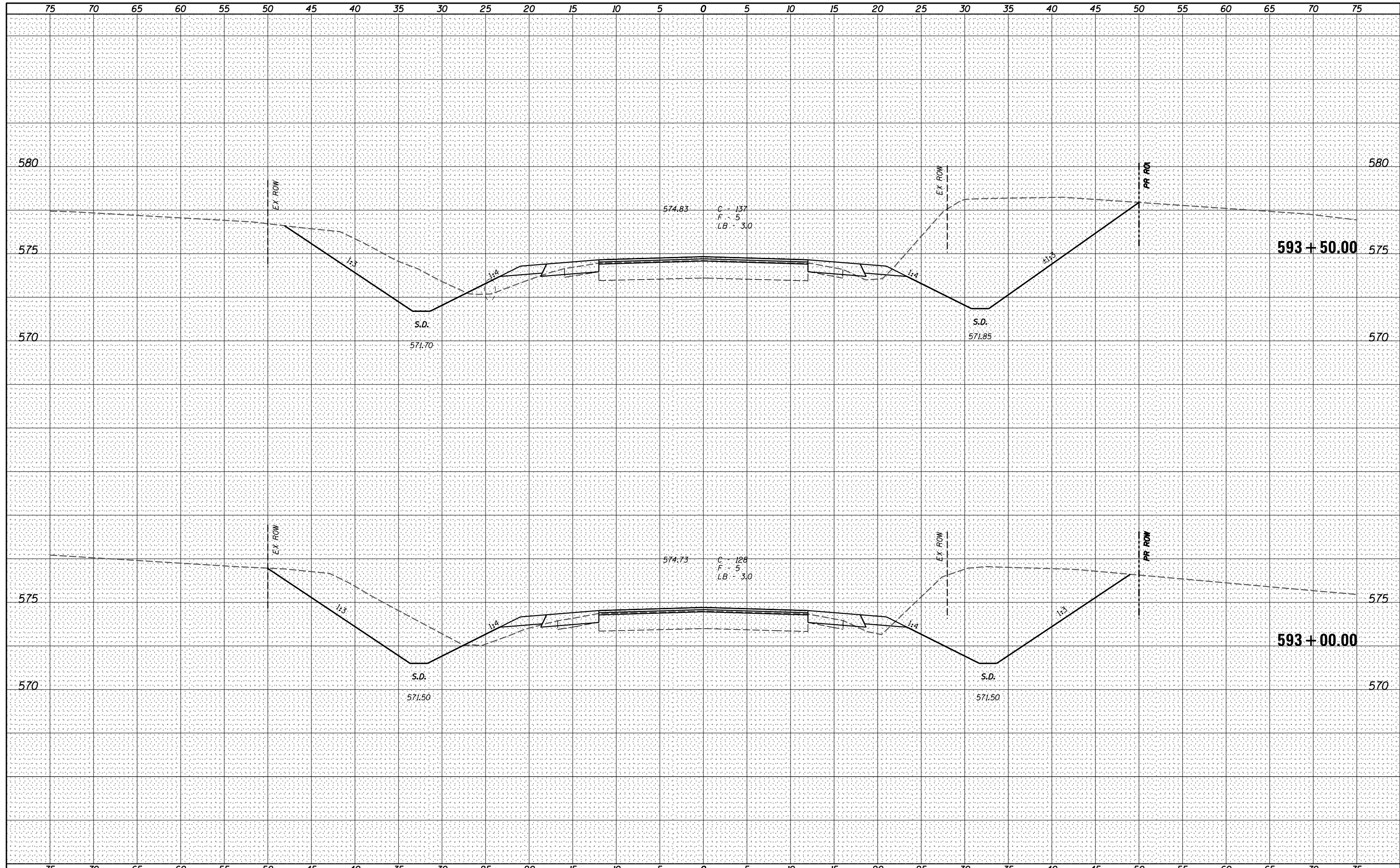
CROSS SECTIONS

SCALE: _____ SHEET NO. 299 OF 319 SHEETS STA. 592+00.00 TO STA. 592+50.00

F.A.P. RTE.	SECTION	COUNTY	TOTAL SHEETS	SHEET NO.
67	W(RS-6), (106)RS-4, BP	SANGAMON	486	457
CONTRACT NO. 72B37				
<small>ILLINOIS FED. AID PROJECT</small>				

DATE _____
 BY _____
 SURVEYED _____
 PLOTTED _____
 TEMPLATE _____
 NOTE BOOK _____
 AREAS _____
 CHECKED _____
 NO. _____

DATE _____
 BY _____
 SURVEYED _____
 PLOTTED _____
 TEMPLATE _____
 NOTE BOOK _____
 AREAS _____
 CHECKED _____
 NO. _____



V&K
 Veenstra & Kimm, Inc.
 Springfield, IL Phone: (217)544-8033

USER NAME = *USER*	DESIGNED - _____	REVISED - _____
PLOT SCALE = *SCALE*	DRAWN - _____	REVISED - _____
PLOT DATE = *DATE*	CHECKED - _____	REVISED - _____
	DATE - _____	REVISED - _____

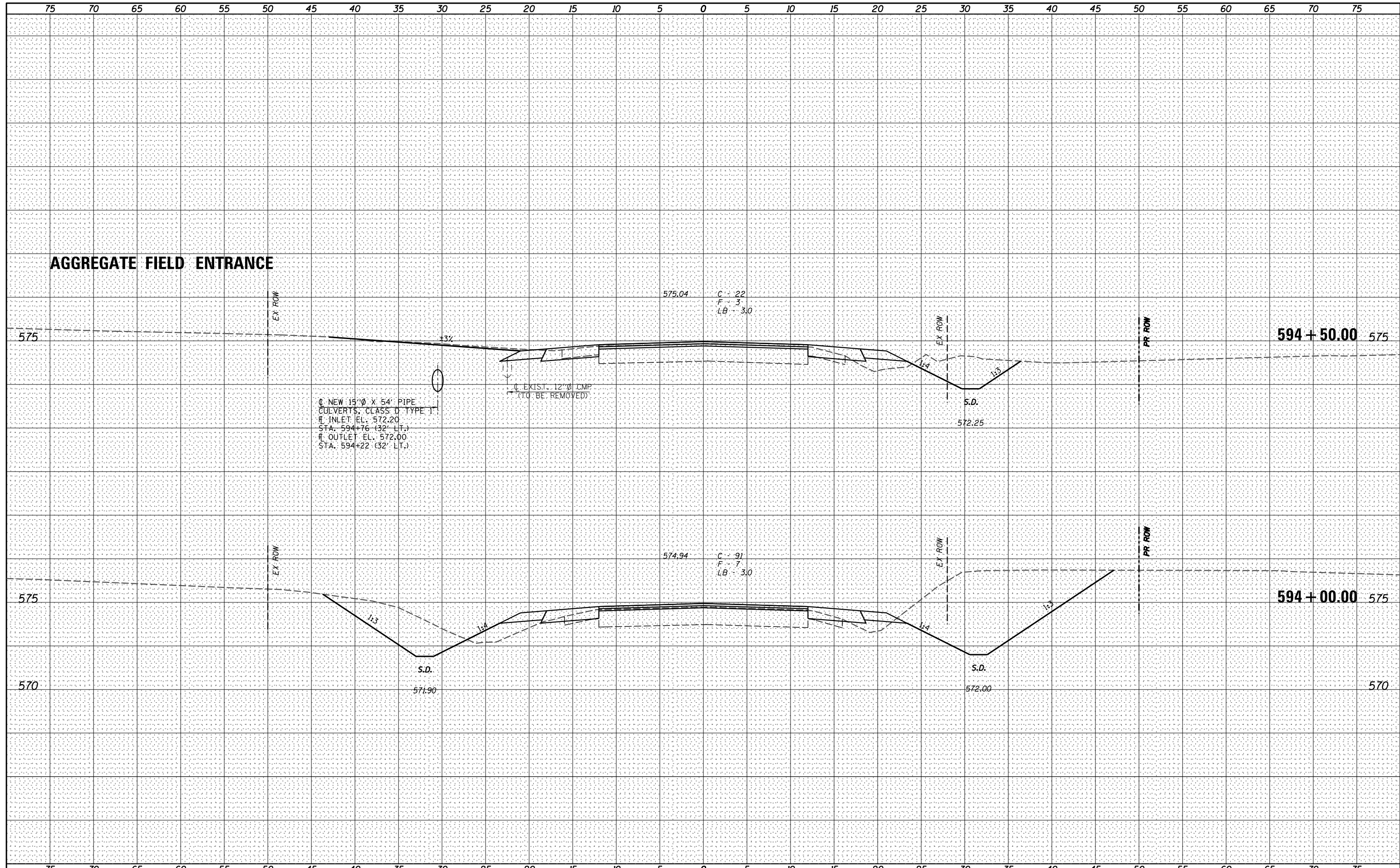
**STATE OF ILLINOIS
 DEPARTMENT OF TRANSPORTATION**

CROSS SECTIONS
 SCALE: _____ SHEET NO. 300 OF 319 SHEETS STA. 593+00.00 TO STA. 593+50.00

F.A.P. RTE.	SECTION	COUNTY	TOTAL SHEETS	SHEET NO.
67	W(RS-6), (106)RS-4, BP	SANGAMON	486	458
CONTRACT NO. 72B37			ILLINOIS FED. AID PROJECT	

DATE	
BY	
FINAL SURVEY	
SURVEYED	
PLOTTED	
TEMPLATE	
NOTE BOOK	
AREAS CHECKED	
NO.	

DATE	
BY	
ORIGINAL SURVEY	
SURVEYED	
PLOTTED	
TEMPLATE	
NOTE BOOK	
AREAS CHECKED	
NO.	



Veenstra & Kimm, Inc.
Springfield, IL Phone: (217)544-8033

USER NAME = *USER*	DESIGNED - _____	REVISED - _____
PLOT SCALE = *SCALE*	DRAWN - _____	REVISED - _____
PLOT DATE = *DATE*	CHECKED - _____	REVISED - _____
	DATE - _____	REVISED - _____

**STATE OF ILLINOIS
DEPARTMENT OF TRANSPORTATION**

CROSS SECTIONS

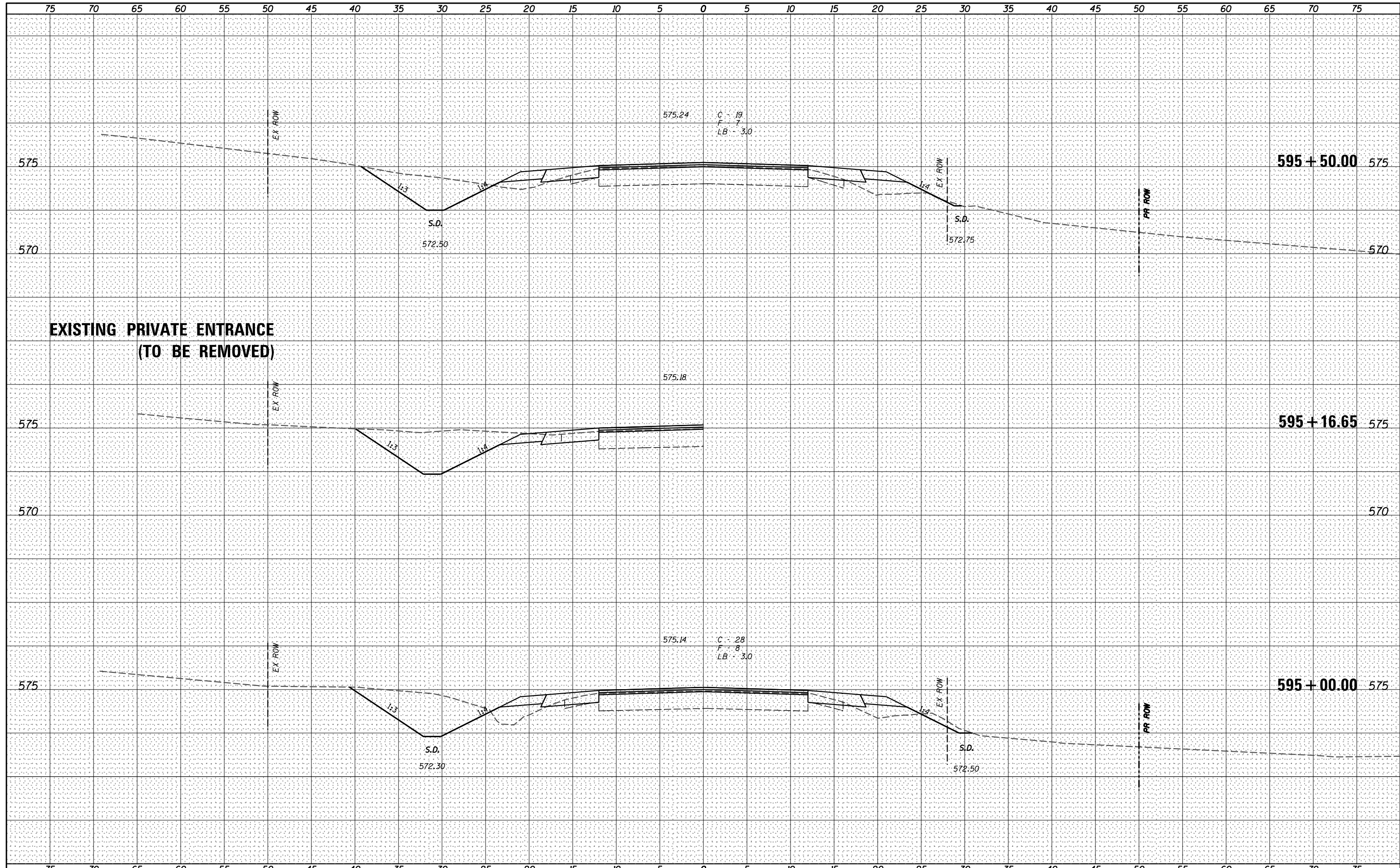
SCALE: _____ SHEET NO. 301 OF 319 SHEETS STA. 594+00.00 TO STA. 594+50.00

F.A.P. RTE.	SECTION	COUNTY	TOTAL SHEETS	SHEET NO.
67	W(RS-6), (106)RS-4, BP	SANGAMON	486	459
CONTRACT NO. 72B37				

ILLINOIS FED. AID PROJECT

DATE _____
 BY _____
 SURVEYED _____
 PLOTTED _____
 TEMPLATE _____
 NOTE BOOK _____
 AREAS _____
 CHECKED _____

DATE _____
 BY _____
 SURVEYED _____
 PLOTTED _____
 TEMPLATE _____
 NOTE BOOK _____
 AREAS _____
 CHECKED _____



**EXISTING PRIVATE ENTRANCE
 (TO BE REMOVED)**

V&K
 Veenstra & Kimm, Inc.
 Springfield, IL Phone: (217)544-8033

USER NAME = *USER*	DESIGNED - _____	REVISED - _____
PLOT SCALE = *SCALE*	DRAWN - _____	REVISED - _____
PLOT DATE = *DATE*	CHECKED - _____	REVISED - _____
	DATE - _____	REVISED - _____

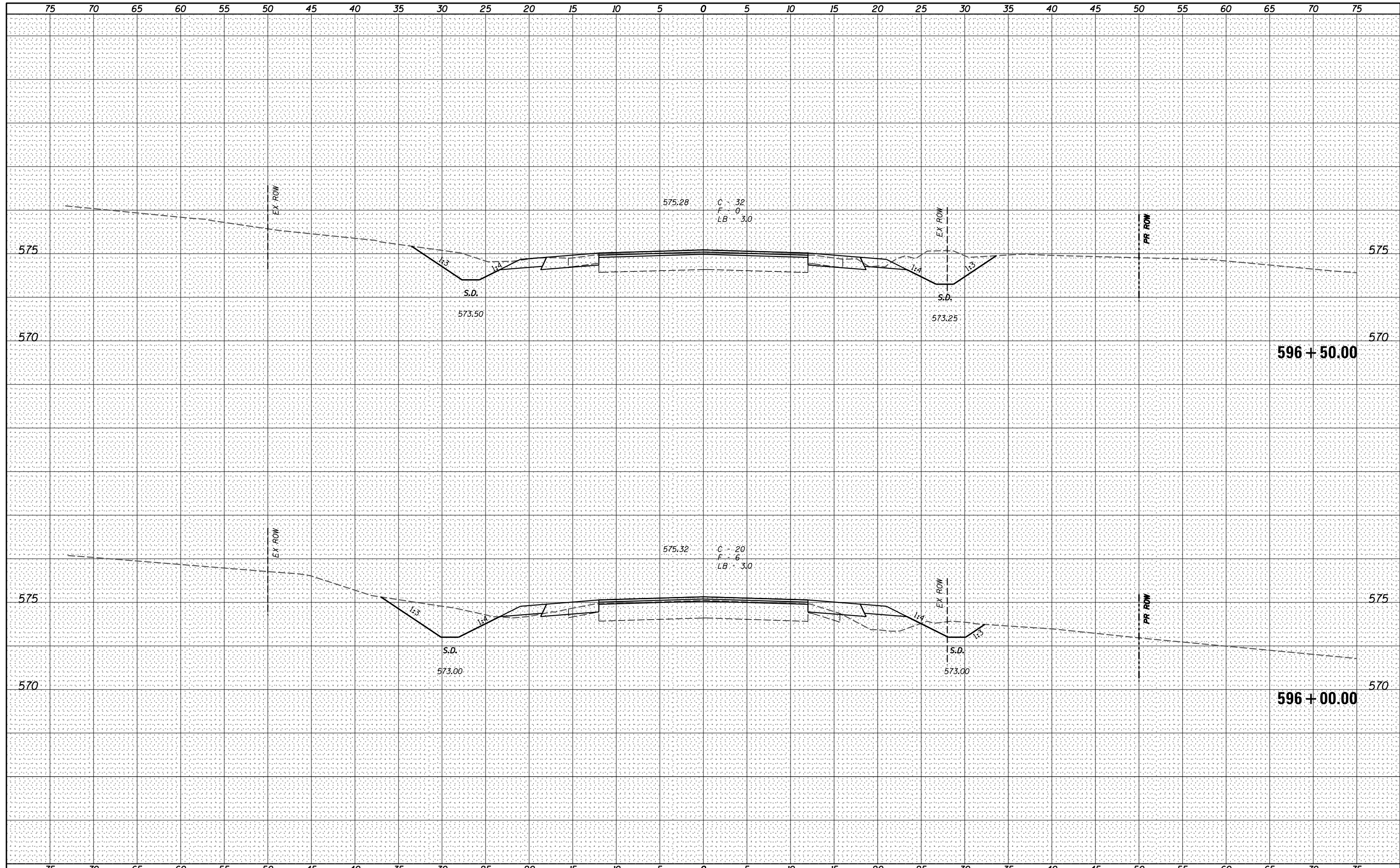
**STATE OF ILLINOIS
 DEPARTMENT OF TRANSPORTATION**

CROSS SECTIONS
 SCALE: _____ SHEET NO. 302 OF 319 SHEETS STA. 595+00.00 TO STA. 595+50.00

F.A.P. RTE.	SECTION	COUNTY	TOTAL SHEETS	SHEET NO.
67	W(RS-6), (106)RS-4, BP	SANGAMON	486	460
			CONTRACT NO. 72B37	
ILLINOIS FED. AID PROJECT				

BY: _____ DATE: _____
 SURVEYED _____
 PLOTTED _____
 TEMPLATE _____
 NOTE BOOK _____
 AREAS CHECKED _____
 NO. _____

BY: _____ DATE: _____
 SURVEYED _____
 PLOTTED _____
 TEMPLATE _____
 NOTE BOOK _____
 AREAS CHECKED _____
 NO. _____



V&K
Veenstra & Kimm, Inc.
 Springfield, IL Phone: (217)544-8033

USER NAME = *USER*	DESIGNED - _____	REVISED - _____
	DRAWN - _____	REVISED - _____
PLOT SCALE = *SCALE*	CHECKED - _____	REVISED - _____
PLOT DATE = *DATE*	DATE - _____	REVISED - _____

STATE OF ILLINOIS
DEPARTMENT OF TRANSPORTATION

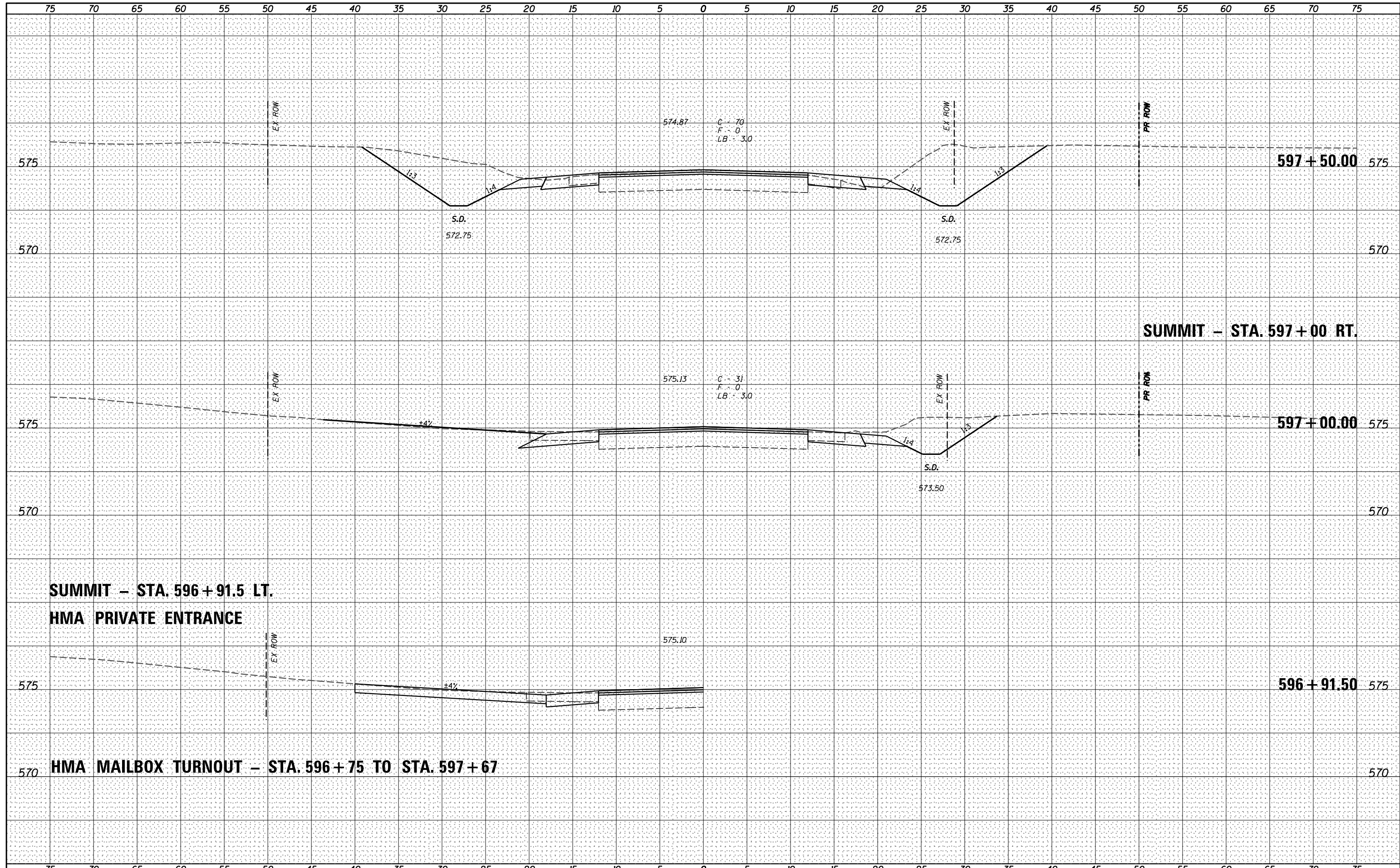
CROSS SECTIONS

SCALE: _____ SHEET NO. 303 OF 319 SHEETS STA. 596+00.00 TO STA. 596+50.00

F.A.P. RTE.	SECTION	COUNTY	TOTAL SHEETS	SHEET NO.
67	W(RS-6), (106)RS-4, BP	SANGAMON	486	461
CONTRACT NO. 72B37			ILLINOIS FED. AID PROJECT	

DATE _____
 BY _____
 SURVEYED _____
 PLOTTED _____
 TEMPLATE _____
 NOTE BOOK _____
 AREAS CHECKED _____
 NO. _____

DATE _____
 BY _____
 SURVEYED _____
 PLOTTED _____
 TEMPLATE _____
 NOTE BOOK _____
 AREAS CHECKED _____
 NO. _____



V&K
 Veenstra & Kimm, Inc.
 Springfield, IL Phone: (217)544-8033

USER NAME : *USERS*	DESIGNED - _____	REVISED - _____
	DRAWN - _____	REVISED - _____
PLOT SCALE : *SCALE*	CHECKED - _____	REVISED - _____
PLOT DATE : *DATE*	DATE - _____	REVISED - _____

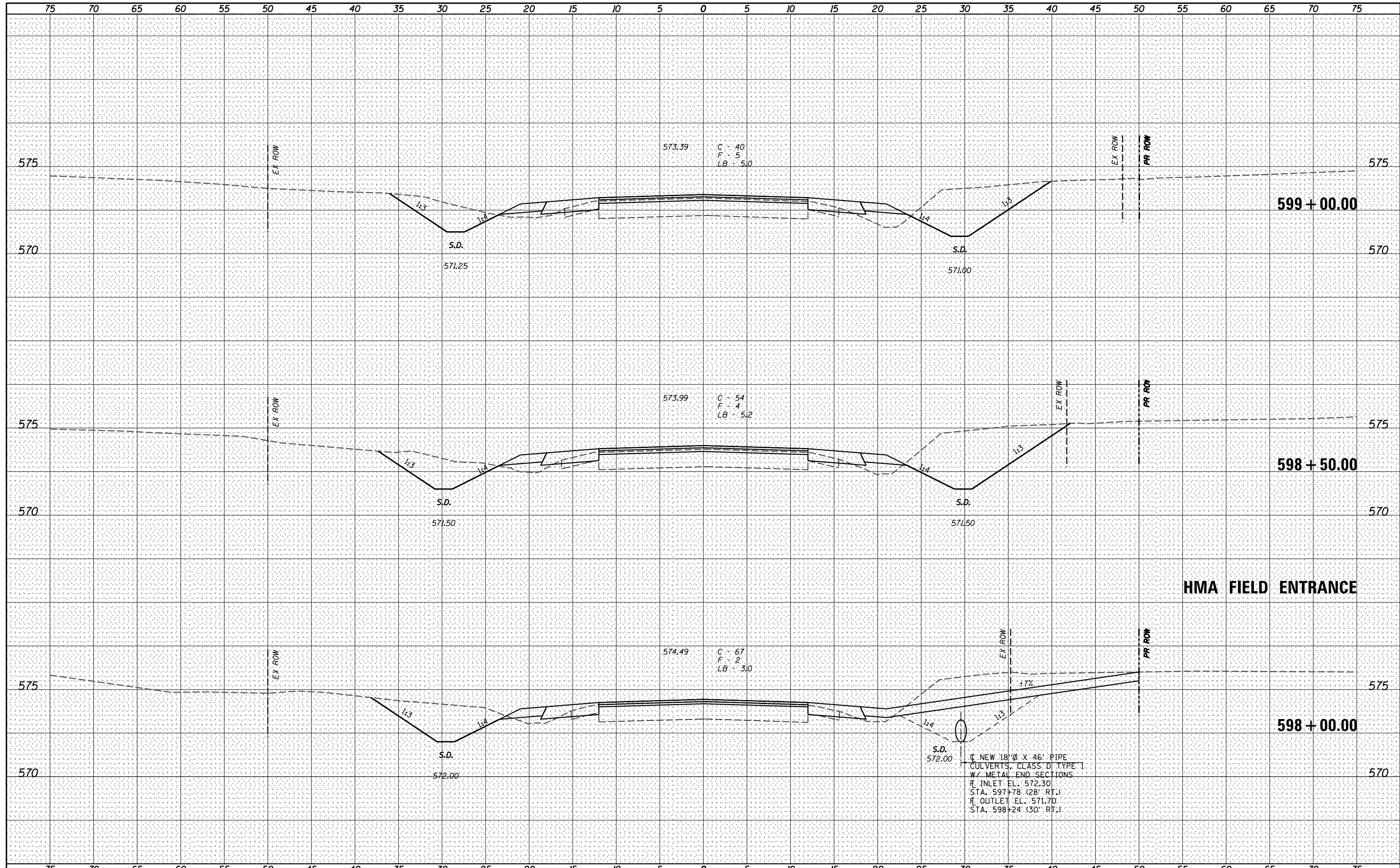
STATE OF ILLINOIS
DEPARTMENT OF TRANSPORTATION

CROSS SECTIONS
 SCALE: _____ SHEET NO. 304 OF 319 SHEETS STA. 596+91.53 TO STA. 597+50.00

F.A.P. RTE.	SECTION	COUNTY	TOTAL SHEETS	SHEET NO.
67	W(RS-6), (106)RS-4, BP	SANGAMON	486	462
CONTRACT NO. 72B37			ILLINOIS FED. AID PROJECT	

DATE _____
 BY _____
 SURVEYED _____
 PLOTTED _____
 TEMPLATE _____
 NOTE BOOK _____
 AREAS CHECKED _____
 NO. _____

DATE _____
 BY _____
 SURVEYED _____
 PLOTTED _____
 TEMPLATE _____
 NOTE BOOK _____
 AREAS CHECKED _____
 NO. _____



V&K
 Veenstra & Kimm, Inc.
 Springfield, IL Phone: (217)544-8033

USER NAME = *USER*	DESIGNED - _____	REVISED - _____
PLOT SCALE = *SCALE*	DRAWN - _____	REVISED - _____
PLOT DATE = *DATE*	CHECKED - _____	REVISED - _____
	DATE - _____	REVISED - _____

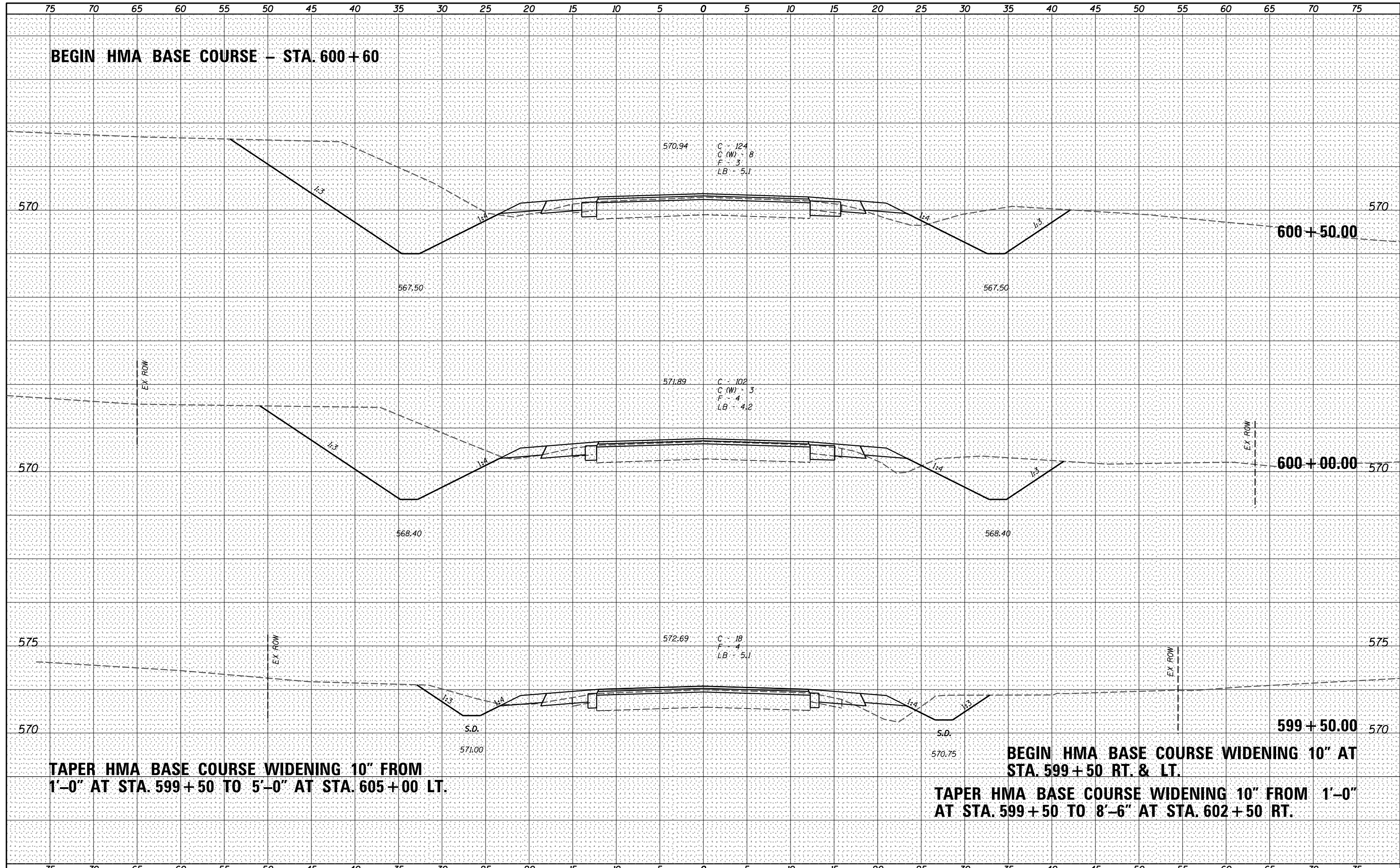
**STATE OF ILLINOIS
 DEPARTMENT OF TRANSPORTATION**

CROSS SECTIONS
 SCALE: _____ SHEET NO. 305 OF 319 SHEETS STA. 598+00.00 TO STA. 599+00.00

F.A.P. RTE.	SECTION	COUNTY	TOTAL SHEETS	SHEET NO.
67	W(RS-6), (106)RS-4, BP	SANGAMON	486	463
			CONTRACT NO. 72B37	
ILLINOIS FED. AID PROJECT				

DATE	
BY	
SURVEYED	
PLOTTED	
TEMPLATE	
AREAS CHECKED	
FINAL SURVEY NOTE BOOK NO.	

DATE	
BY	
SURVEYED	
PLOTTED	
TEMPLATE	
AREAS CHECKED	
ORIGINAL SURVEY NOTE BOOK NO.	



TAPER HMA BASE COURSE WIDENING 10" FROM 1'-0" AT STA. 599+50 TO 5'-0" AT STA. 605+00 LT.

BEGIN HMA BASE COURSE WIDENING 10" AT STA. 599+50 RT. & LT.
TAPER HMA BASE COURSE WIDENING 10" FROM 1'-0" AT STA. 599+50 TO 8'-6" AT STA. 602+50 RT.



USER NAME = *USER*	DESIGNED - _____	REVISED - _____
PLOT SCALE = *SCALE*	DRAWN - _____	REVISED - _____
PLOT DATE = *DATE*	CHECKED - _____	REVISED - _____
	DATE - _____	REVISED - _____

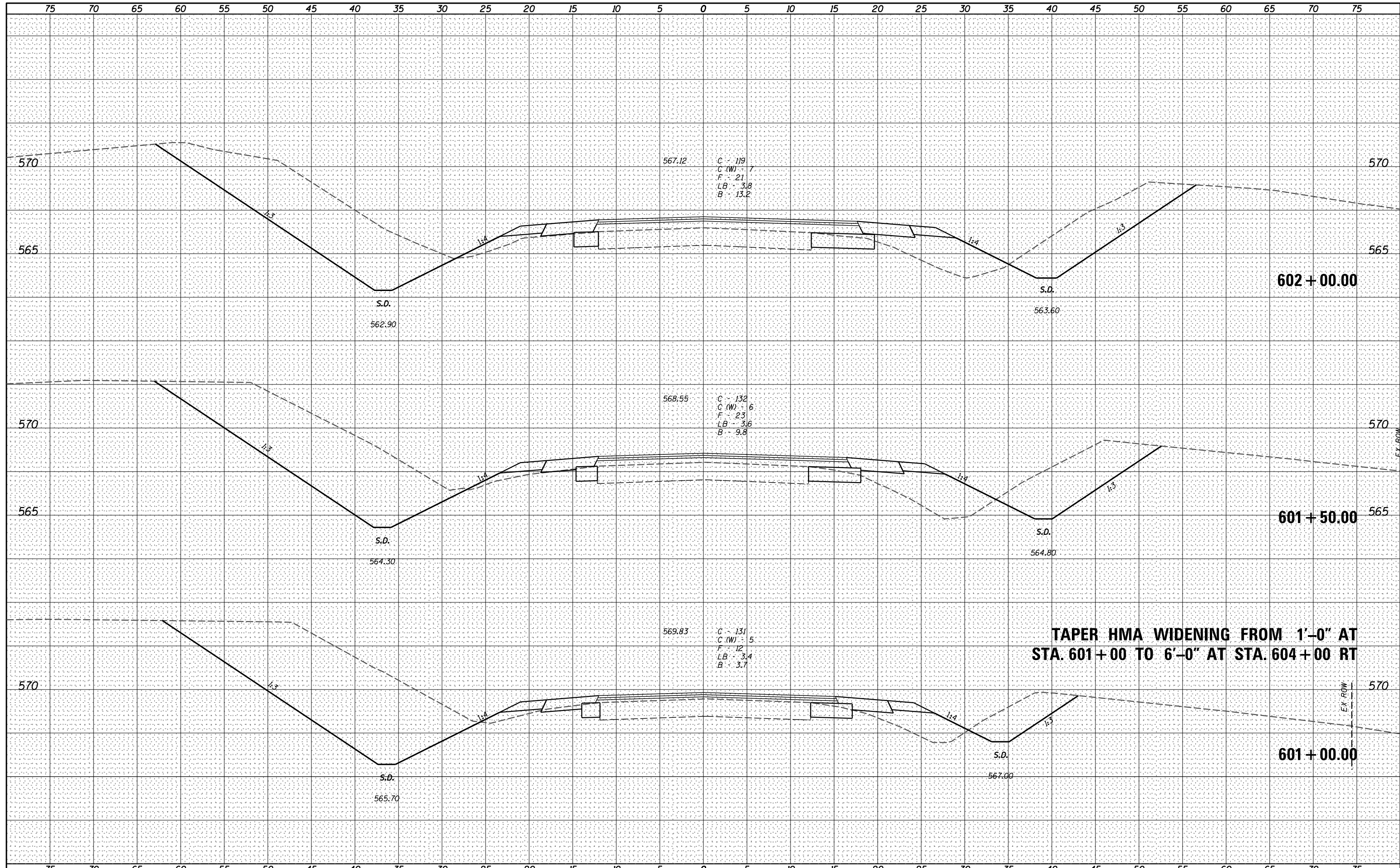
**STATE OF ILLINOIS
DEPARTMENT OF TRANSPORTATION**

CROSS SECTIONS
 SCALE: _____ SHEET NO. 306 OF 319 SHEETS STA. 599+50.00 TO STA. 600+50.00

F.A.P. RTE.	SECTION	COUNTY	TOTAL SHEETS	SHEET NO.
67	W(RS-6), (106)RS-4, BP	SANGAMON	486	464
CONTRACT NO. 72B37				
ILLINOIS FED. AID PROJECT				

DATE	
BY	
FINAL SURVEY	
SURVEYED	
PLOTTED	
TEMPLATE	
NOTE BOOK	
AREAS	
CHECKED	
NO.	

DATE	
BY	
ORIGINAL SURVEY	
SURVEYED	
PLOTTED	
TEMPLATE	
NOTE BOOK	
AREAS	
CHECKED	
NO.	



V&K
Veenstra & Kimm, Inc.
 Springfield, IL Phone: (217)544-8033

USER NAME = *USER*	DESIGNED - _____	REVISED - _____
	DRAWN - _____	REVISED - _____
PLOT SCALE = *SCALE*	CHECKED - _____	REVISED - _____
PLOT DATE = *DATE*	DATE - _____	REVISED - _____

**STATE OF ILLINOIS
 DEPARTMENT OF TRANSPORTATION**

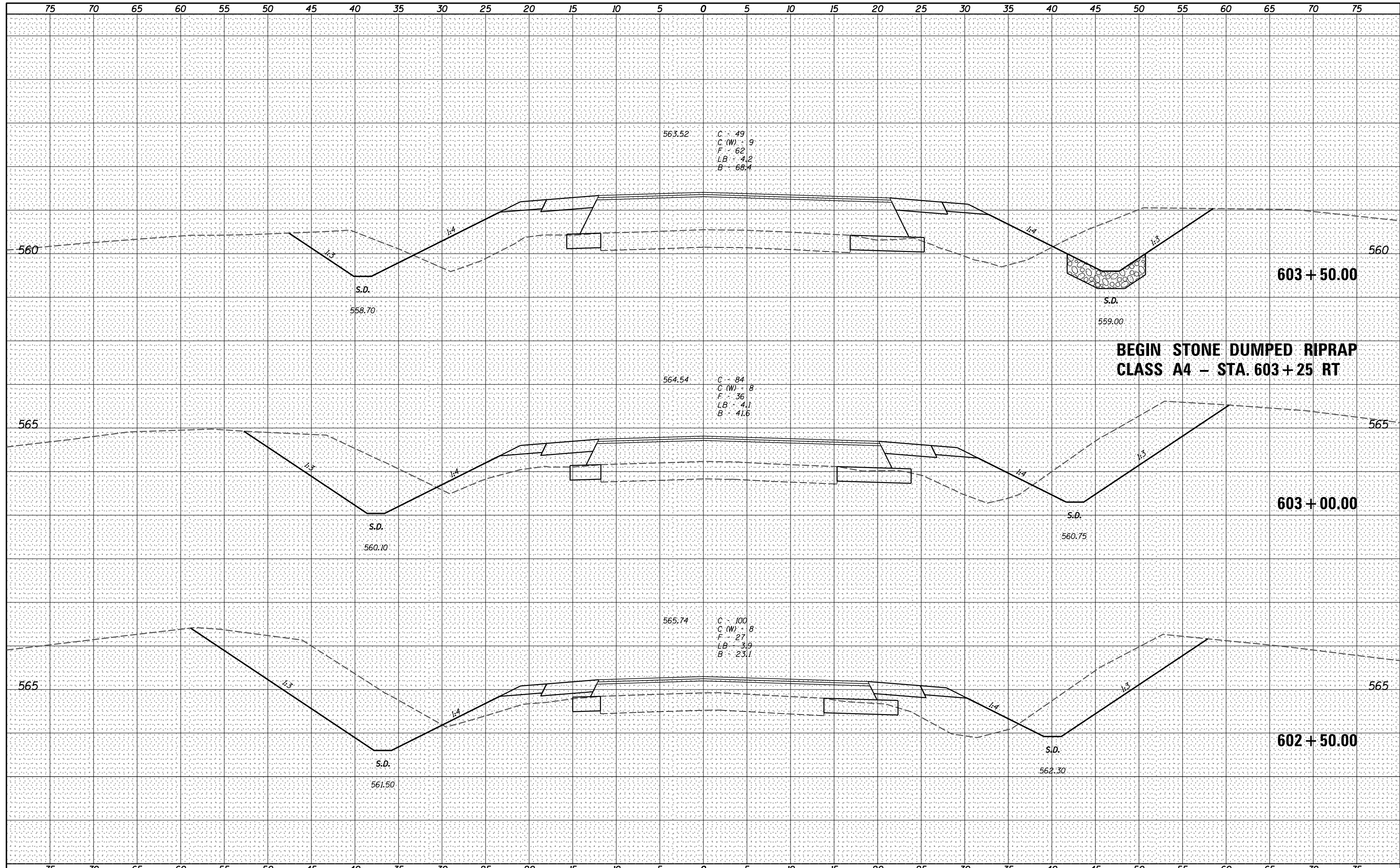
CROSS SECTIONS

SCALE: _____ SHEET NO. 307 OF 319 SHEETS STA. 601+00.00 TO STA. 602+00.00

F.A.P. RTE.	SECTION	COUNTY	TOTAL SHEETS	SHEET NO.
67	W(RS-6), (106)RS-4, BP	SANGAMON	486	465
CONTRACT NO. 72B37				
ILLINOIS FED. AID PROJECT				

DATE _____
 BY _____
 SURVEYED _____
 PLOTTED _____
 TEMPLATE _____
 NOTE BOOK _____
 AREAS CHECKED _____
 NO. _____

DATE _____
 BY _____
 SURVEYED _____
 PLOTTED _____
 TEMPLATE _____
 NOTE BOOK _____
 AREAS CHECKED _____
 NO. _____



BEGIN STONE DUMPED RIPRAP CLASS A4 - STA. 603+25 RT



USER NAME = *USER*	DESIGNED - _____	REVISED - _____
PLOT SCALE = *SCALE*	DRAWN - _____	REVISED - _____
PLOT DATE = *DATE*	CHECKED - _____	REVISED - _____
	DATE - _____	REVISED - _____

**STATE OF ILLINOIS
 DEPARTMENT OF TRANSPORTATION**

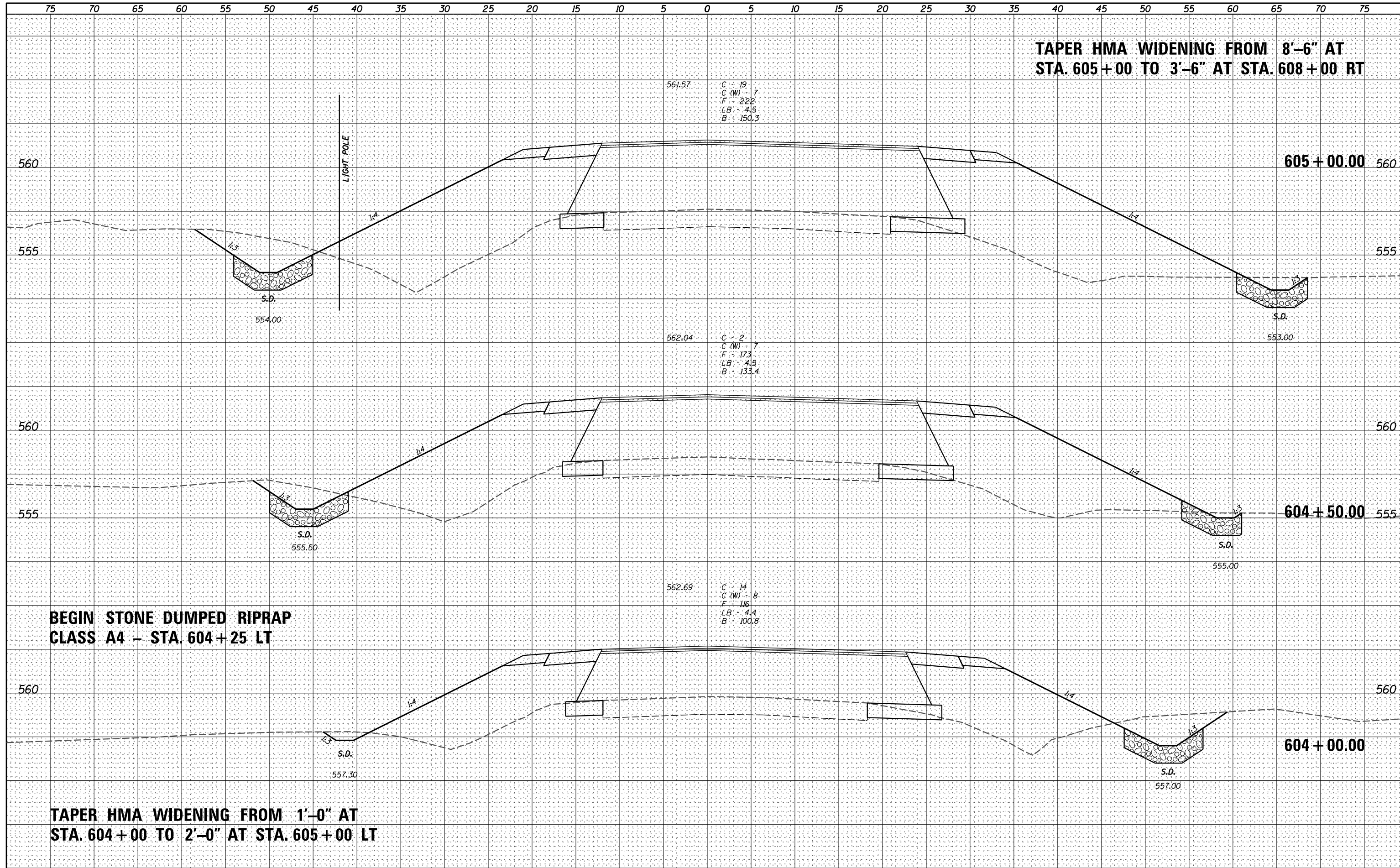
CROSS SECTIONS
 SCALE: _____ SHEET NO. 308 OF 319 SHEETS STA. 602+50.00 TO STA. 603+50.00

F.A.P. RTE.	SECTION	COUNTY	TOTAL SHEETS	SHEET NO.
67	W(RS-6), (106)RS-4, BP	SANGAMON	486	466
CONTRACT NO. 72B37			ILLINOIS FED. AID PROJECT	

TAPER HMA WIDENING FROM 8'-6" AT STA. 605+00 TO 3'-6" AT STA. 608+00 RT

DATE	
BY	
FINAL SURVEY	
PLOTTED	
TEMPLATE	
NOTE BOOK	
AREAS CHECKED	
NO.	

DATE	
BY	
ORIGINAL SURVEY	
PLOTTED	
TEMPLATE	
NOTE BOOK	
AREAS CHECKED	
NO.	



BEGIN STONE DUMPED RIPRAP CLASS A4 - STA. 604+25 LT

TAPER HMA WIDENING FROM 1'-0" AT STA. 604+00 TO 2'-0" AT STA. 605+00 LT



USER NAME = *USERS*	DESIGNED - _____	REVISED - _____
PLOT SCALE = *SCALE*	DRAWN - _____	REVISED - _____
PLOT DATE = *DATE*	CHECKED - _____	REVISED - _____
	DATE - _____	REVISED - _____

**STATE OF ILLINOIS
DEPARTMENT OF TRANSPORTATION**

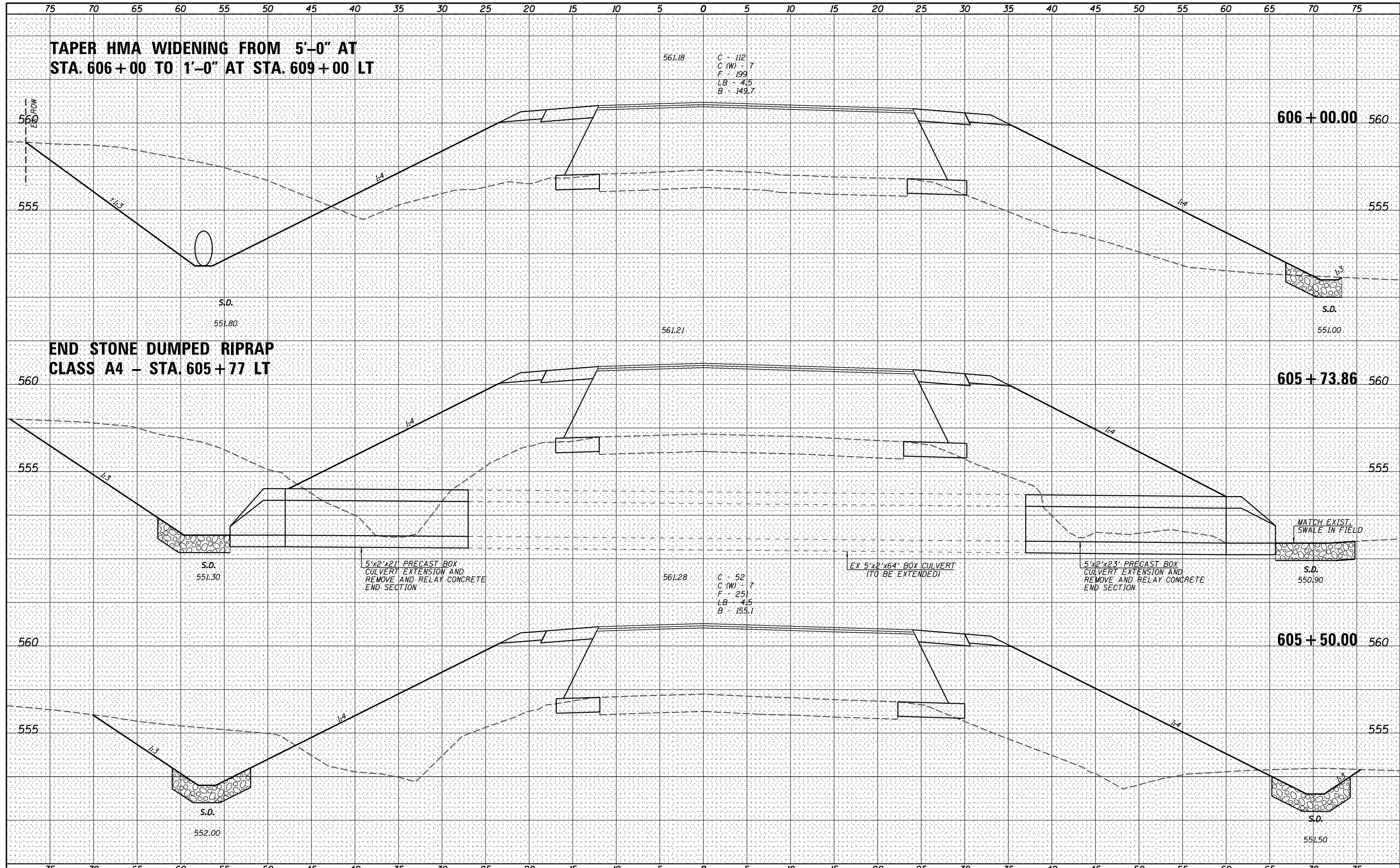
CROSS SECTIONS

SCALE: _____ SHEET NO. 309 OF 319 SHEETS STA. 604+00.00 TO STA. 605+00.00

F.A.P. RTE.	SECTION	COUNTY	TOTAL SHEETS	SHEET NO.
67	W(RS-6), (106)RS-4, BP	SANGAMON	486	467
CONTRACT NO. 72B37				
ILLINOIS FED. AID PROJECT				

DATE	
BY	
FINAL SURVEY	
SURVEYED	
PLOTTED	
TEMPLATE	
NOTE BOOK	
AREAS CHECKED	
NO.	

DATE	
BY	
ORIGINAL SURVEY	
SURVEYED	
PLOTTED	
TEMPLATE	
NOTE BOOK	
AREAS CHECKED	
NO.	



V&K
Veenstra & Kimm, Inc.
 Springfield, IL Phone: (217)544-8033

USER NAME = *USERS*	DESIGNED - _____	REVISED - _____
PLOT SCALE = *SCALE*	DRAWN - _____	REVISED - _____
PLOT DATE = *DATE*	CHECKED - _____	REVISED - _____
	DATE - _____	REVISED - _____

STATE OF ILLINOIS
DEPARTMENT OF TRANSPORTATION

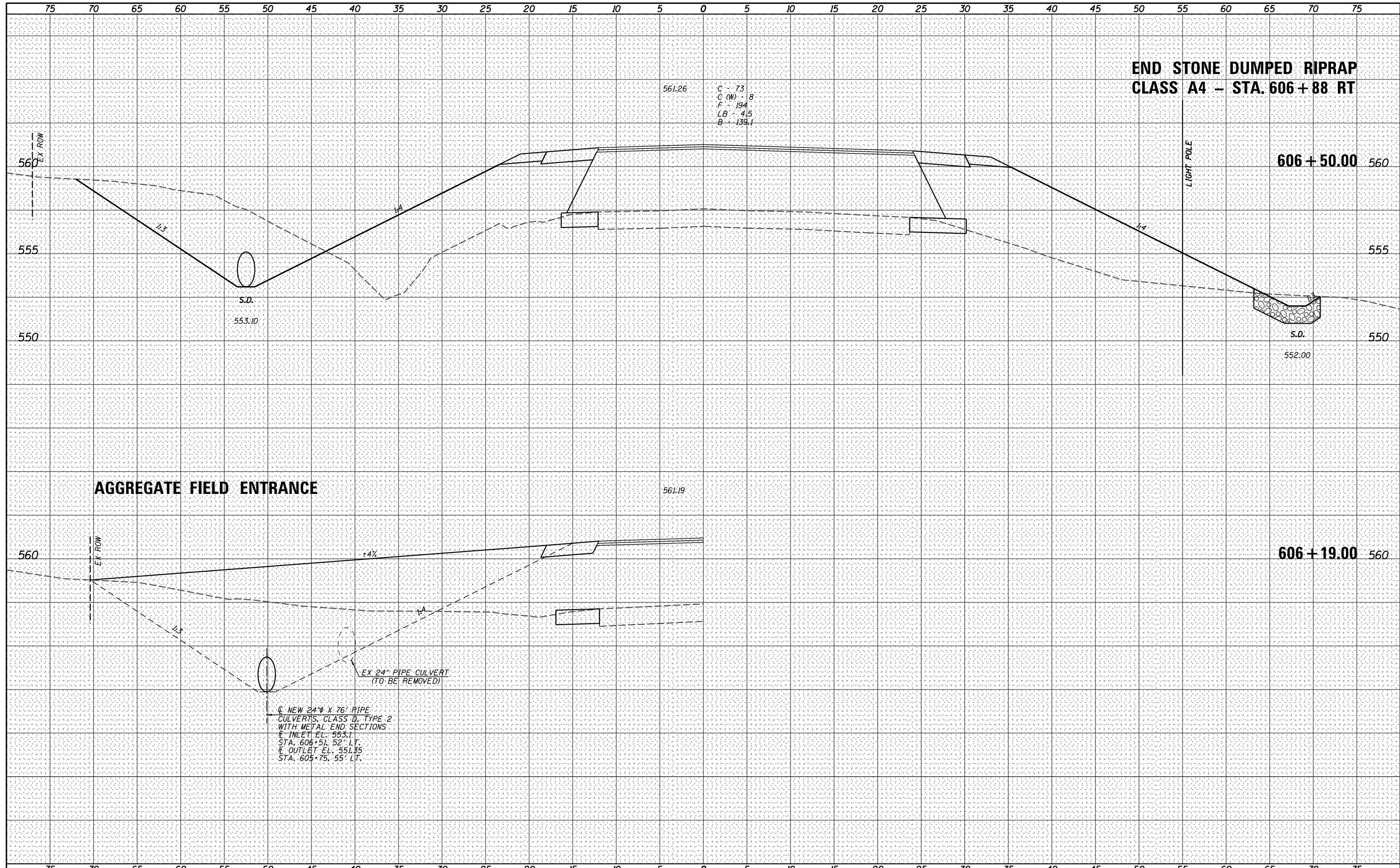
CROSS SECTIONS

SCALE: _____ SHEET NO. 310 OF 319 SHEETS STA. 605+50.00 TO STA. 605+73.86

F.A.P. RTE.	SECTION	COUNTY	TOTAL SHEETS	SHEET NO.
67	W(RS-6), (106)RS-4, BP	SANGAMON	486	468
CONTRACT NO. 72B37				
ILLINOIS FED. AID PROJECT				

DATE	
BY	
FINAL SURVEY	
SURVEYED	
PLOTTED	
TEMPLATE	
NOTE BOOK	
AREAS CHECKED	
NO.	

DATE	
BY	
ORIGINAL SURVEY	
SURVEYED	
PLOTTED	
TEMPLATE	
NOTE BOOK	
AREAS CHECKED	
NO.	



V&K
Veenstra & Kimm, Inc.
 Springfield, IL Phone: (217)544-8033

USER NAME = *USER*	DESIGNED - _____	REVISED - _____
PLOT SCALE = *SCALE*	DRAWN - _____	REVISED - _____
PLOT DATE = *DATE*	CHECKED - _____	REVISED - _____
	DATE - _____	REVISED - _____

STATE OF ILLINOIS
DEPARTMENT OF TRANSPORTATION

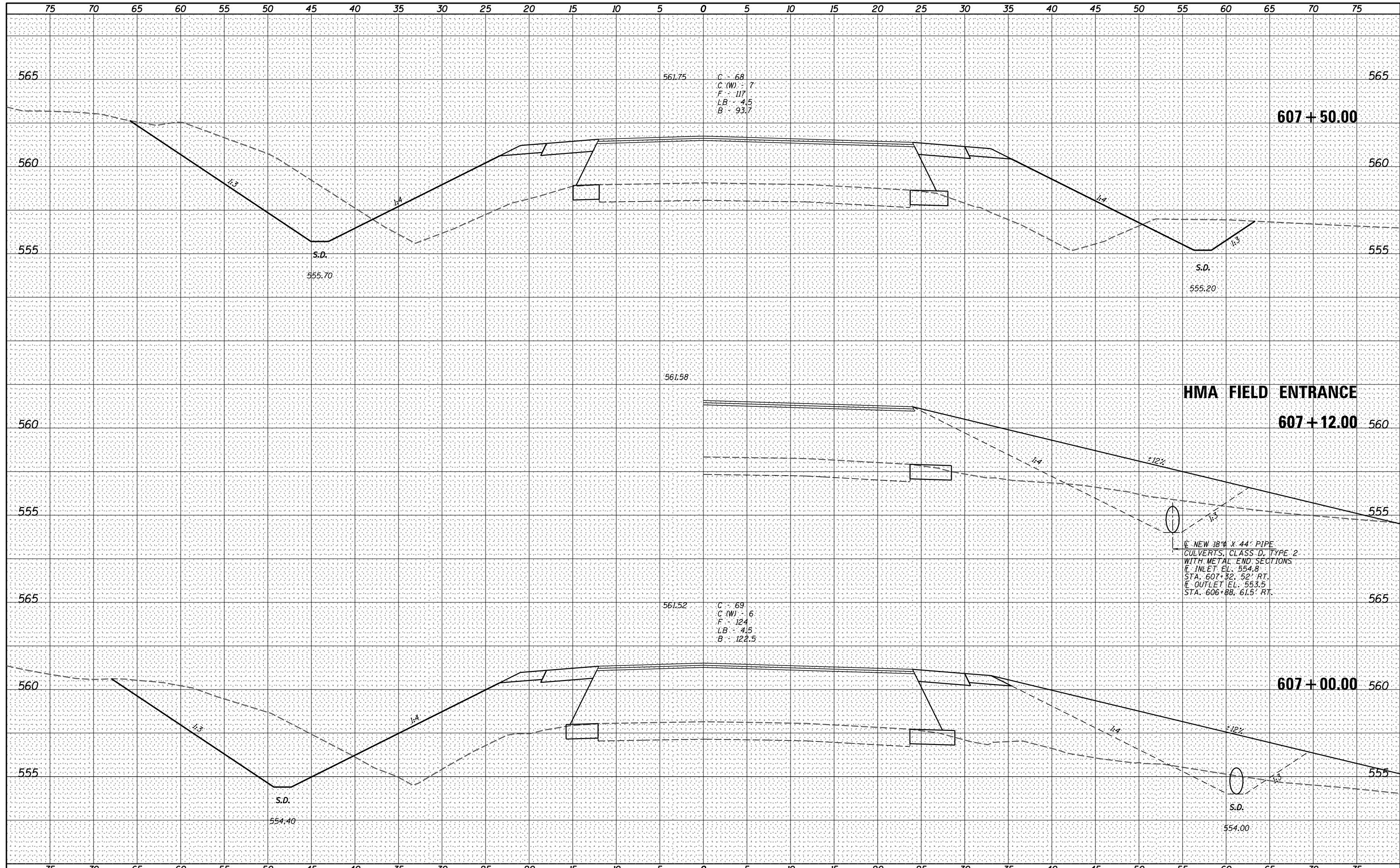
CROSS SECTIONS

SCALE: _____ SHEET NO. 311 OF 319 SHEETS STA. 606+00.00 TO STA. 606+19.00

F.A.P. RTE.	SECTION	COUNTY	TOTAL SHEETS	SHEET NO.
67	W(RS-6), (106)RS-4, BP	SANGAMON	486	469
CONTRACT NO. 72B37				
ILLINOIS FED. AID PROJECT				

DATE	
BY	
FINAL SURVEY NO.	
SURVEYED PLOTTED	
TEMPLATE AREAS CHECKED	
NOTE BOOK AREAS CHECKED	

DATE	
BY	
ORIGINAL SURVEY NO.	
SURVEYED PLOTTED	
TEMPLATE AREAS CHECKED	
NOTE BOOK AREAS CHECKED	



USER NAME : *USER*	DESIGNED - _____	REVISED - _____
PLOT SCALE : *SCALE*	DRAWN - _____	REVISED - _____
PLOT DATE : *DATE*	CHECKED - _____	REVISED - _____
	DATE - _____	REVISED - _____

**STATE OF ILLINOIS
DEPARTMENT OF TRANSPORTATION**

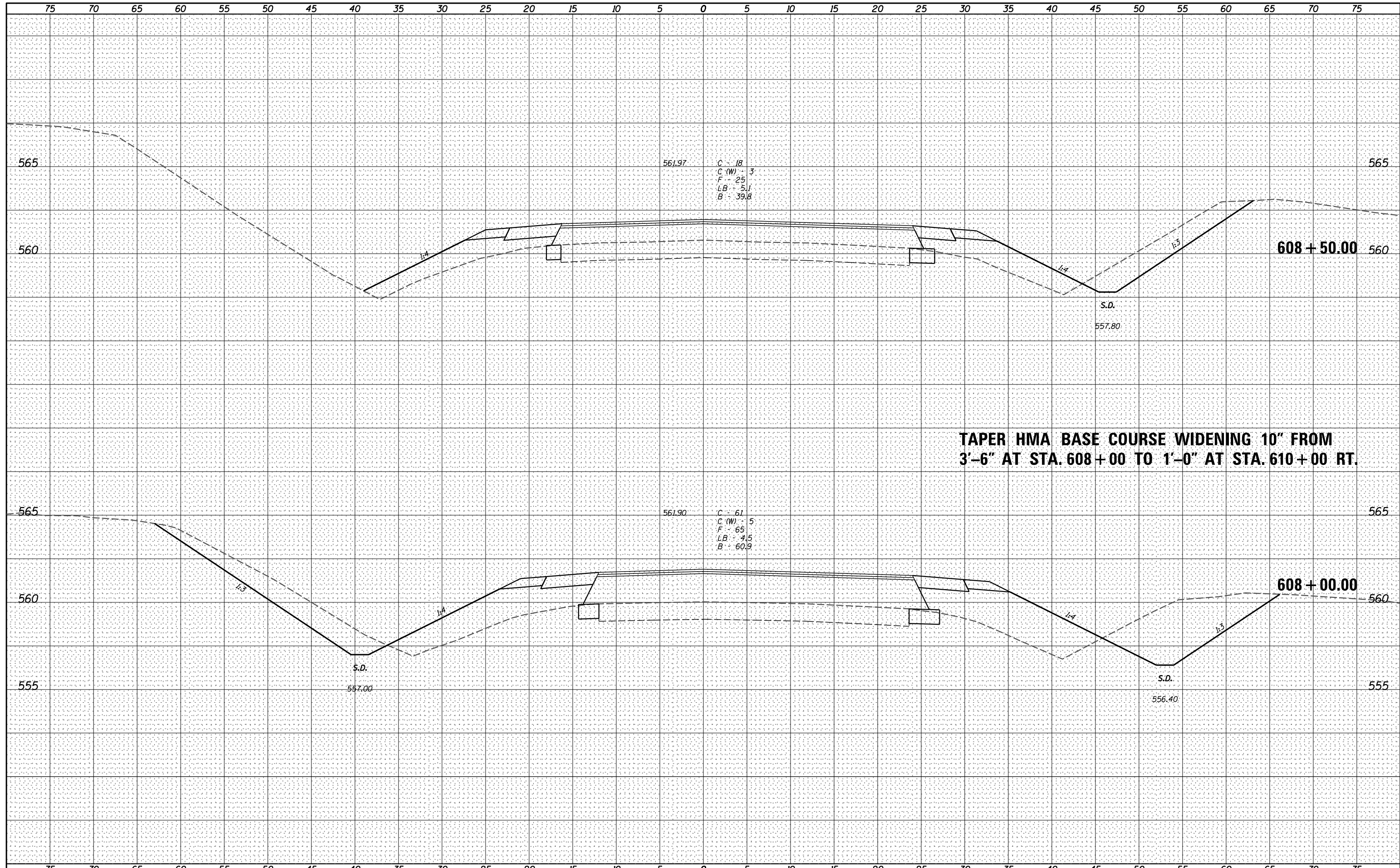
CROSS SECTIONS

SCALE: _____ SHEET NO. 312 OF 319 SHEETS STA. 606+50.00 TO STA. 607+00.00

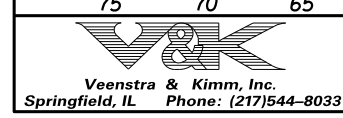
F.A.P. RTE.	SECTION	COUNTY	TOTAL SHEETS	SHEET NO.
67	W(RS-6), (106)RS-4, BP	SANGAMON	486	470
CONTRACT NO. 72B37			ILLINOIS FED. AID PROJECT	

DATE _____
 BY _____
 SURVEYED _____
 PLOTTED _____
 TEMPLATE _____
 AREAS CHECKED _____
 ORIGINAL SURVEY NOTE BOOK NO. _____

DATE _____
 BY _____
 SURVEYED _____
 PLOTTED _____
 TEMPLATE _____
 AREAS CHECKED _____
 ORIGINAL SURVEY NOTE BOOK NO. _____



**TAPER HMA BASE COURSE WIDENING 10" FROM
 3'-6" AT STA. 608+00 TO 1'-0" AT STA. 610+00 RT.**



USER NAME = *USER*	DESIGNED - _____	REVISED - _____
PLOT SCALE = *SCALE*	DRAWN - _____	REVISED - _____
PLOT DATE = *DATE*	CHECKED - _____	REVISED - _____
	DATE - _____	REVISED - _____

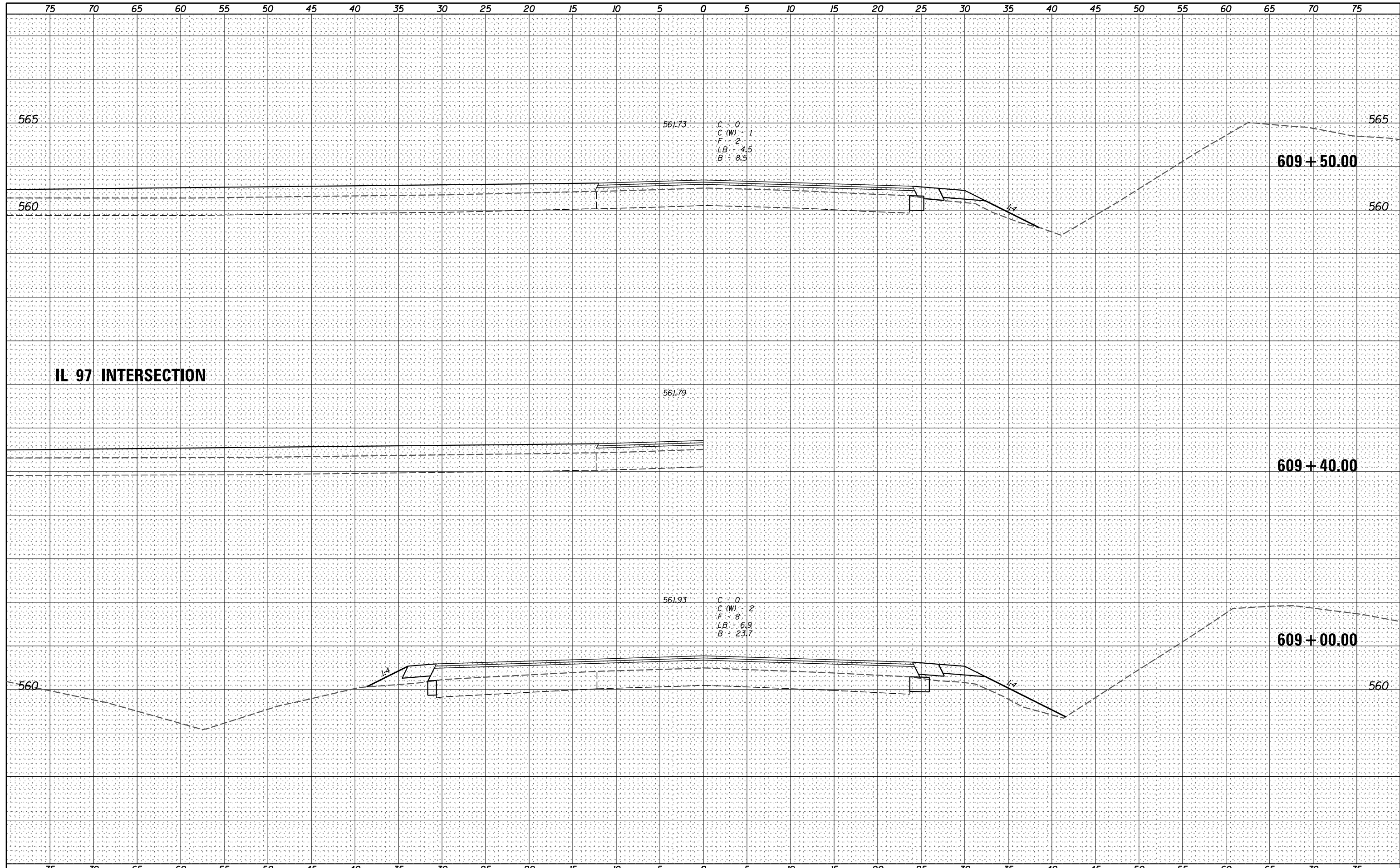
**STATE OF ILLINOIS
 DEPARTMENT OF TRANSPORTATION**

CROSS SECTIONS
 SCALE: _____ SHEET NO. 313 OF 319 SHEETS STA. 608+00.00 TO STA. 608+50.00

F.A.P. RTE.	SECTION	COUNTY	TOTAL SHEETS	SHEET NO.
67	W(RS-6), (106)RS-4, BP	SANGAMON	486	471
CONTRACT NO. 72B37			ILLINOIS FED. AID PROJECT	

DATE	
BY	
FINAL SURVEY	SURVEYED
NOTE BOOK	PLOTTED
NO.	TEMPLATE
	AREAS CHECKED

DATE	
BY	
ORIGINAL SURVEY	SURVEYED
NOTE BOOK	PLOTTED
NO.	TEMPLATE
	AREAS CHECKED



561.73
 C - 0
 C (W) - 1
 F - 2
 LB - 4.5
 B - 8.5

561.93
 C - 0
 C (W) - 2
 F - 8
 LB - 6.9
 B - 23.7

IL 97 INTERSECTION

609 + 50.00

609 + 40.00

609 + 00.00



USER NAME = *USER*	DESIGNED - _____	REVISED - _____
	DRAWN - _____	REVISED - _____
PLOT SCALE = *SCALE*	CHECKED - _____	REVISED - _____
PLOT DATE = *DATE*	DATE - _____	REVISED - _____

**STATE OF ILLINOIS
 DEPARTMENT OF TRANSPORTATION**

CROSS SECTIONS

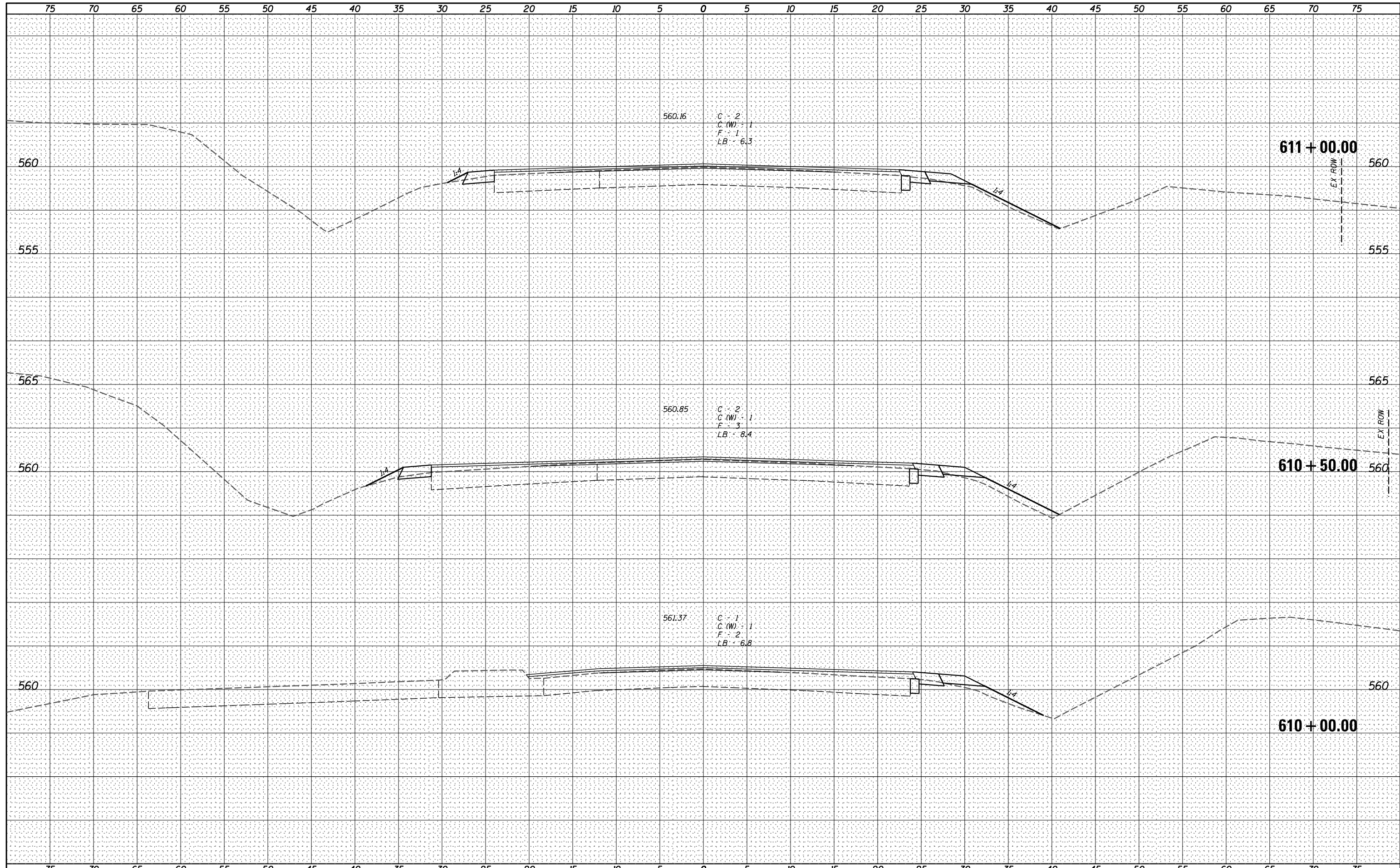
SCALE: _____ SHEET NO. 314 OF 319 SHEETS STA. 609+00.00 TO STA. 610+00.00

F.A.P. RTE.	SECTION	COUNTY	TOTAL SHEETS	SHEET NO.
67	W(RS-6), (106)RS-4, BP	SANGAMON	486	472
CONTRACT NO. 72B37				

ILLINOIS FED. AID PROJECT

DATE _____
 BY _____
 SURVEYED _____
 PLOTTED _____
 TEMPLATE _____
 NOTE BOOK _____
 AREAS CHECKED _____
 NO. _____

DATE _____
 BY _____
 SURVEYED _____
 PLOTTED _____
 TEMPLATE _____
 NOTE BOOK _____
 AREAS CHECKED _____
 NO. _____



V&K
 Veenstra & Kimm, Inc.
 Springfield, IL Phone: (217)544-8033

USER NAME = *USER*	DESIGNED - _____	REVISED - _____
	DRAWN - _____	REVISED - _____
PLOT SCALE = *SCALE*	CHECKED - _____	REVISED - _____
PLOT DATE = *DATE*	DATE - _____	REVISED - _____

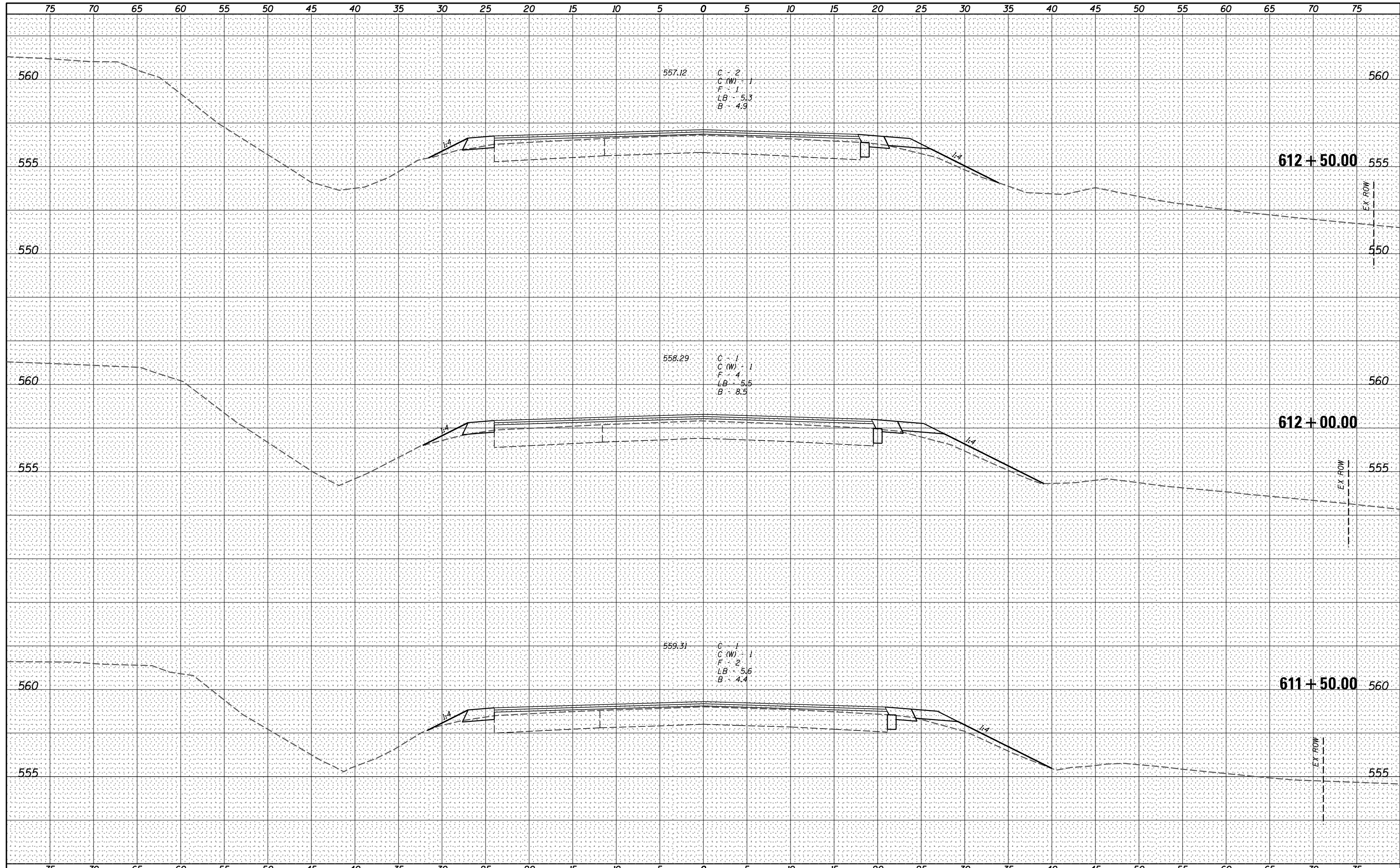
**STATE OF ILLINOIS
 DEPARTMENT OF TRANSPORTATION**

CROSS SECTIONS
 SCALE: _____ SHEET NO. 315 OF 319 SHEETS STA. 610+50.00 TO STA. 611+00.00

F.A.P. RTE.	SECTION	COUNTY	TOTAL SHEETS	SHEET NO.
67	W(RS-6), (106)RS-4, BP	SANGAMON	486	473
CONTRACT NO. 72B37			ILLINOIS FED. AID PROJECT	

DATE	
BY	
FINAL SURVEY	SURVEYED
NOTE BOOK	PLOTTED
NO.	TEMPLATE
	AREAS CHECKED
	AREAS CHECKED

DATE	
BY	
ORIGINAL SURVEY	SURVEYED
NOTE BOOK	PLOTTED
NO.	TEMPLATE
	AREAS CHECKED
	AREAS CHECKED



V&K
Veenstra & Kimm, Inc.
 Springfield, IL Phone: (217)544-8033

USER NAME = *USER*	DESIGNED - _____	REVISED - _____
PLOT SCALE = *SCALE*	DRAWN - _____	REVISED - _____
PLOT DATE = *DATE*	CHECKED - _____	REVISED - _____
	DATE - _____	REVISED - _____

STATE OF ILLINOIS
DEPARTMENT OF TRANSPORTATION

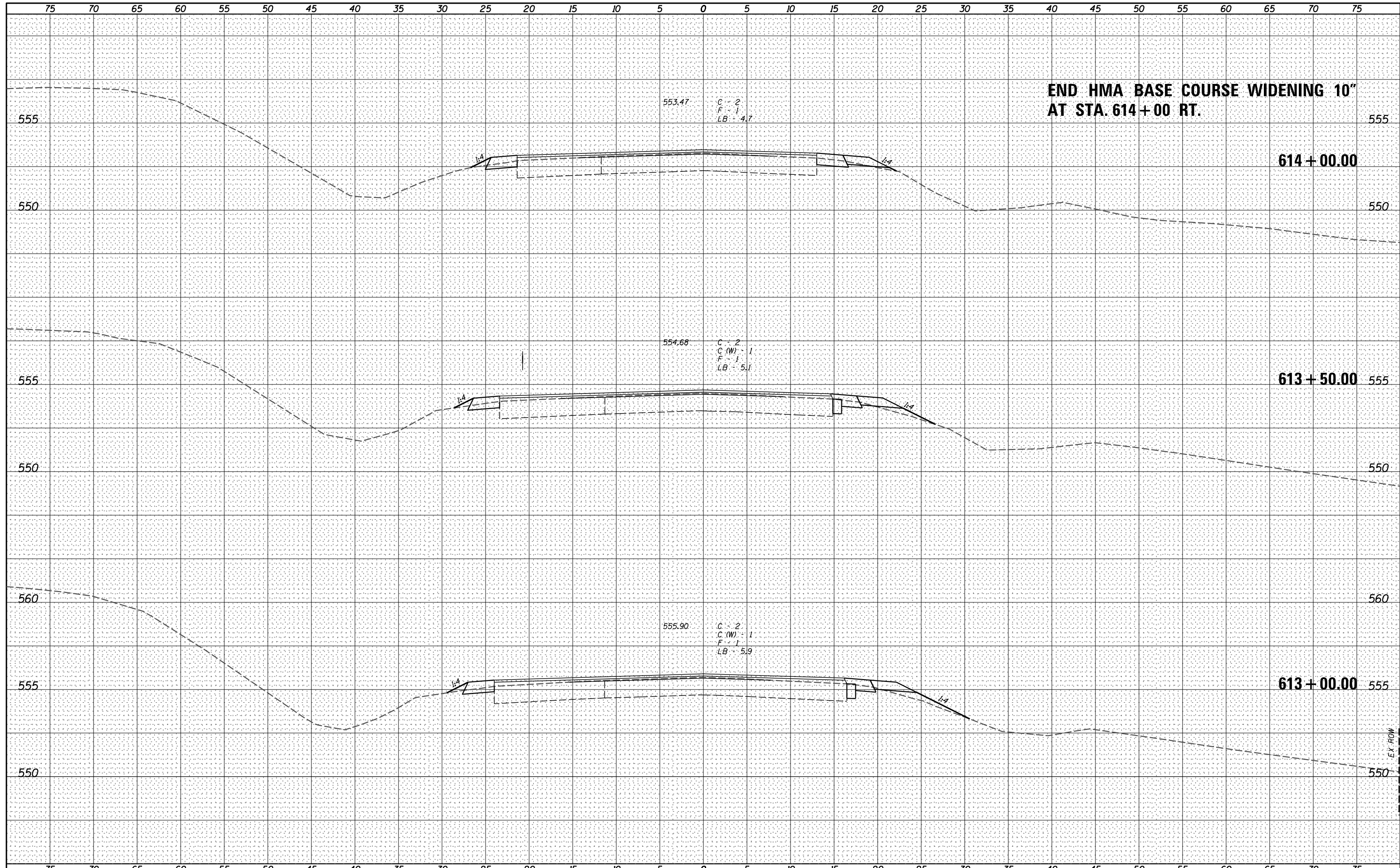
CROSS SECTIONS

SCALE: _____ SHEET NO. 316 OF 319 SHEETS STA. 611+50.00 TO STA. 612+00.00

F.A.P. RTE.	SECTION	COUNTY	TOTAL SHEETS	SHEET NO.
67	W(RS-6), (106)RS-4, BP	SANGAMON	486	474
CONTRACT NO. 72B37				
ILLINOIS FED. AID PROJECT				

DATE	
BY	
FINAL SURVEY	SURVEYED
NOTE BOOK	PLOTTED
NO.	TEMPLATE
	AREAS CHECKED
	AREAS CHECKED

DATE	
BY	
ORIGINAL SURVEY	SURVEYED
NOTE BOOK	PLOTTED
NO.	TEMPLATE
	AREAS CHECKED
	AREAS CHECKED



V&K
Veenstra & Kimm, Inc.
Springfield, IL Phone: (217)544-8033

USER NAME = *USER*	DESIGNED - _____	REVISED - _____
	DRAWN - _____	REVISED - _____
PLOT SCALE = *SCALE*	CHECKED - _____	REVISED - _____
PLOT DATE = *DATE*	DATE - _____	REVISED - _____

**STATE OF ILLINOIS
DEPARTMENT OF TRANSPORTATION**

CROSS SECTIONS

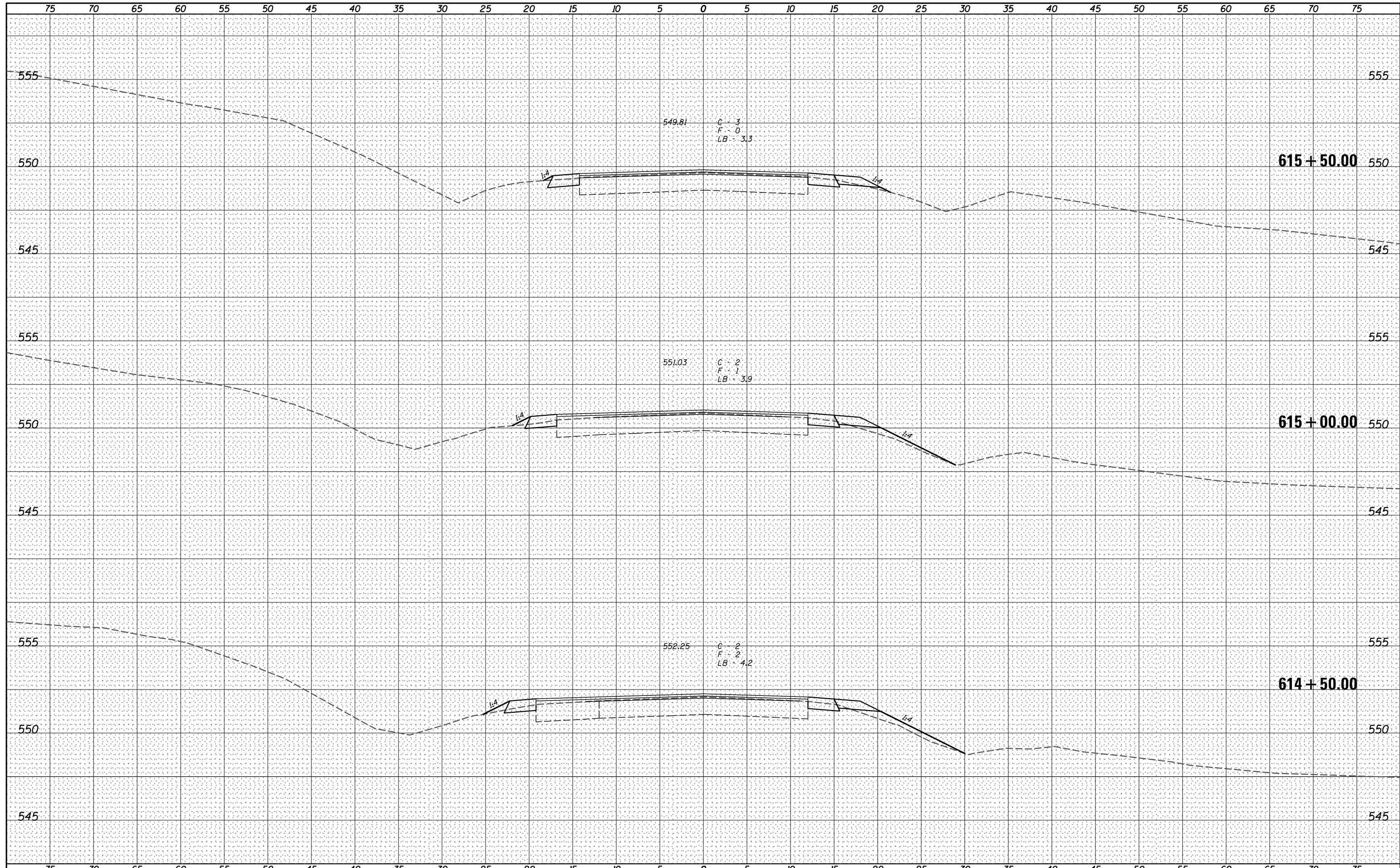
SCALE: _____ SHEET NO. 317 OF 319 SHEETS STA. 612+50.00 TO STA. 613+00.00

F.A.P. RTE.	SECTION	COUNTY	TOTAL SHEETS	SHEET NO.
67	W(RS-6), (106)RS-4, BP	SANGAMON	486	475
				CONTRACT NO. 72B37
ILLINOIS FED. AID PROJECT				

EX. ROW

DATE	
BY	
FINAL SURVEY NO.	
SURVEYED PLOTTED	
NOTE BOOK	
AREAS CHECKED	

DATE	
BY	
ORIGINAL SURVEY NO.	
SURVEYED PLOTTED	
NOTE BOOK	
AREAS CHECKED	



V&K
Veenstra & Kimm, Inc.
 Springfield, IL Phone: (217)544-8033

USER NAME = *USER*	DESIGNED - _____	REVISED - _____
	DRAWN - _____	REVISED - _____
PLOT SCALE = *SCALE*	CHECKED - _____	REVISED - _____
PLOT DATE = *DATE*	DATE - _____	REVISED - _____

STATE OF ILLINOIS
DEPARTMENT OF TRANSPORTATION

CROSS SECTIONS

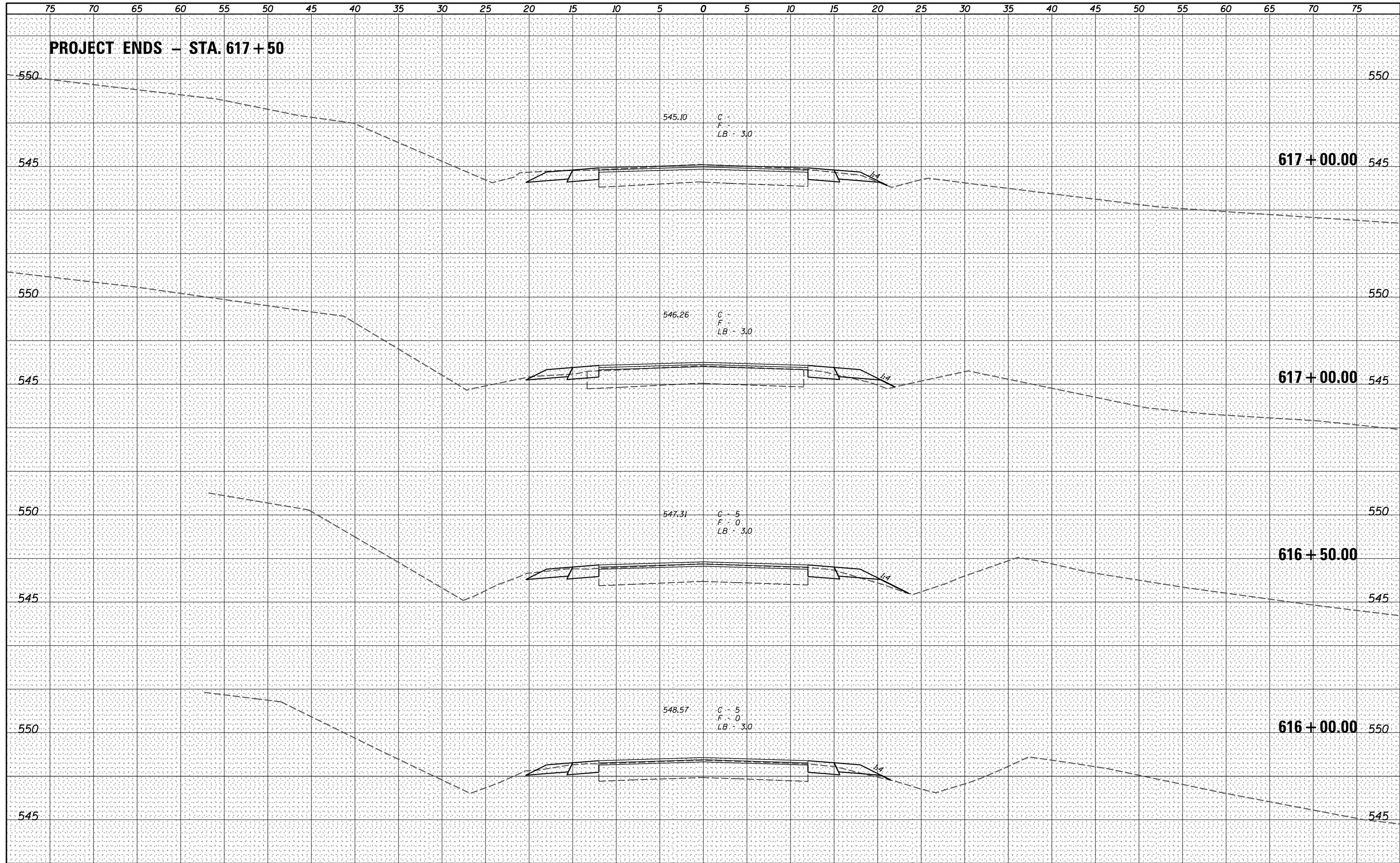
SCALE: _____ SHEET NO. 318 OF 319 SHEETS STA. 614+50.00 TO STA. 615+00.00

F.A.P. RTE.	SECTION	COUNTY	TOTAL SHEETS	SHEET NO.
67	W(RS-6), (106)RS-4, BP	SANGAMON	486	476
CONTRACT NO. 72B37			ILLINOIS FED. AID PROJECT	

PROJECT ENDS - STA. 617 + 50

DATE	
BY	
FINAL SURVEY	
SURVEYED	
NOTE BOOK	
NO.	
PLOTTED	
TEMPLATE	
AREAS CHECKED	

DATE	
BY	
ORIGINAL SURVEY	
SURVEYED	
NOTE BOOK	
NO.	
PLOTTED	
TEMPLATE	
AREAS CHECKED	



V&K
Veenstra & Kimm, Inc.
 Springfield, IL Phone: (217)544-8033

USER NAME = *USER*	DESIGNED - _____	REVISED - _____
	DRAWN - _____	REVISED - _____
PLOT SCALE = *SCALE*	CHECKED - _____	REVISED - _____
PLOT DATE = *DATE*	DATE - _____	REVISED - _____

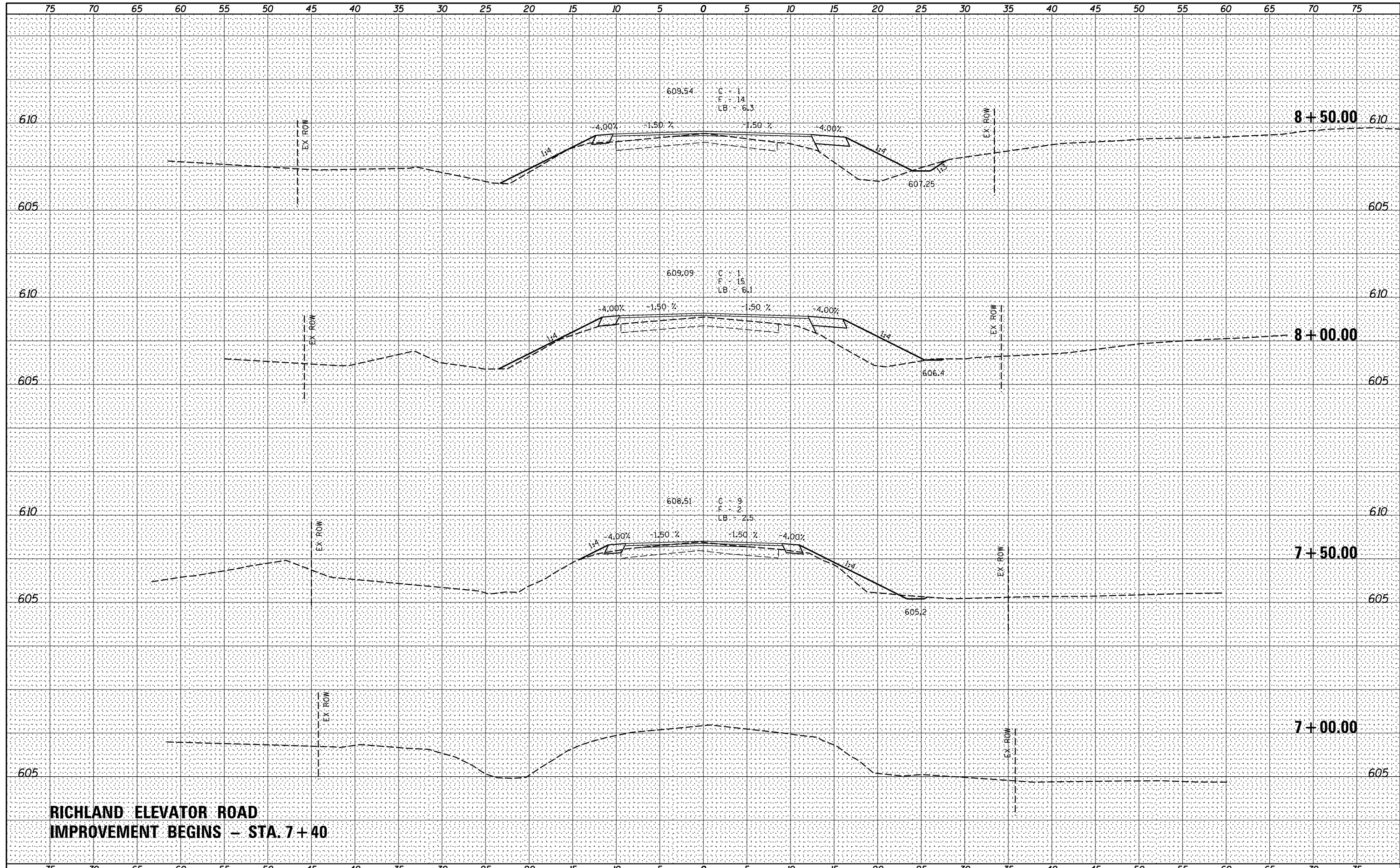
STATE OF ILLINOIS
DEPARTMENT OF TRANSPORTATION

CROSS SECTIONS
 SCALE: _____ SHEET NO. 319 OF 319 SHEETS STA. 615+50.00 TO STA. 616+00.00

F.A.P. RTE.	SECTION	COUNTY	TOTAL SHEETS	SHEET NO.
67	W(RS-6), (106)RS-4, BP	SANGAMON	486	477
CONTRACT NO. 72B37				
ILLINOIS FED. AID PROJECT				

DATE _____
 BY _____
 ORIGINAL SURVEY NO. _____
 SURVEYED PLOTTED TEMPLATE AREAS CHECKED
 FINAL SURVEY NO. _____
 SURVEYED PLOTTED TEMPLATE AREAS CHECKED

DATE _____
 BY _____
 ORIGINAL SURVEY NO. _____
 SURVEYED PLOTTED TEMPLATE AREAS CHECKED



**RICHLAND ELEVATOR ROAD
 IMPROVEMENT BEGINS - STA. 7+40**



USER NAME = *USER*	DESIGNED -	REVISED -
PLOT SCALE = *SCALE*	DRAWN -	REVISED -
PLOT DATE = *DATE*	CHECKED -	REVISED -
	DATE -	REVISED -

**STATE OF ILLINOIS
 DEPARTMENT OF TRANSPORTATION**

CROSS SECTIONS - RICHLAND ELEVATOR ROAD
 SCALE: _____ SHEET NO. _____ OF _____ SHEETS STA. 7+00.00 TO STA. 8+50.00

F.A.P. RTE.	SECTION	COUNTY	TOTAL SHEETS	SHEET NO.
67	W(RS-6), (106)RS-4, BP	SANGAMON	486	478
CONTRACT NO. 72B37				
ILLINOIS FED. AID PROJECT				

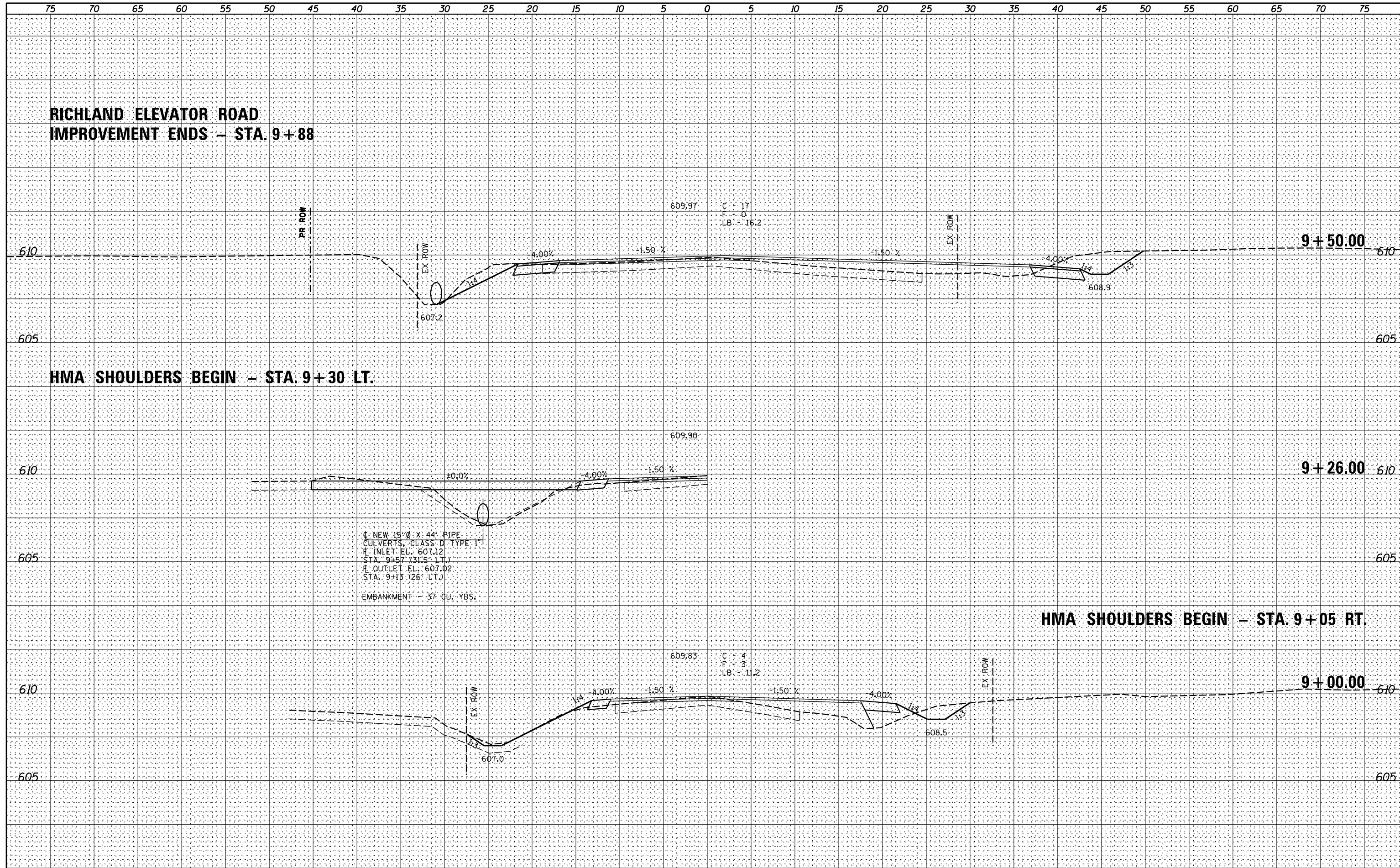
DATE	
BY	
FINAL SURVEY	
NOTED	
PLOTTED	
TEMPLATE	
AREAS	
CHECKED	
NO.	

DATE	
BY	
ORIGINAL SURVEY	
NOTED	
PLOTTED	
TEMPLATE	
AREAS	
CHECKED	
NO.	

**RICHLAND ELEVATOR ROAD
IMPROVEMENT ENDS - STA. 9+88**

HMA SHOULDERS BEGIN - STA. 9+30 LT.

HMA SHOULDERS BEGIN - STA. 9+05 RT.



USER NAME = *USER*	DESIGNED -	REVISED -
PLOT SCALE = *SCALE*	DRAWN -	REVISED -
PLOT DATE = *DATE*	CHECKED -	REVISED -
	DATE -	REVISED -

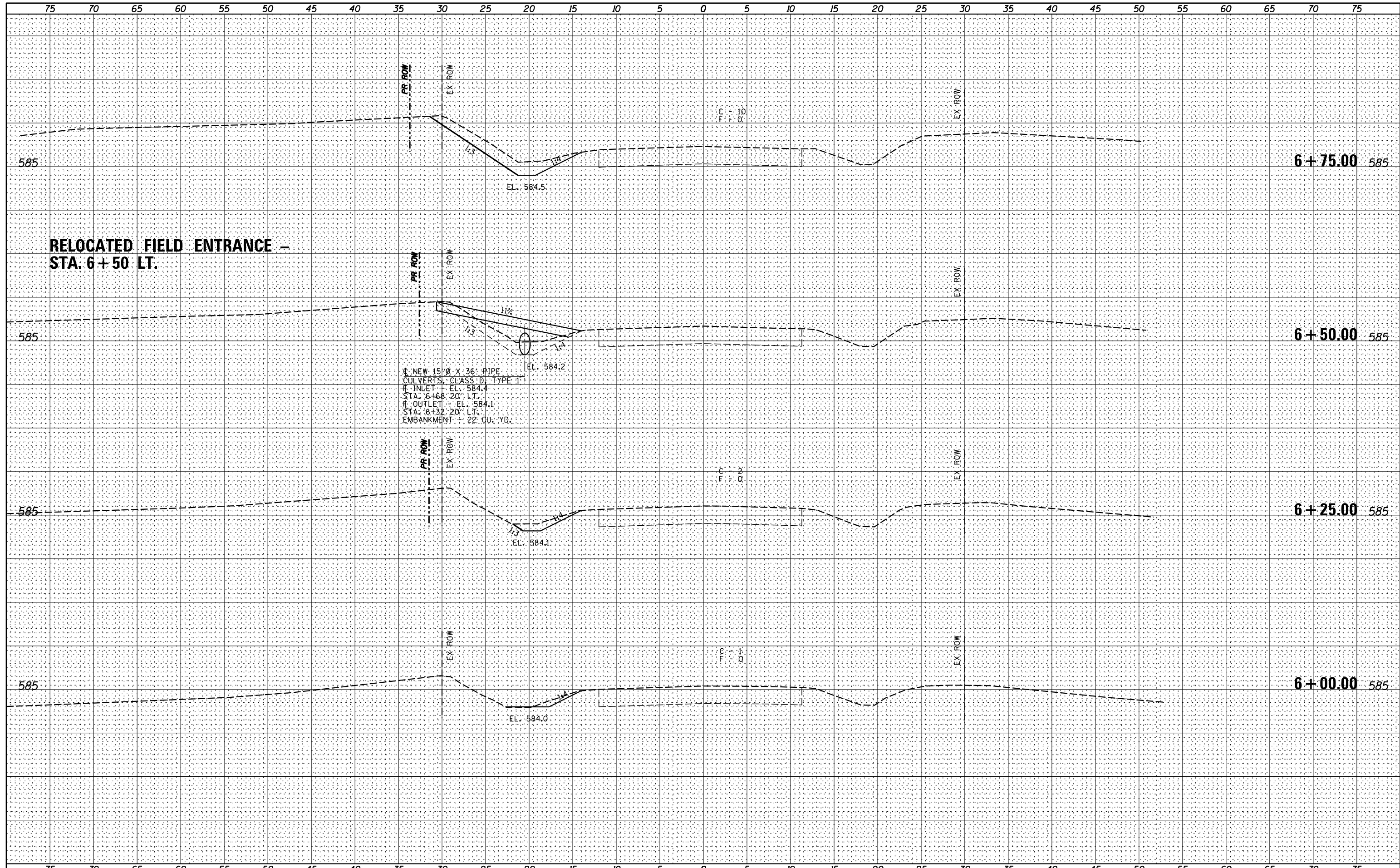
**STATE OF ILLINOIS
DEPARTMENT OF TRANSPORTATION**

CROSS SECTIONS - RICHLAND ELEVATOR ROAD
SCALE: SHEET NO. OF SHEETS STA. 9+00.00 TO STA. 9+50.00

F.A.P. RTE.	SECTION	COUNTY	TOTAL SHEETS	SHEET NO.
67	W(RS-6), (106)RS-4, BP	SANGAMON	486	479
CONTRACT NO. 72B37				
ILLINOIS FED. AID PROJECT				

DATE _____
 BY _____
 SURVEYED _____
 PLOTTED _____
 TEMPLATE _____
 NOTE BOOK _____
 AREAS CHECKED _____
 NO. _____

DATE _____
 BY _____
 SURVEYED _____
 PLOTTED _____
 TEMPLATE _____
 NOTE BOOK _____
 AREAS CHECKED _____
 NO. _____



USER NAME = *USER*	DESIGNED -	REVISED -
PLOT SCALE = *SCALE*	DRAWN -	REVISED -
PLOT DATE = *DATE*	CHECKED -	REVISED -
	DATE -	REVISED -

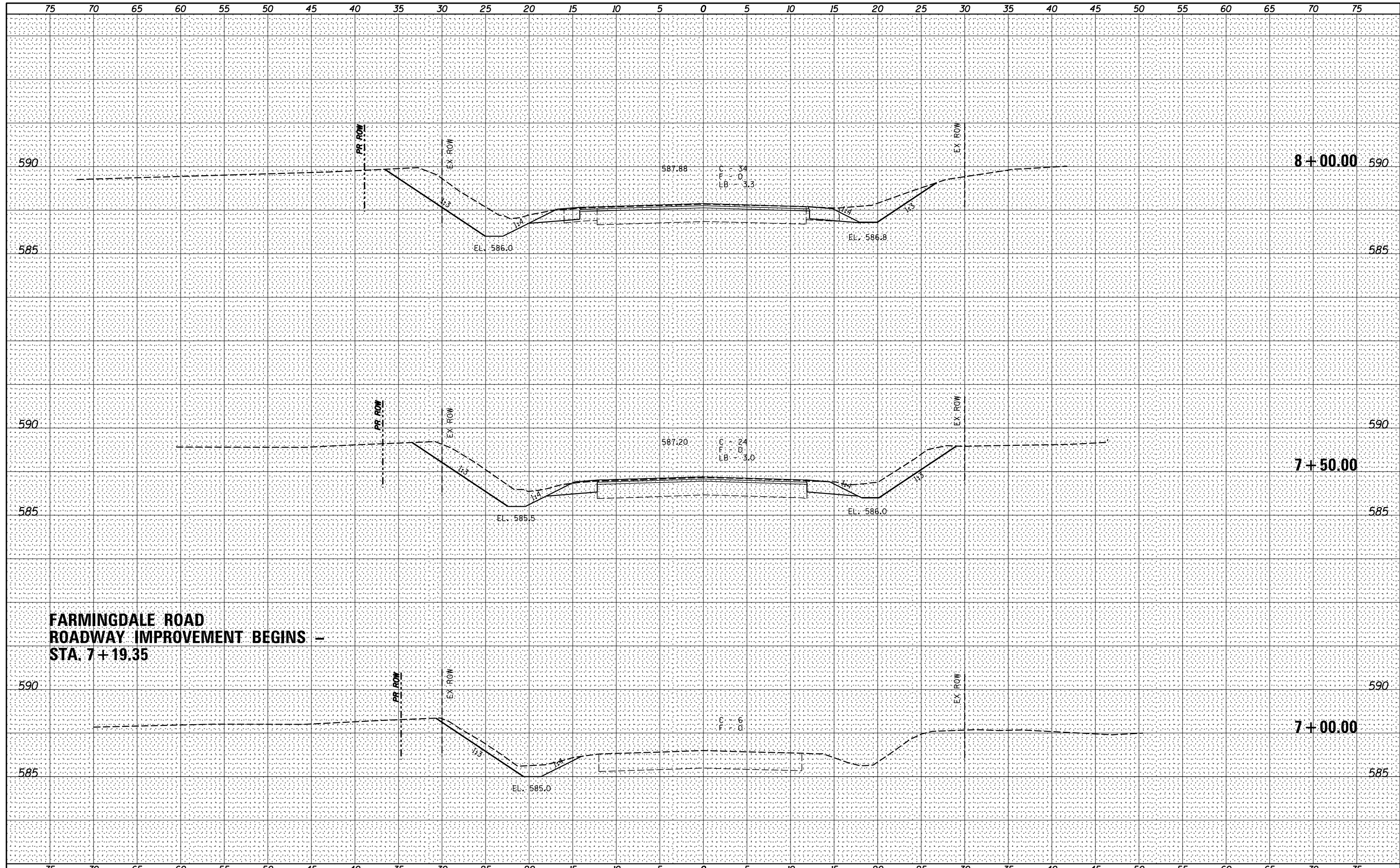
STATE OF ILLINOIS
 DEPARTMENT OF TRANSPORTATION

CROSS SECTIONS
 FARMINGDALE ROAD
 SCALE: SHEET NO. OF 3 SHEETS STA. 6+00.00 TO STA. 6+75.00

F.A.P. RTE.	SECTION	COUNTY	TOTAL SHEETS	SHEET NO.
67	W(RS-6), (106)RS-4, BP	SANGAMON	486	480
CONTRACT NO. 72B37				
ILLINOIS FED. AID PROJECT				

DATE _____
 BY _____
 SURVEYED _____
 PLOTTED _____
 TEMPLATE _____
 NOTE BOOK _____
 AREAS CHECKED _____
 NO. _____

DATE _____
 BY _____
 SURVEYED _____
 PLOTTED _____
 TEMPLATE _____
 NOTE BOOK _____
 AREAS CHECKED _____
 NO. _____



W&K
 Veenstra & Kimm, Inc.
 Springfield, IL Phone: (217)544-8033

USER NAME = *USER*	DESIGNED -	REVISED -
PLOT SCALE = *SCALE*	DRAWN -	REVISED -
PLOT DATE = *DATE*	CHECKED -	REVISED -
	DATE -	REVISED -

**STATE OF ILLINOIS
 DEPARTMENT OF TRANSPORTATION**

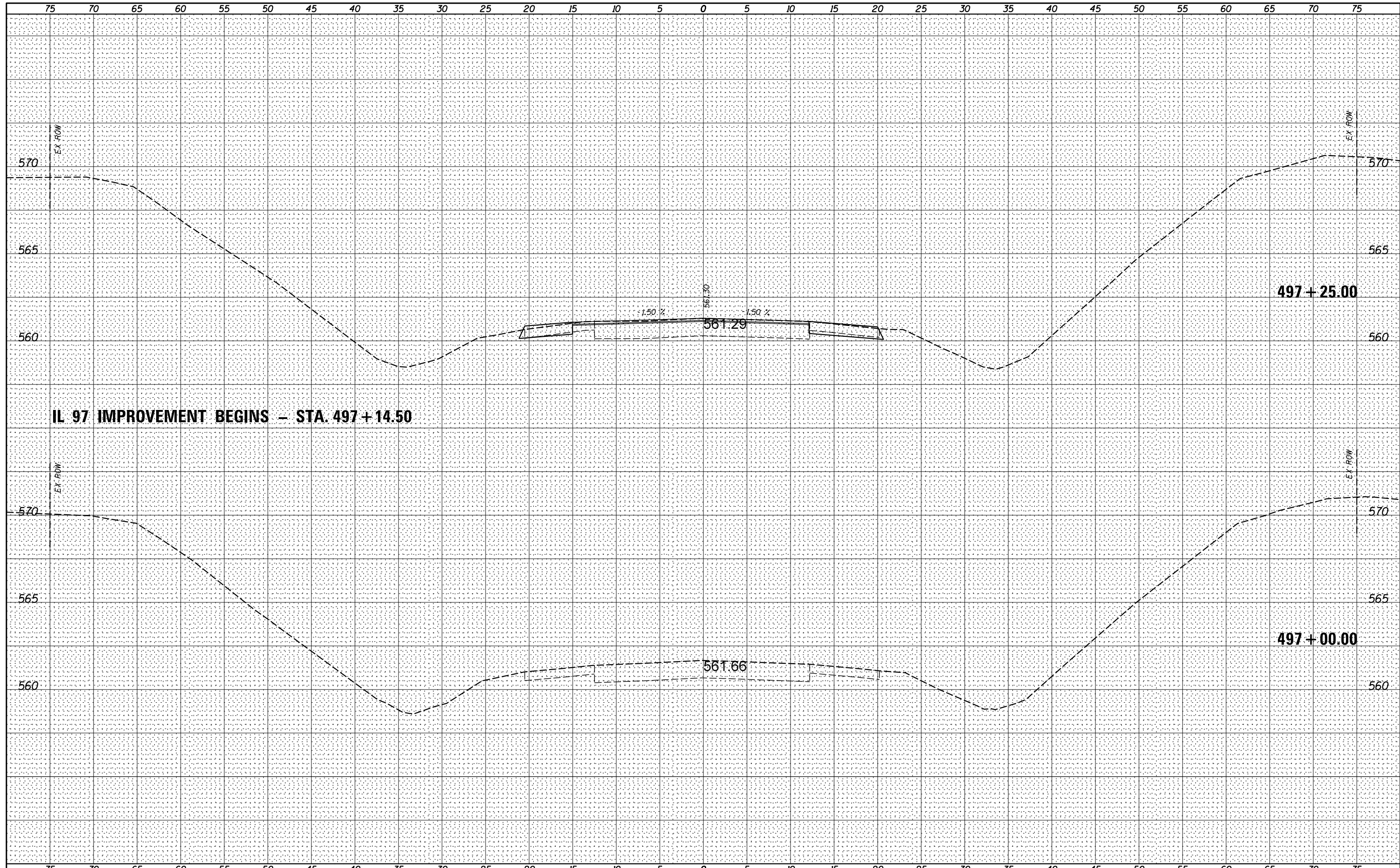
**CROSS SECTIONS
 FARMINGDALE ROAD**

SCALE: _____ SHEET NO. _____ OF 3 SHEETS STA. 7+00.00 TO STA. 8+00.00

F.A.P. RTE.	SECTION	COUNTY	TOTAL SHEETS	SHEET NO.
67	W(RS-6), (106)RS-4, BP	SANGAMON	486	481
CONTRACT NO. 72B37				
ILLINOIS FED. AID PROJECT				

DATE	
BY	
FINAL SURVEY	SURVEYED
NOTE BOOK	PLOTTED
NO.	TEMPLATE
	AREAS CHECKED

DATE	
BY	
ORIGINAL SURVEY	SURVEYED
NOTE BOOK	PLOTTED
NO.	TEMPLATE
	AREAS CHECKED



IL 97 IMPROVEMENT BEGINS - STA. 497 + 14.50

FILE NAME =
FILEL

USER NAME = *USER*	DESIGNED -	REVISED -
	DRAWN -	REVISED -
PLOT SCALE = *SCALE*	CHECKED -	REVISED -
PLOT DATE = *DATE*	DATE -	REVISED -

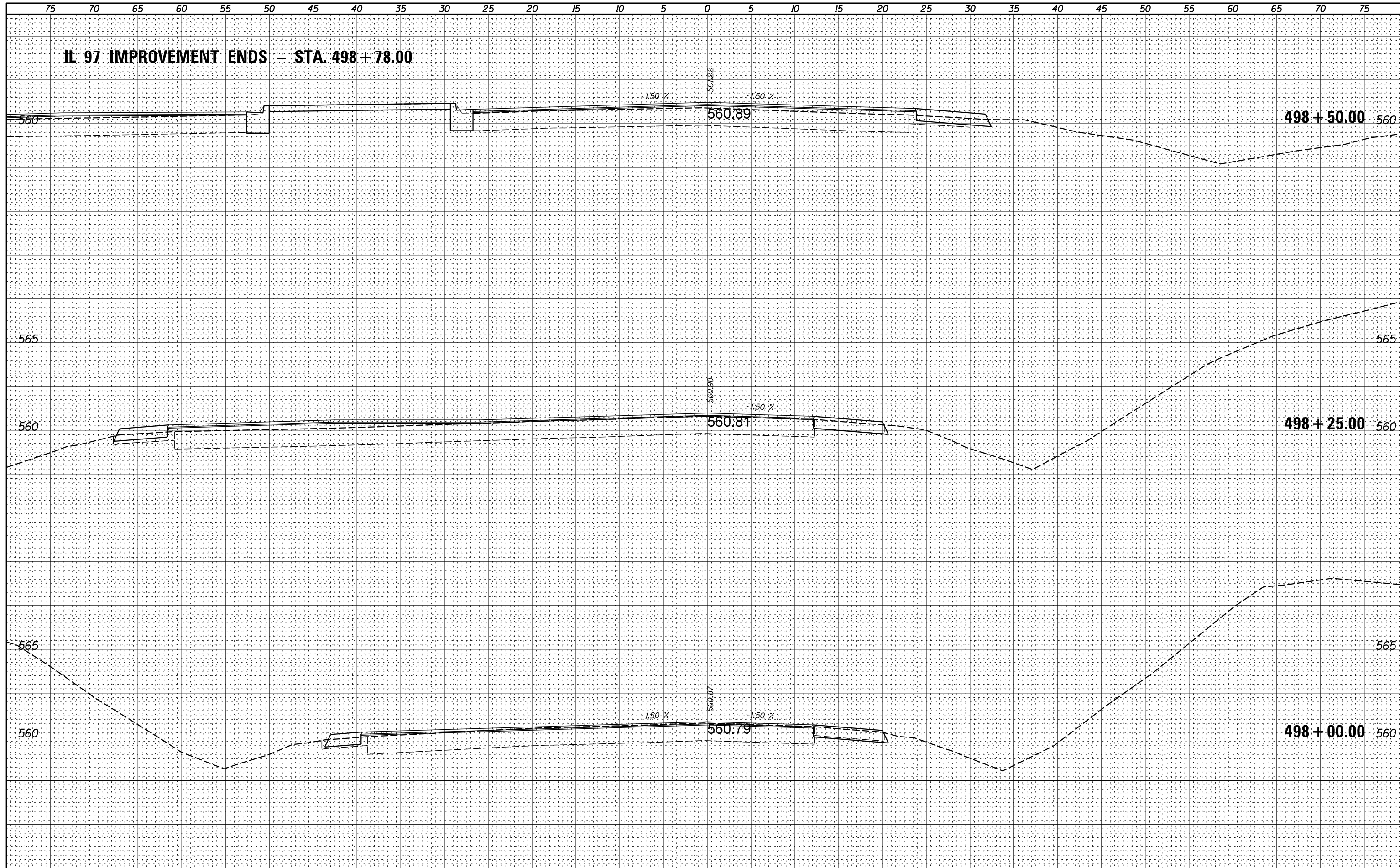


Allen Henderson & Associates
A Division of Veenstra & Kimm, Inc.
Springfield, IL. Phone: (217)544-8033
IL. Design Firm No. 184-001939

CROSS SECTIONS - IL 97
SCALE: _____ SHEET NO. 1 OF 4 SHEETS STA. 497+00.00 TO STA. 497+25.00

F.A.P. RTE.	SECTION	COUNTY	TOTAL SHEETS	SHEET NO.
67	W(RS-6), (106)RS-4, BP	SANGAMON	486	483
CONTRACT 72B37				
FED. ROAD DIST. NO. - [ILLINOIS] FED. AID PROJECT				

IL 97 IMPROVEMENT ENDS - STA. 498+78.00



BY	DATE
FINAL SURVEY	SURVEYED
NOTE BOOK	PLOTTED
NO.	TEMPLATE
	AREAS
	CHECKED

BY	DATE
ORIGINAL SURVEY	SURVEYED
NOTE BOOK	PLOTTED
NO.	TEMPLATE
	AREAS
	CHECKED

FILE NAME =
FILEL

USER NAME = *USER*
PLOT SCALE = *SCALE*
PLOT DATE = *DATE*

DESIGNED -
DRAWN -
CHECKED -
DATE -

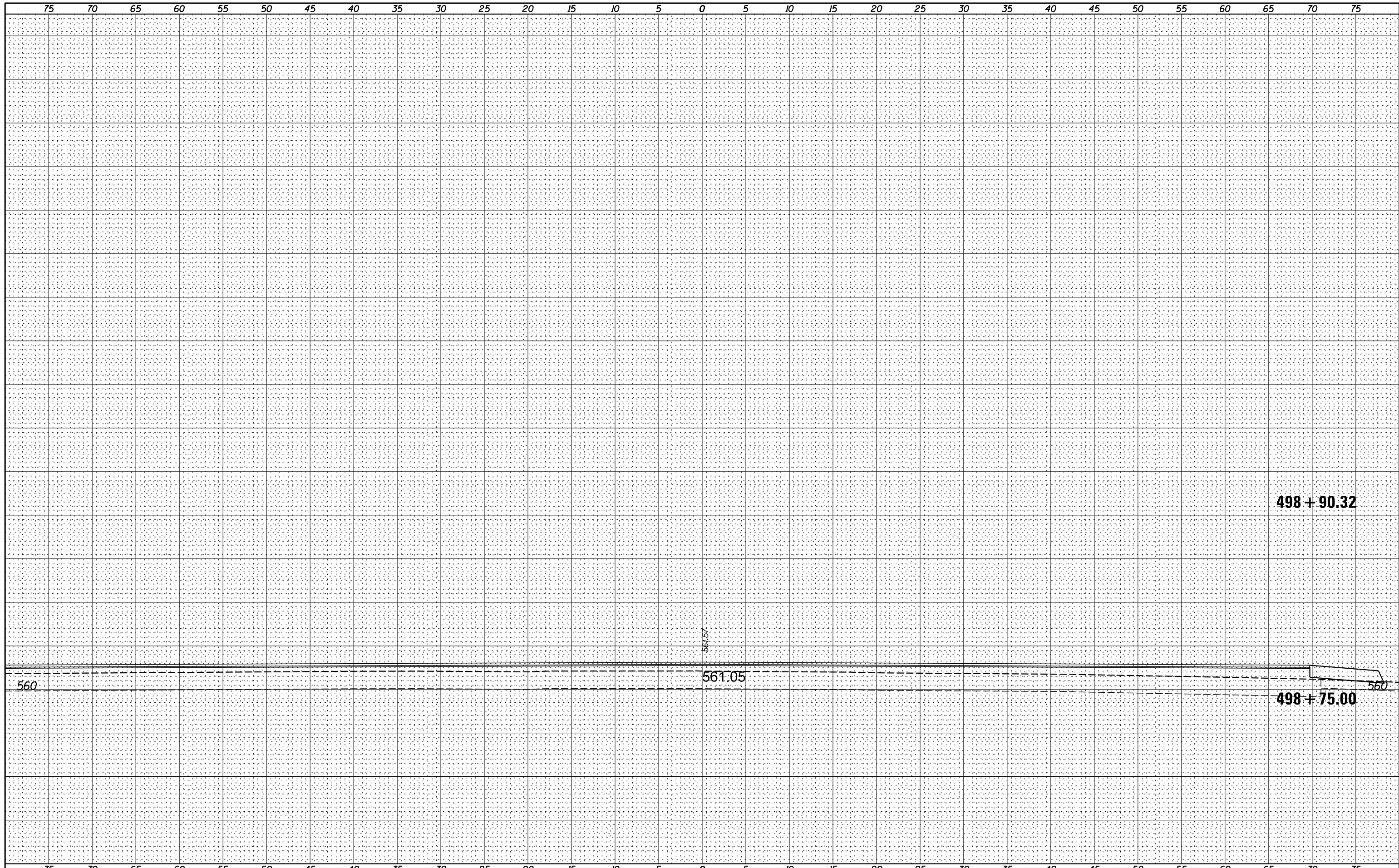
REVISED -
REVISED -
REVISED -
REVISED -



Allen Henderson & Associates
A Division of Veenstra & Kimm, Inc.
Springfield, IL. Phone: (217)544-8033
IL. Design Firm No. 184-001939

CROSS SECTIONS - IL 97
SCALE: _____ SHEET NO. 3 OF 4 SHEETS STA. 498+00.00 TO STA. 498+50.00

F.A.P. RTE.	SECTION	COUNTY	TOTAL SHEETS	SHEET NO.
67	W(RS-6), (106)RS-4, BP	SANGAMON	486	485
CONTRACT NO. 72B37				
FED. ROAD DIST. NO. - [ILLINOIS] FED. AID PROJECT				



BY	DATE
FINAL SURVEY	SURVEYED
NOTE BOOK	PLOTTED
NO.	TEMPLATE
	AREAS
	CHECKED

BY	DATE
ORIGINAL SURVEY	SURVEYED
NOTE BOOK	PLOTTED
NO.	TEMPLATE
	AREAS
	CHECKED

FILE NAME =
 FILEL

USER NAME = *USER*
 PLOT SCALE = *SCALE*
 PLOT DATE = *DATE*

DESIGNED -	REVISED -
DRAWN -	REVISED -
CHECKED -	REVISED -
DATE -	REVISED -



Allen Henderson & Associates
 A Division of Veenstra & Kimm, Inc.
 Springfield, IL. Phone: (217)544-8033
 IL. Design Firm No. 184-001939

CROSS SECTIONS - IL 97
 SCALE: _____ SHEET NO. 4 OF 4 SHEETS STA. 498+75.00 TO STA. 498+90.32

F.A.P. RTE.	SECTION	COUNTY	TOTAL SHEETS	SHEET NO.
67	WRS-6, 106RS-4, BP	SANGAMON	486	486
CONTRACT NO. 72B37				
FED. ROAD DIST. NO. - [ILLINOIS] FED. AID PROJECT				