

STATE OF ILLINOIS
DEPARTMENT OF TRANSPORTATION

F.A. NO.	SECTION	COUNTY	TOTAL SHEETS	SHEET NO.
DIST 8 DEEP WELLS 2019-1		ST. CLAIR	10	1
* VARIOUS		ILLINOIS	CONTRACT NO. 76L79	

D-98-095-18

INDEX OF SHEETS

- 1 COVER SHEET AND STANDARDS
- 2 GENERAL NOTES, COMMITMENTS AND ADT
- 3 SUMMARY OF QUANTITIES
- 4 LOCATION NO. 1: SITE PLAN MISSOURI AVENUE WELLS
- 5 LOCATION NO. 2: SITE PLAN TRI-LEVEL WELLS
- 6 LOCATION NO. 3: SITE PLAN 15TH ST. WELLS
- 7 LOCATION NO. 4: SITE PLAN 25TH ST. WELLS
- 8 WELL HOUSE BUILDING - CAISSON DETAILS MISSOURI AVENUE DEEP WELL (LOCATION 1)
- 9 TYPICAL WELL DETAILS LOCATION 1
- 10 TYPICAL WELL DETAILS LOCATION 2, 3, 4

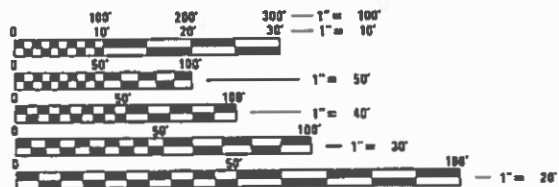
PROPOSED
HIGHWAY PLANS

VARIOUS ROUTES
SECTION DIST 8 DEEP WELLS 2019-1
WELL TREATMENT
ST. CLAIR COUNTY



STANDARDS

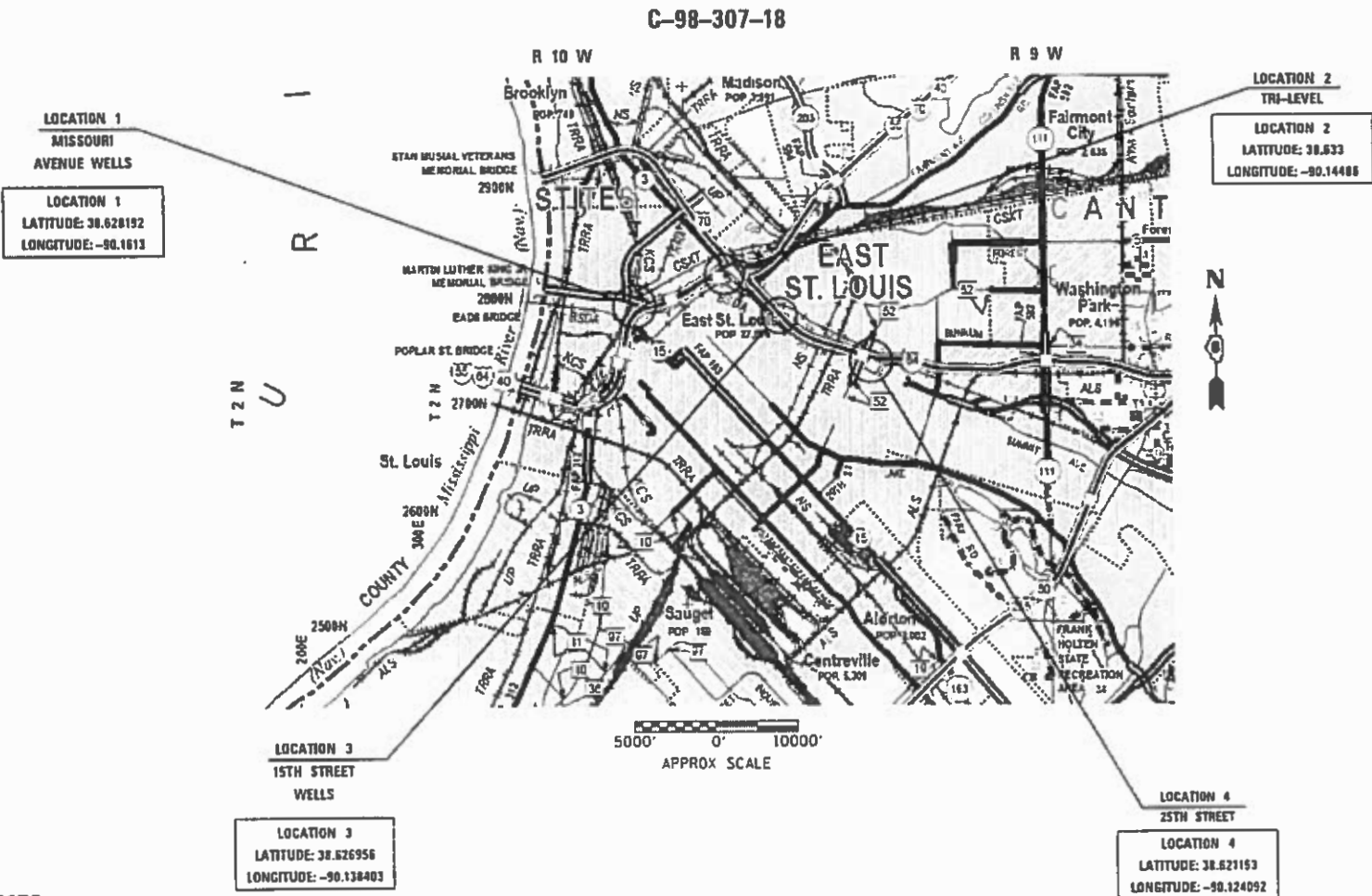
- 000001-06
- 001006
- 701101-05
- 701106-02
- 701400-09
- 701401-11
- 701428-01
- 701601-09
- 701901-07



FULL SIZE PLANS HAVE BEEN PREPARED USING STANDARD ENGINEERING SCALES. REDUCED SIZED PLANS WILL NOT CONFORM TO STANDARD SCALES. IN MAKING MEASUREMENTS ON REDUCED PLANS, THE ABOVE SCALES MAY BE USED.

J.U.L.I.E.
JOINT UTILITY LOCATION INFORMATION FOR EXCAVATION
1-800-892-0123
OR 811

PROJECT ENGINEER: HERVE GELIN (618) 346-3179
PROJECT MANAGER: PHILLIP PETE SAWYER (618) 346-3275
SQUAD LEADER: JEYCEA BOBO (618) 346-3190
CONTRACT NO. 76L79



GROSS LENGTH = 6800 FT. = 1.288 MILE
NET LENGTH = 6000 FT. = 1.288 MILE

STATE OF ILLINOIS
DEPARTMENT OF TRANSPORTATION

SUBMITTED *June 19, 2018*
Jeffrey Z. Kane
REGIONAL ENGINEER

Doug H. [Signature]
ENGINEER OF DESIGN AND ENVIRONMENT

Paul [Signature]
DIRECTOR OF HIGHWAYS PROJECT IMPLEMENTATION

PRINTED BY THE AUTHORITY
OF THE STATE OF ILLINOIS

GENERAL NOTES

1. WHERE SECTION OR SUB-SECTION MONUMENTS ARE ENCOUNTERED, THE ENGINEER SHALL BE NOTIFIED BEFORE SUCH MONUMENTS ARE REMOVED. THE CONTRACTOR SHALL PROTECT AND CAREFULLY PRESERVE ALL PROPERTY MARKERS AND MONUMENTS UNTIL THE OWNER, AN AUTHORIZED SURVEYOR OR AGENT HAS WITNESSED OR OTHERWISE REFERENCED THE LOCATION.
2. ILLINOIS STATE LAW REQUIRES A 48-HOUR NOTICE TO BE GIVEN TO UTILITIES BEFORE DIGGING. FIELD MARKING OF FACILITIES MAY BE OBTAINED BY CONTACTING J.U.L.I.E. (1-800-892-0123 OR 811) OR FOR NON-MEMBERS THE UTILITY COMPANY DIRECTLY.
3. ALL WELLS REQUIRE SEALING OF MISCELLANEOUS OPENINGS IN THE WELL HEAD TO PREVENT LEAKAGE DURING TREATMENT OPERATIONS. THIS WORK WILL NOT BE PAID FOR SEPARATELY, BUT WILL BE INCLUDED IN COST OF THE SPECIFIED TREATMENT METHODS.
4. THE DEPARTMENT RESERVES THE RIGHT TO NOTIFY THE CONTRACTOR TO CHANGE THE SEQUENCE OF WELL CLEANING IF NEEDED TO ENSURE PROPER DEWATERING NEEDS FOR THE DEPARTMENT. THE CONTRACTOR SHALL ALLOW 24 HOURS BETWEEN WELL TREATMENTS. THE CONTRACTOR SHALL INSTALL THE TEMPORARY DISCHARGE PIPES BACK INTO THE WELL DISCHARGE PIPES. ALL DISCHARGE WATER SHALL BE DISCHARGED INTO THE WELL FORCE MAINS.
5. THE DEPARTMENT STRONGLY ENCOURAGES THE PRIME CONTRACTOR AND THEIR APPROVED SUB-CONTRACTORS TO HIRE MINORITY, WOMEN AND DISADVANTAGED INDIVIDUALS FROM ITS FEDERALLY FUNDED HIGHWAY CONSTRUCTION CAREERS TRAINING PROGRAM (HCCTP) TO HELP MEET WORKFORCE AND TRAINEE GOALS. THIS PROGRAM IS TRAINING MINORITIES, WOMEN AND DISADVANTAGED INDIVIDUALS IN HIGHWAY CONSTRUCTION-RELATED SKILLS, E.G., MATH FOR THE TRADES, JOB READINESS, TECHNICAL SKILLS COURSEWORK (CARPENTRY, CONCRETE FLATWORK, BLUEPRINT READING, SITE PLANS, SITE WORK, TOOLS USE, ETC.) AND OSHA 10 HOUR CERTIFICATION, TO PREPARE THEM FOR A CAREER IN THE HIGHWAY CONSTRUCTION TRADES. GRADUATES ARE WELL-TRAINED AND READY TO BECOME PRODUCTIVE ENTRY-LEVEL CONSTRUCTION WORKERS. CONTACT THE DISTRICT 8 EEO OFFICE AT 618-346-3360 AND/OR THE HCCTP COORDINATOR AT 618-874-6528 TO LEARN MORE ABOUT THE PROGRAM AND FOR ASSISTANCE IN MEETING WORKFORCE AND TRAINEE GOALS.

FUNCTIONAL CLASSIFICATION
URBAN MINOR ARTERIAL

COMMITMENTS
NONE

LOCATION 1
WB: 2019 ADT = 45000
S.U.=2.0% M.U.=7.2%
EB: 2019 ADT = 47700
S.U.=2.2% M.U.=8.5%

LOCATION 2
WB: 2019 ADT = 34600
S.U.=3.7% M.U.=11.1%
EB: 2019 ADT = 35100
S.U.=3.5% M.U.=10.4%

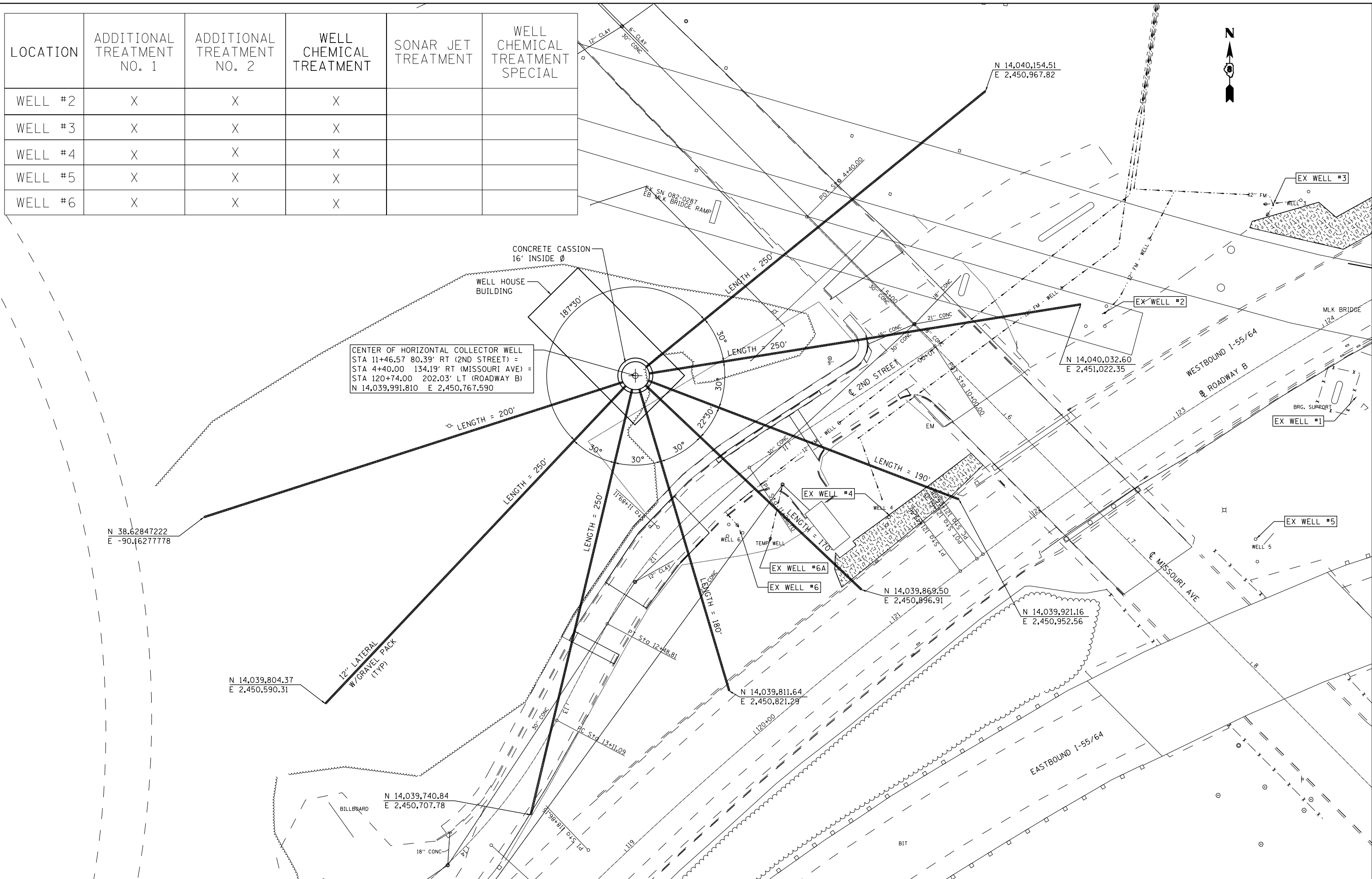
LOCATION 3
EB RAMP: 2019 ADT = 2850
S.U.=4.5% M.U.=4.5%

LOCATION 4
SB: 2019 ADT = 4700
S.U.=3.0% M.U.=1.5%
NB: 2019 ADT = 4700
S.U.=3.0% M.U.=1.5%

MODEL: Default
FILE NAME: P:\1108\B&E\BIDD\ITEC\Illinois.gov\PIWDOT\Documents\DOT Offices\District 8\Projects\0876L79\CADD\data\Cadd\sheet0876L79-2-ft-eban.dgn

USER NAME = boboja	DESIGNED -	REVISED -	STATE OF ILLINOIS DEPARTMENT OF TRANSPORTATION	GENERAL NOTES, COMMITMENTS AND ADT			F.A. RTE.	SECTION	COUNTY	TOTAL SHEETS	SHEET NO.
DRAWN -	REVISIED -	*					DIST 8 DEEP WELLS 2019-1	*	10	2	
PLOT SCALE = 40.0000 ' / in.	CHECKED -	REVISED -		* = VARIOUS			CONTRACT NO. 76L79				
PLOT DATE = 6/19/2018	DATE -	REVISED -		SCALE:	SHEET OF SHEETS	STA. TO STA.	ILLINOIS FED. AID PROJECT				

LOCATION	ADDITIONAL TREATMENT NO. 1	ADDITIONAL TREATMENT NO. 2	WELL CHEMICAL TREATMENT	SONAR JET TREATMENT	WELL CHEMICAL TREATMENT SPECIAL
WELL #2	X	X	X		
WELL #3	X	X	X		
WELL #4	X	X	X		
WELL #5	X	X	X		
WELL #6	X	X	X		



CENTER OF HORIZONTAL COLLECTOR WELL
 STA 11+46.57 80.39' RT (2ND STREET) =
 STA 4+40.00 134.19' RT (MISSOURI AVE) =
 STA 120+74.00 202.03' LT (ROADWAY B)
 N 14,039,991.810 E 2,450,767.590

MODEL: Default
 FILE: \\msc01\B&E\ID\ITC\Illinois\proj\76L79\CADD\data\CAD\sheet\0876L79-1-1.dwg
 PROJECT: 0876L79\CADD\data\CAD\sheet\0876L79-1-1.dwg

USER NAME = boboja	DESIGNED -	REVISED -
PLOT SCALE = 40.0000' / in.	DRAWN -	REVISED -
PLOT DATE = 6/19/2018	CHECKED -	REVISED -
	DATE -	REVISED -

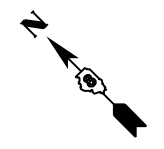
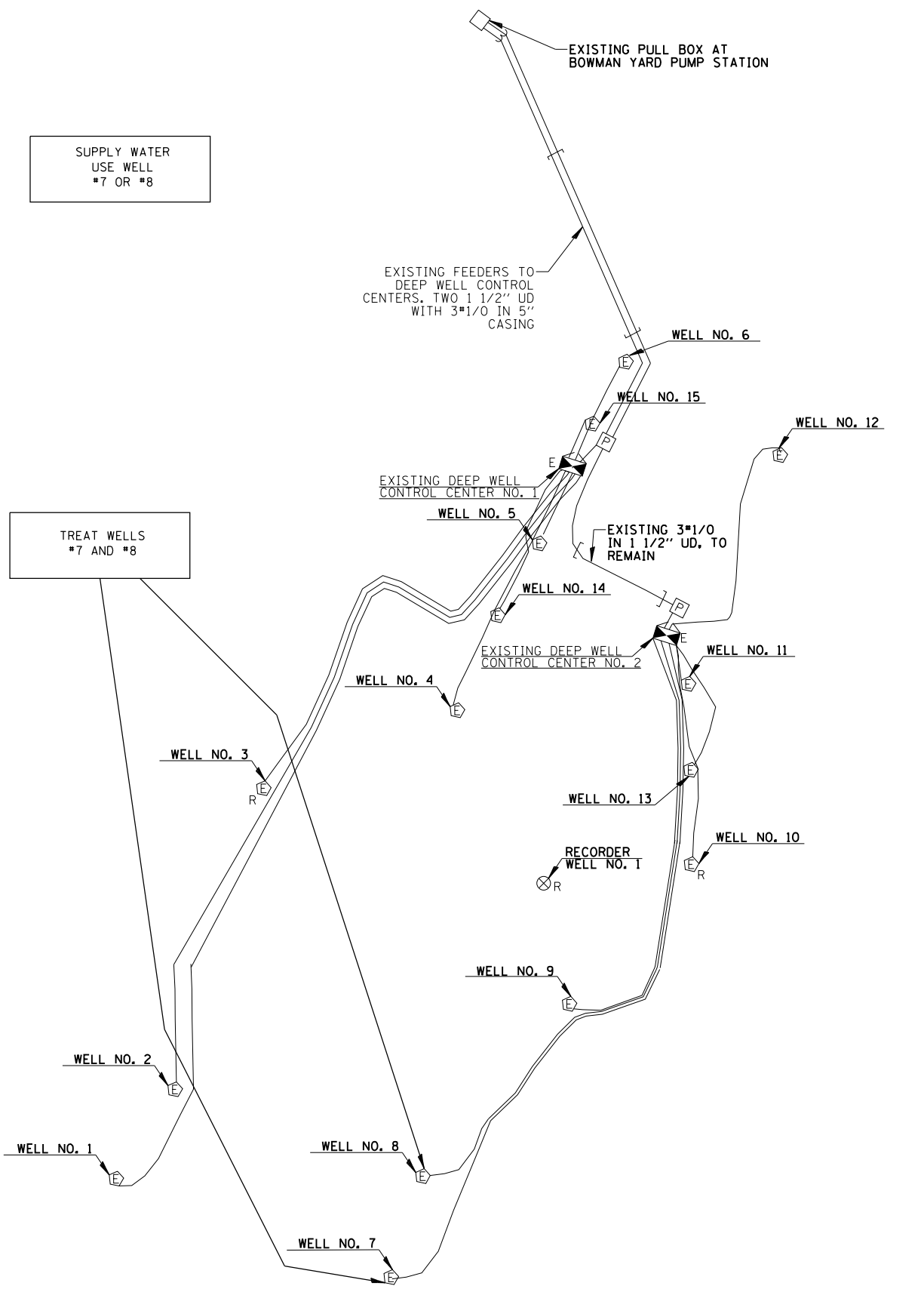
**STATE OF ILLINOIS
 DEPARTMENT OF TRANSPORTATION**

LOCATION 1 SITE PLAN MISSOURI AVENUE WELLS

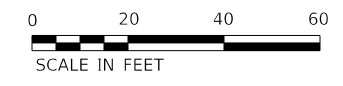
SCALE: SHEET OF SHEETS STA. TO STA.

F.A. RTE.	SECTION	COUNTY	TOTAL SHEETS	SHEET NO.
-	DIST 8 DEEP WELLS 2019-1	*	10	4
* = VARIOUS		CONTRACT NO. 76L79		
		ILLINOIS FED. AID PROJECT		

MODEL: Default
 FILE: Name: p:\u0008\B&E\BID\ITEC\Illinois\gov\PIW\DOT\Documents\1\DOT - Offices\1\0876179\CADD\data\CAD\sheet\0876179-1-1-1-plan.dgn



LOCATION	ADDITIONAL TREATMENT NO. 1	ADDITIONAL TREATMENT NO. 2	WELL CHEMICAL TREATMENT	SONAR JET TREATMENT	WELL CHEMICAL TREATMENT SPECIAL
WELL #7	X	X	X		
WELL #8	X	X		X	



USER NAME = boboja	DESIGNED -	REVISED -
	DRAWN -	REVISED -
PLOT SCALE = 40,0000 ' / in.	CHECKED -	REVISED -
PLOT DATE = 6/19/2018	DATE -	REVISED -

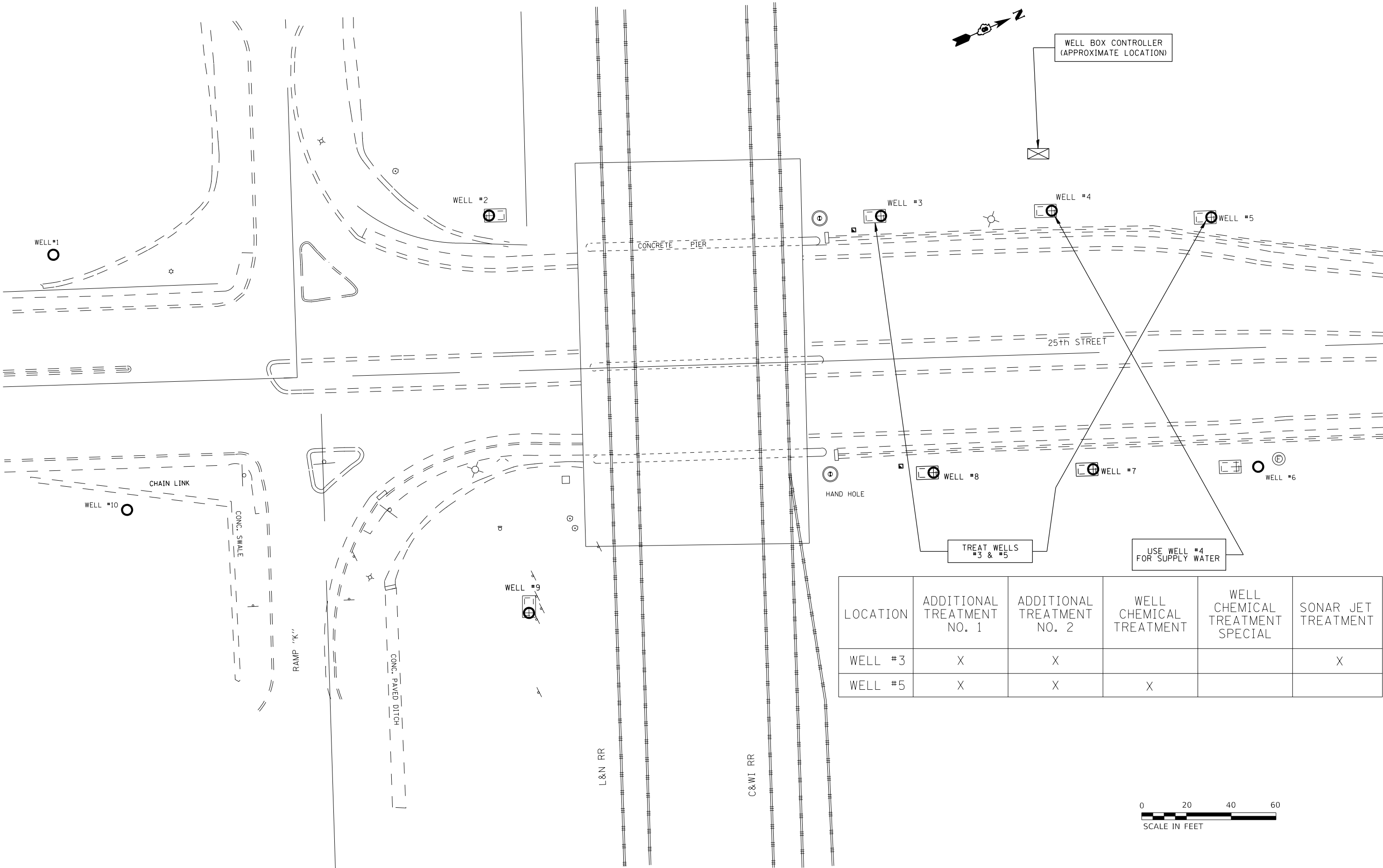
STATE OF ILLINOIS
DEPARTMENT OF TRANSPORTATION

LOCATION 2 SITE PLAN TRI-LEVEL WELLS				
SCALE:	SHEET	OF	SHEETS	STA. TO STA.

F.A. RTE.	SECTION	COUNTY	TOTAL SHEETS	SHEET NO.
*	DIST 8 DEEP WELLS 2019-1	*	10	5
* = VARIOUS			CONTRACT NO. 76L79	
ILLINOIS		FED. AID PROJECT		



WELL BOX CONTROLLER
(APPROXIMATE LOCATION)



LOCATION	ADDITIONAL TREATMENT NO. 1	ADDITIONAL TREATMENT NO. 2	WELL CHEMICAL TREATMENT	WELL CHEMICAL TREATMENT SPECIAL	SONAR JET TREATMENT
WELL #3	X	X			X
WELL #5	X	X	X		



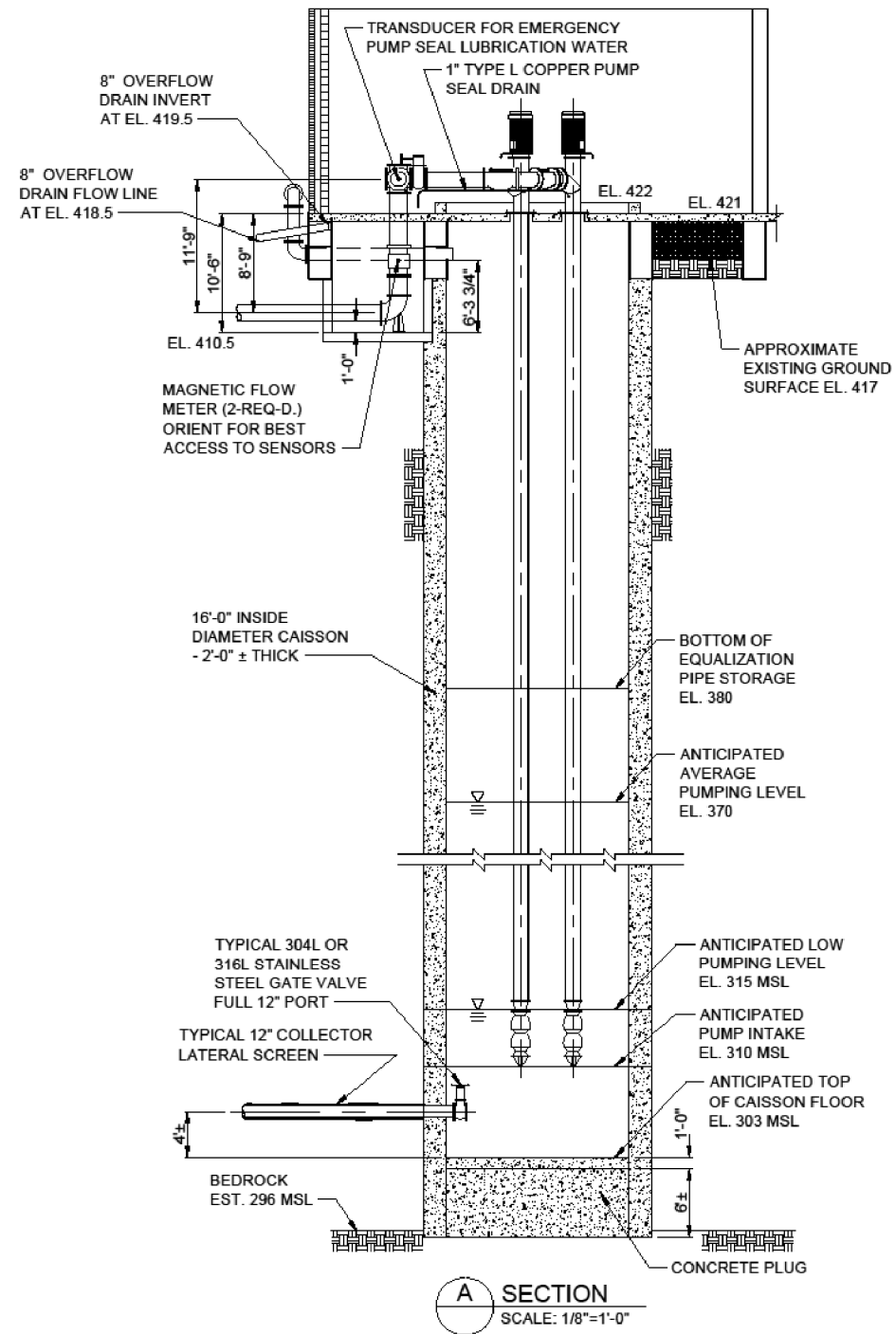
MODEL: Default
 FILE: \\mhc-pw\ul\B&E\ID\NTEC\Illinois.gov\PW\DOT\Documents\DOT_Offices\District 8\Projects\0876L79\CADD\data\CAD\sheet\0876L79-sf-h-plan.dgn

USER NAME = boboja	DESIGNED -	REVISED -
	DRAWN -	REVISED -
PLOT SCALE = 40,0000 ' / in.	CHECKED -	REVISED -
PLOT DATE = 6/19/2018	DATE -	REVISED -

**STATE OF ILLINOIS
DEPARTMENT OF TRANSPORTATION**

LOCATION 4 SITE PLAN 25TH ST WELLS				
SCALE:	SHEET	OF	SHEETS	STA. TO STA.

F.A. RTE.	SECTION	COUNTY	TOTAL SHEETS	SHEET NO.
*	DIST 8 DEEP WELLS 2019-1	*	10	7
* = VARIOUS			CONTRACT NO. 76L79	
ILLINOIS FED. AID PROJECT				



MODEL: Default
 FILE: \\nas101.psu.edu\B4E8D1D1E1C6\Illinois\gov\PIWDOT\Documents\DOT_Offices\District 8\Projects\0876L79\CADD\data\CAD\sheet\0876L79-1-ft-eban.dgn

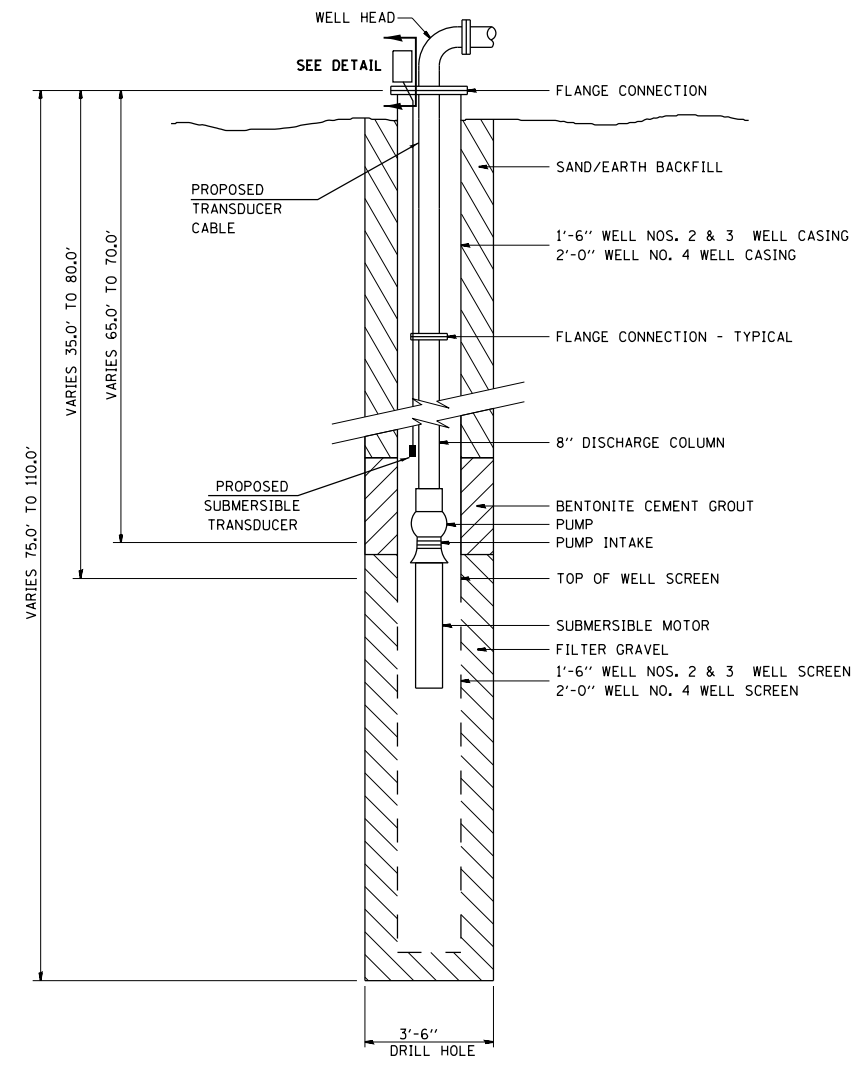
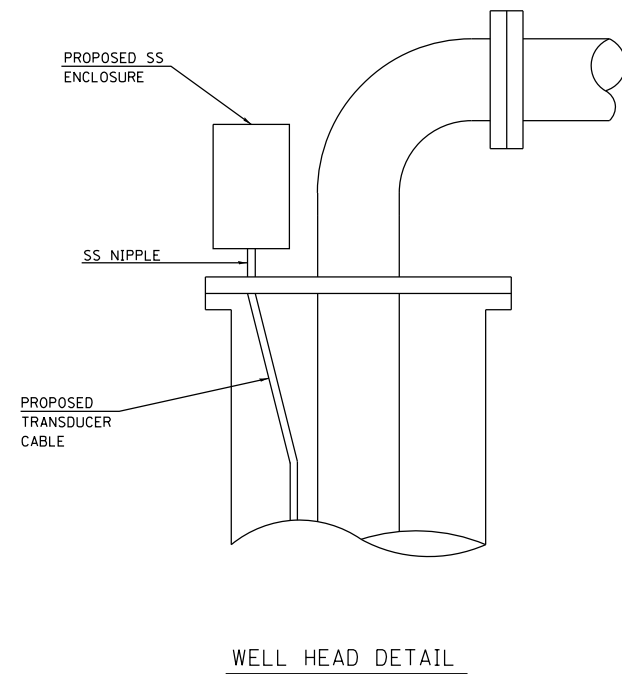
USER NAME = boboja	DESIGNED -	REVISED -
	DRAWN -	REVISED -
PLOT SCALE = 40,0000 ' / in.	CHECKED -	REVISED -
PLOT DATE = 6/19/2018	DATE -	REVISED -

**STATE OF ILLINOIS
 DEPARTMENT OF TRANSPORTATION**

**WELL HOUSE BUILDING - CAISSON DETAILS
 MISSOURI AVENUE DEEP WELL (LOCATION 1)**

SCALE: SHEET OF SHEETS STA. TO STA.

F.A. RTE.	SECTION	COUNTY	TOTAL SHEETS	SHEET NO.
+	DIST 8 DEEP WELLS 2019-1	+	10	8
			CONTRACT NO. 76L79	
		ILLINOIS	FED. AID PROJECT	



NOT TO SCALE

MODEL: Default
 FILE: \\nrcs-pw\ulb\BEBID\NTEC\Illinois\gov\PIW\DOT\Documents\1\DOT_Offices\Directorct 8\Projects\0876179\CAD\data\CAD\sheet\0876179-4-fc-eban.dgn

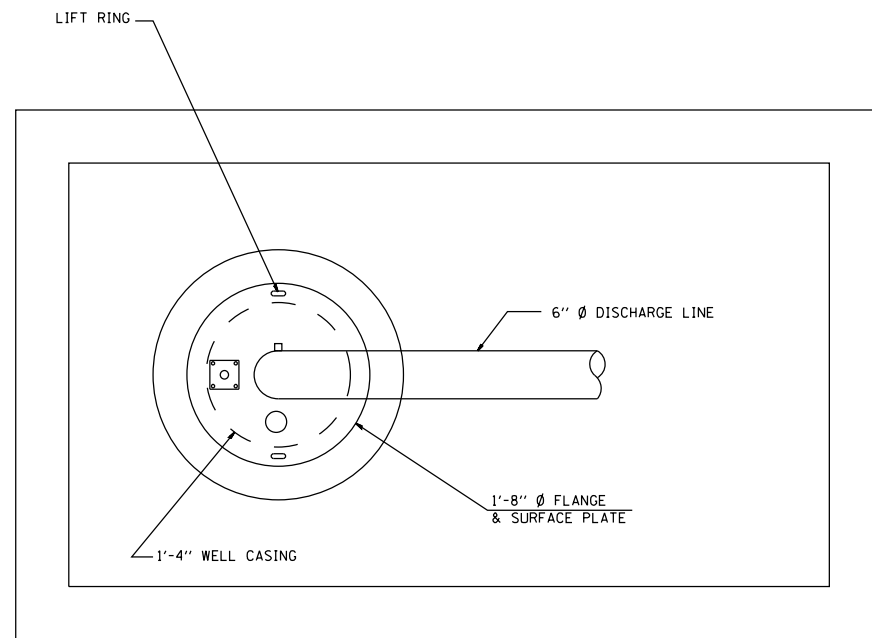
USER NAME = boboja	DESIGNED -	REVISED -
	DRAWN -	REVISED -
PLOT SCALE = 40.0000 ' / in.	CHECKED -	REVISED -
PLOT DATE = 6/19/2018	DATE -	REVISED -

**STATE OF ILLINOIS
DEPARTMENT OF TRANSPORTATION**

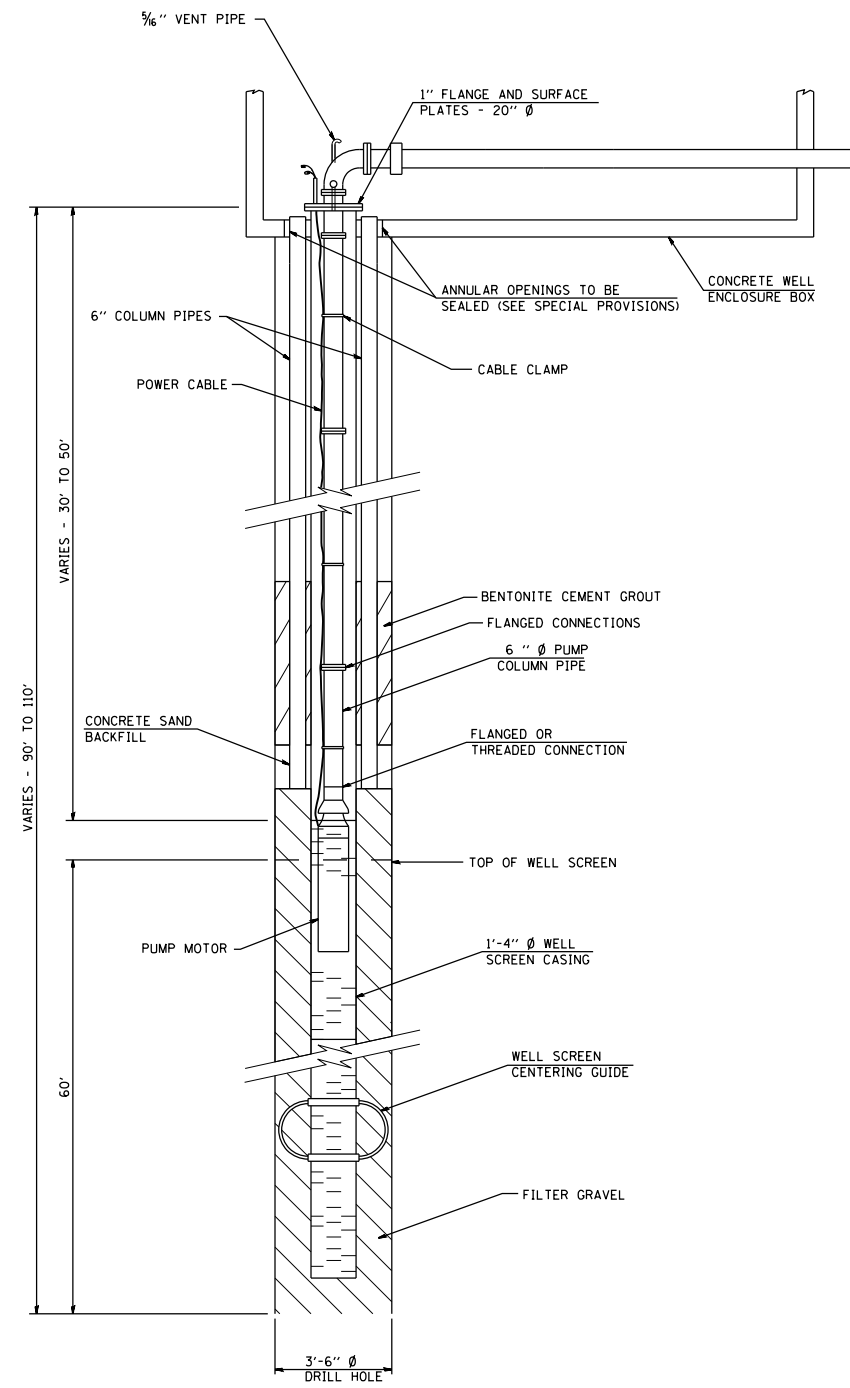
TYPICAL WELL DETAILS LOCATION 1

SCALE: SHEET OF SHEETS STA. TO STA.

F.A. RTE.	SECTION	COUNTY	TOTAL SHEETS	SHEET NO.
*	DIST 8 DEEP WELLS 2019-1	*	10	9
* = VARIOUS			CONTRACT NO. 76L79	
ILLINOIS FED. AID PROJECT				



WELL HEAD DETAIL



EXISTING

NOT TO SCALE

MODEL: Default
FILE: \\nas101.pva\ill08\BID\NTEC\Illinois\gov\PI\DOT\Documents\DOT - Offices\District 8\Projects\0876L79\CAD\data\CADsheets\0876L79-2-ft-clan.dgn

USER NAME = boboja	DESIGNED -	REVISED -
	DRAWN -	REVISED -
PLOT SCALE = 40,0000 ' / in.	CHECKED -	REVISED -
PLOT DATE = 6/19/2018	DATE -	REVISED -

STATE OF ILLINOIS
DEPARTMENT OF TRANSPORTATION

TYPICAL WELL DETAILS LOCATION 2, 3, 4

SCALE: SHEET OF SHEETS STA. TO STA.

F.A. RTE.	SECTION	COUNTY	TOTAL SHEETS	SHEET NO.
*	DIST 8 DEEP WELLS 2019-1	*	10	10
* = VARIOUS			CONTRACT NO. 76L79	
ILLINOIS		FED. AID PROJECT		