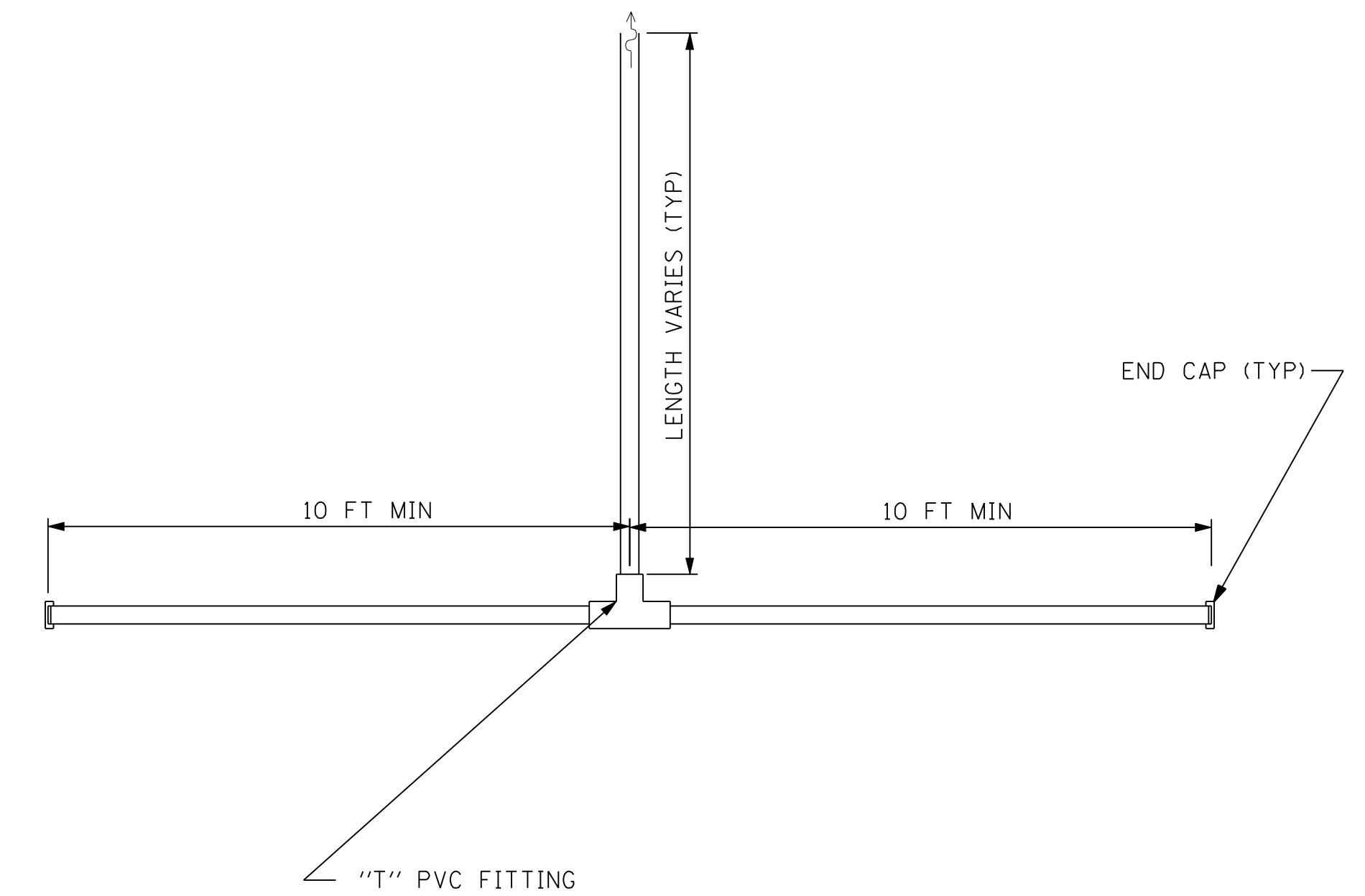
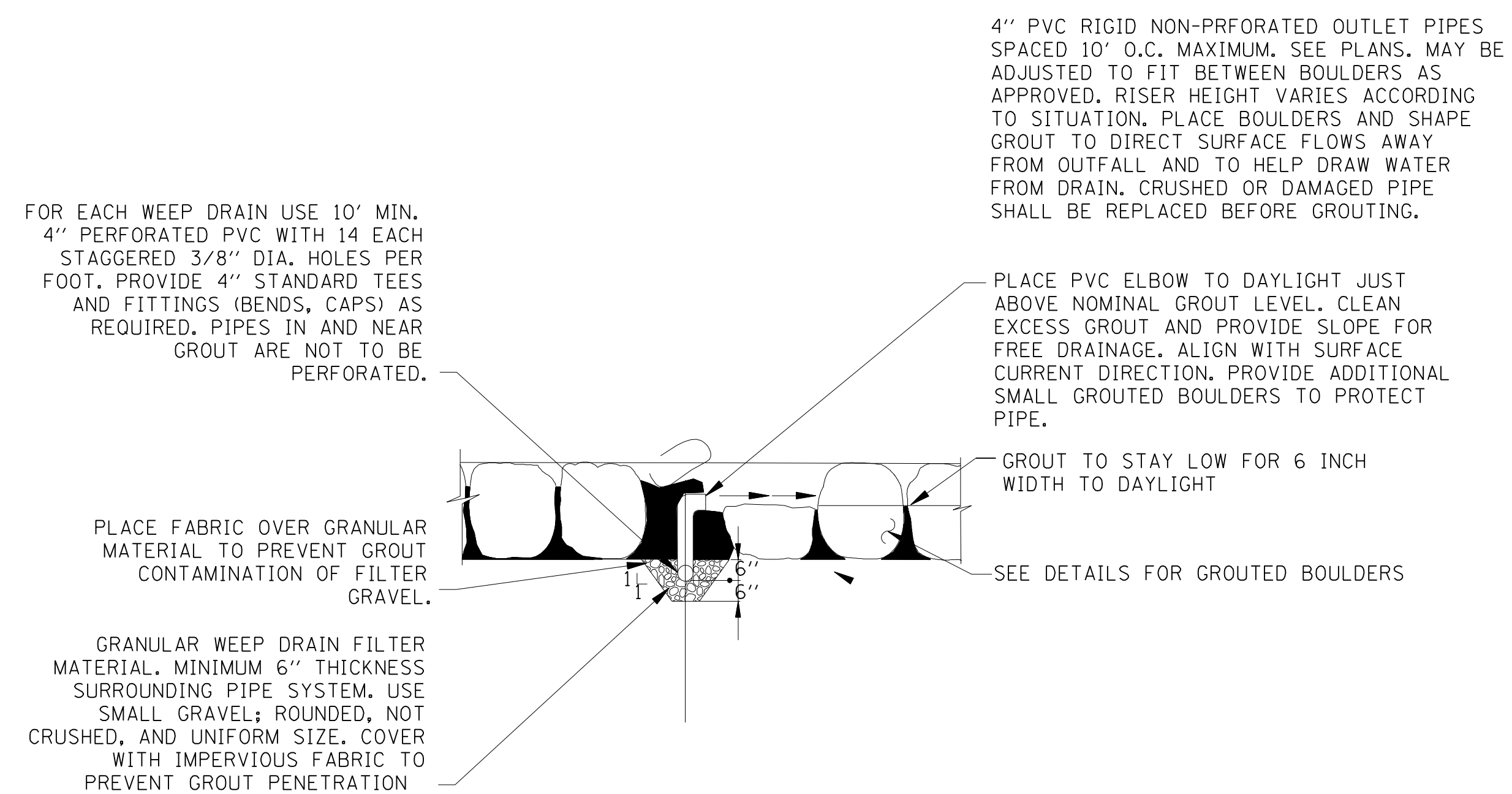


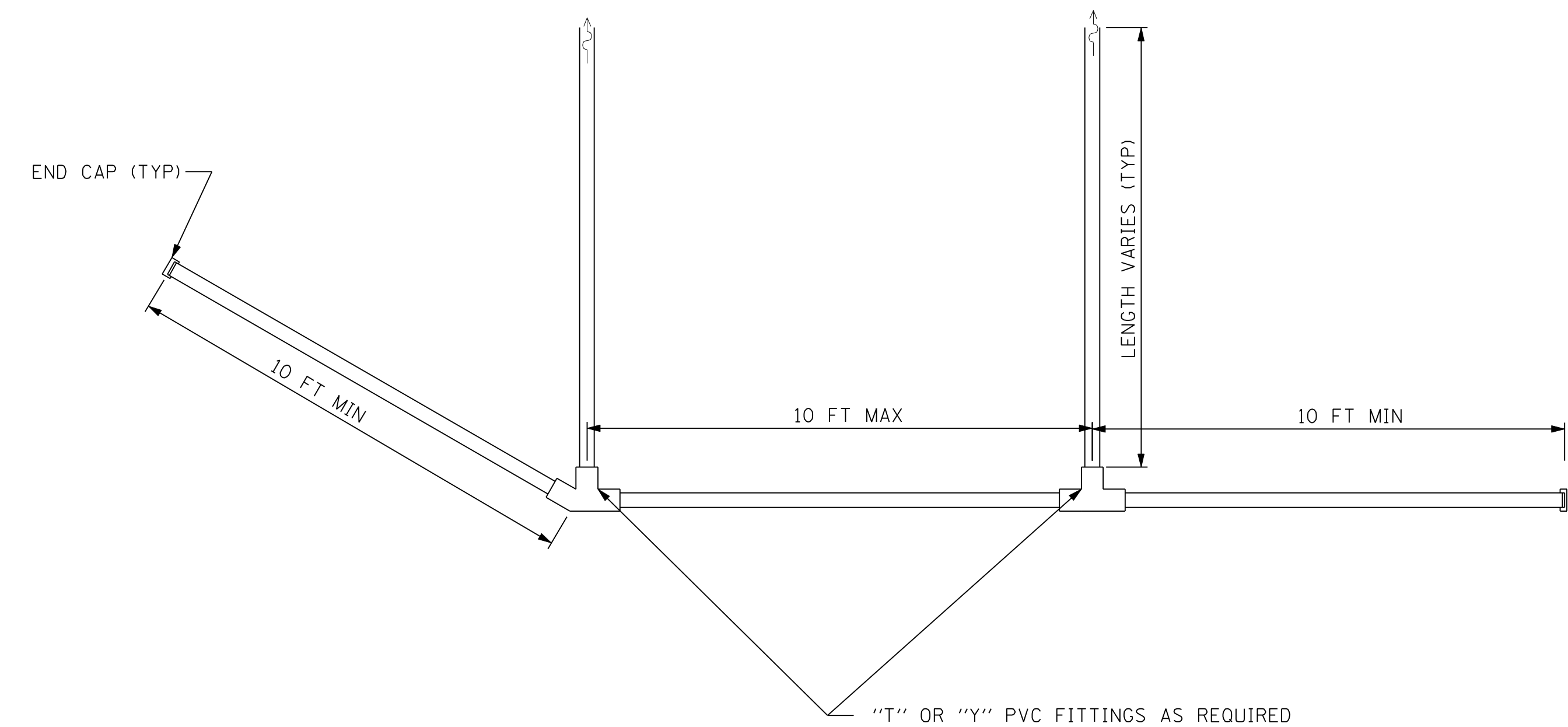
11 TYPICAL TYPE A WEEP DRAIN SYSTEM
NOT TO SCALE



TYPICAL TYPE A WEEP DRAIN SYSTEM PLAN
NOT TO SCALE



12 TYPICAL TYPE B WEEP DRAIN SYSTEM
NOT TO SCALE



TYPICAL TYPE B WEEP DRAIN SYSTEM PLAN
NOT TO SCALE

Designed By: JPR
 Checked By: TKL
 Drawn By: JPR
 Checked By: TKL
 Date: 10/09/2007
 Time: 4:49:45 PM
 File Path: S:\DOCUMENT\02348801\CIVIL\DGN\DET000REX.DGN