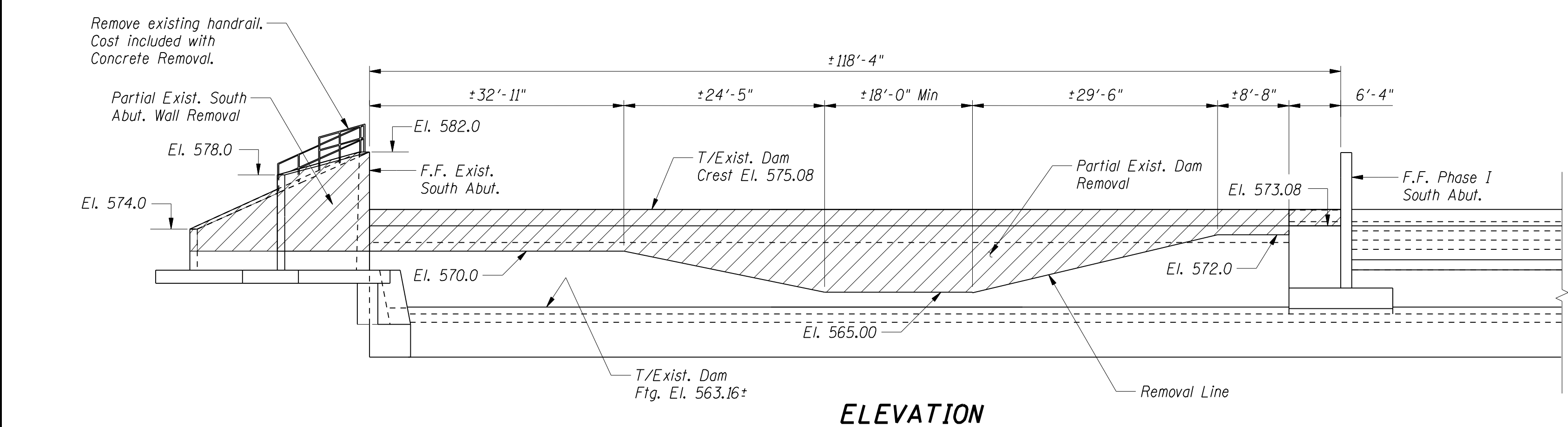
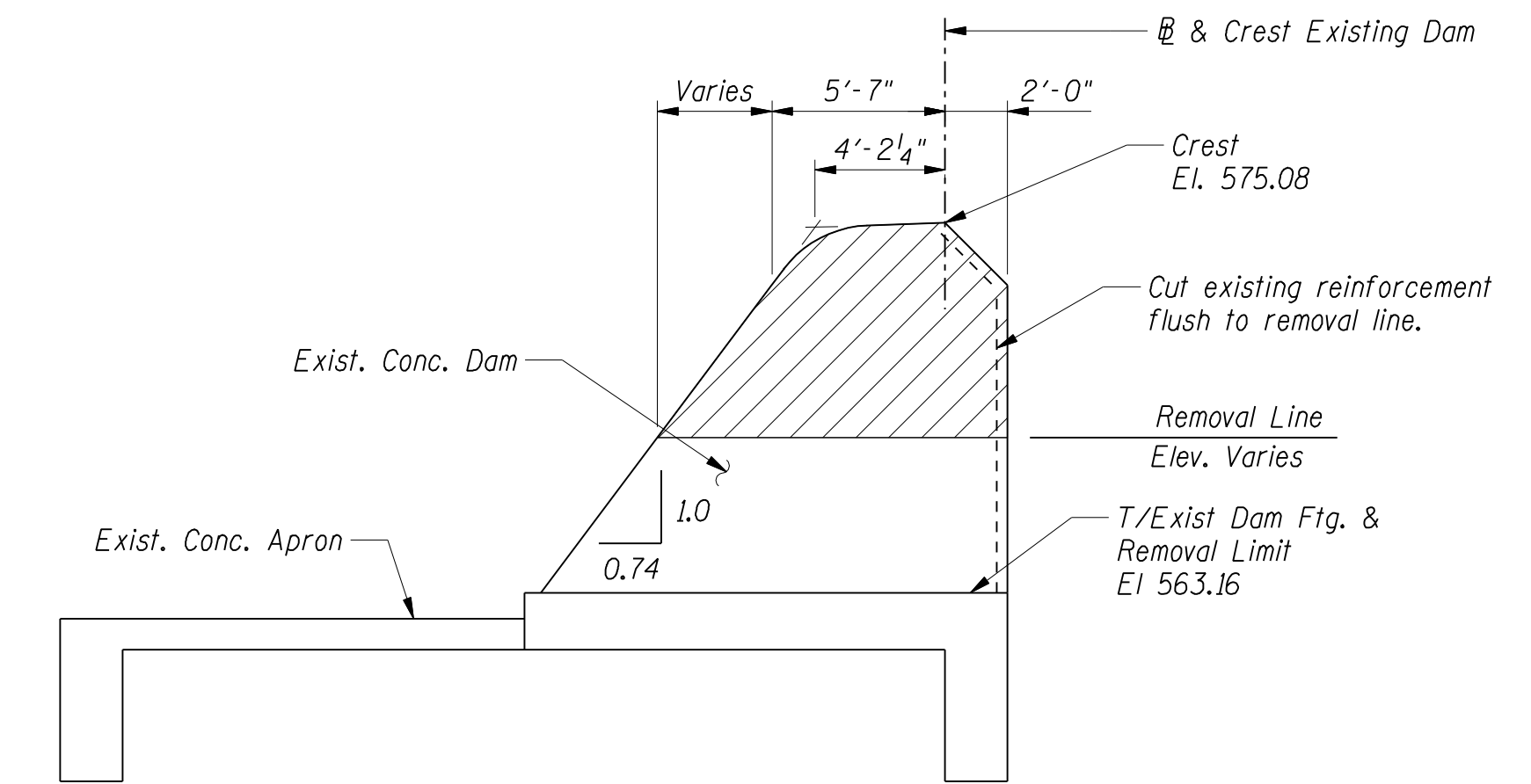


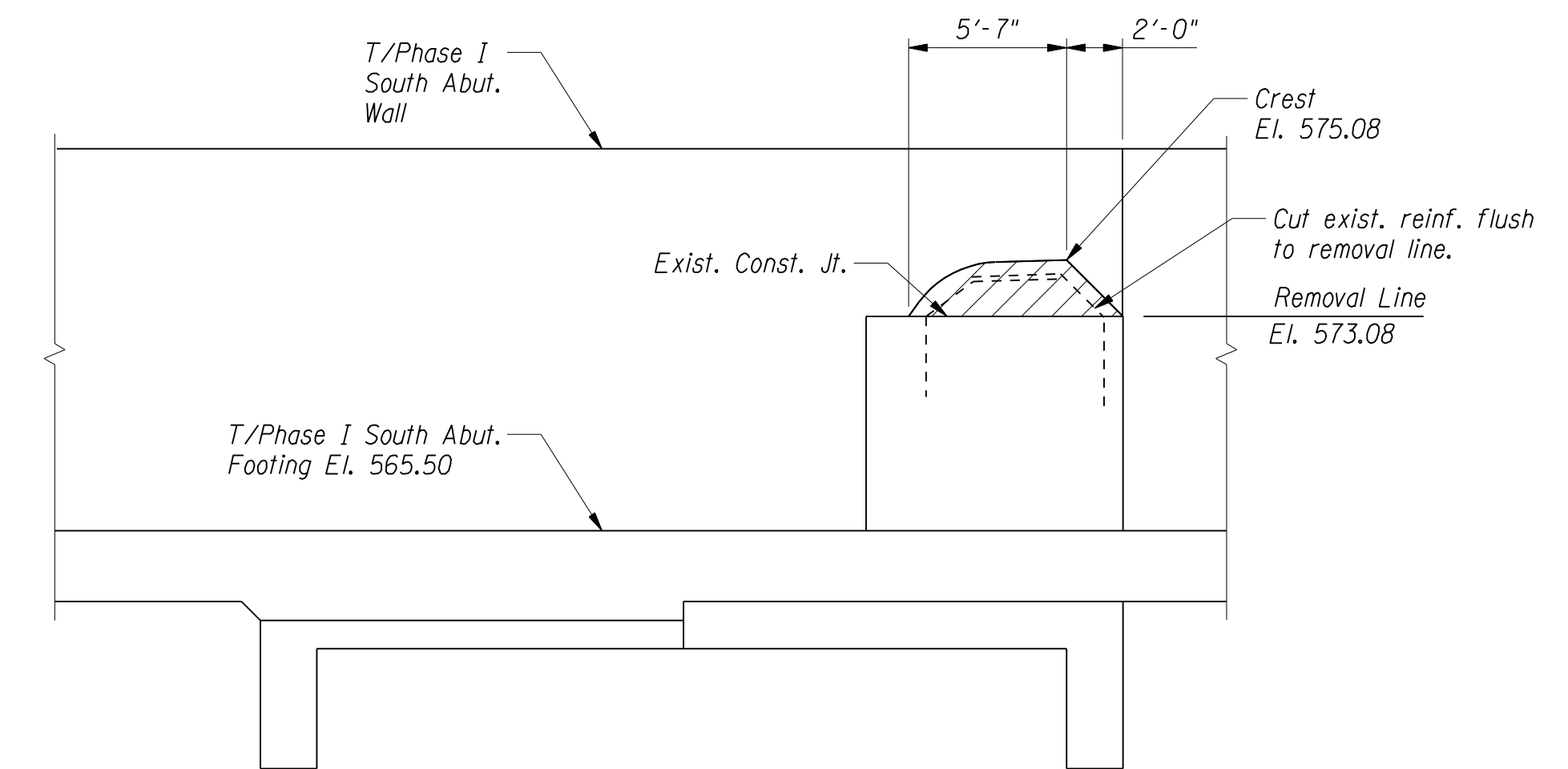
PLAN



ELEVATION



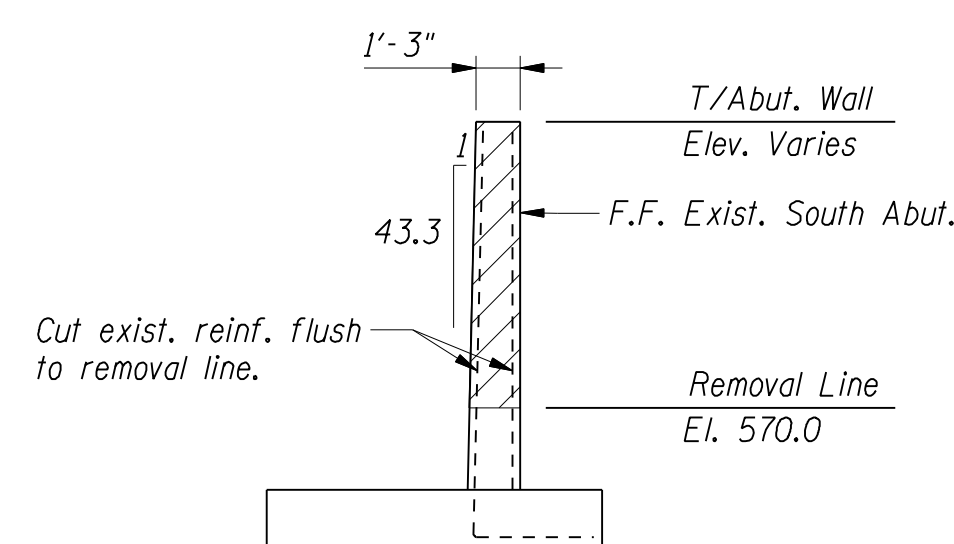
SECTION A-A



SECTION B-B

Legend:

- Concrete Removal
- Riprap Class A4 Special Removal
- Riprap Class A7 Special Removal
- Riprap for Stilling Basin Removal



SECTION C-C

Bill of Material

Item	Unit	Qty
Concrete Removal	Cu yd	283
Recorder Gage House Removal	L Sum	1
Stone Riprap Removal	Ton	341.8
Riprap for Stilling Basin Relocation	Ton	1361

Designed By: TKL
 Checked By: TCU
 Drawn By: JFG
 Checked By: TCU
 Date: 4/26/04 PM
 File: \\document\20240801\yorkville\plan\spillway\spillway.dgn