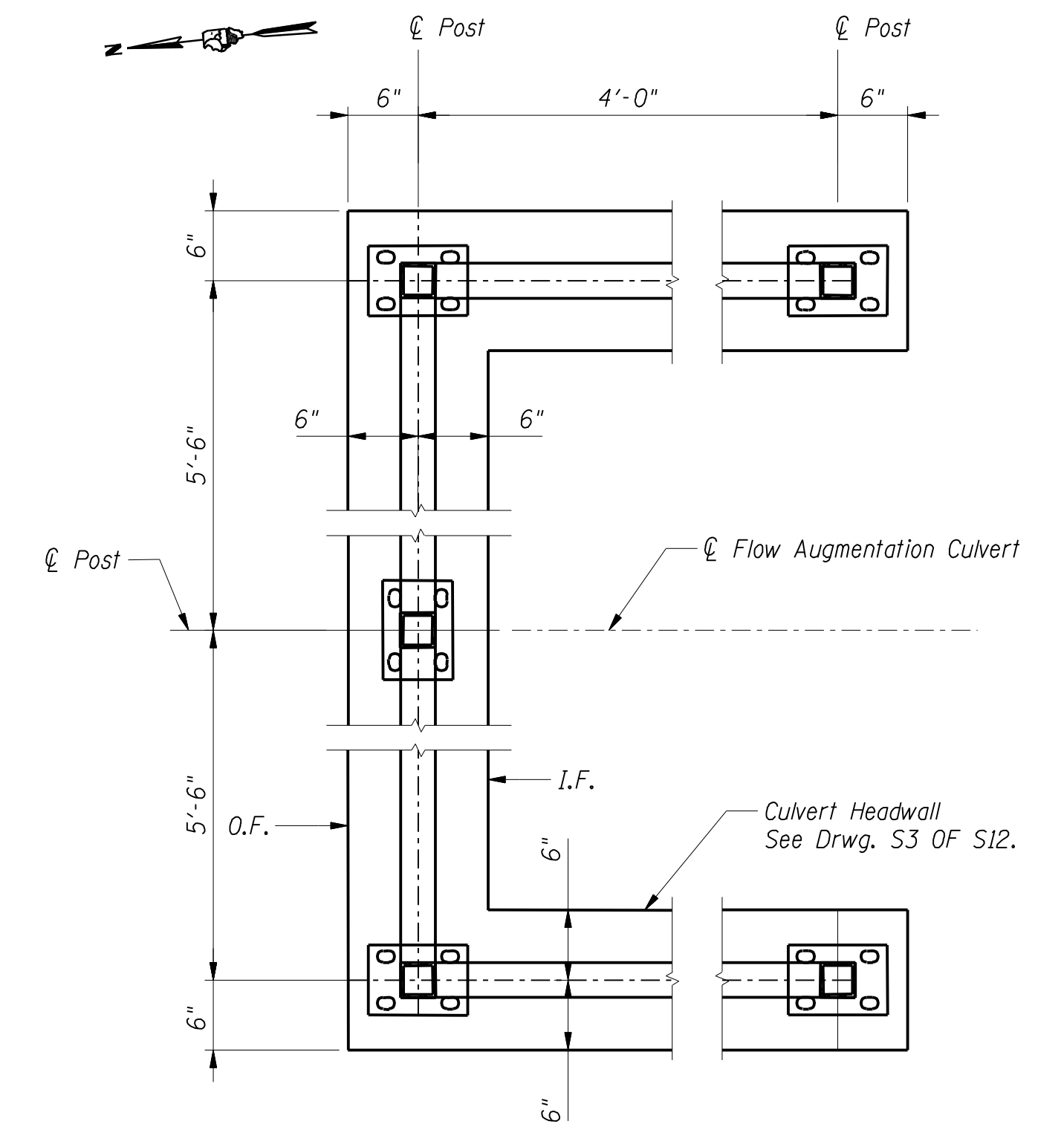
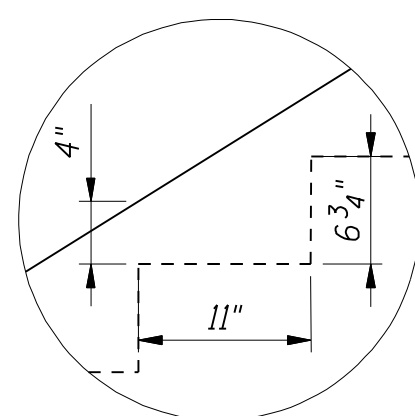


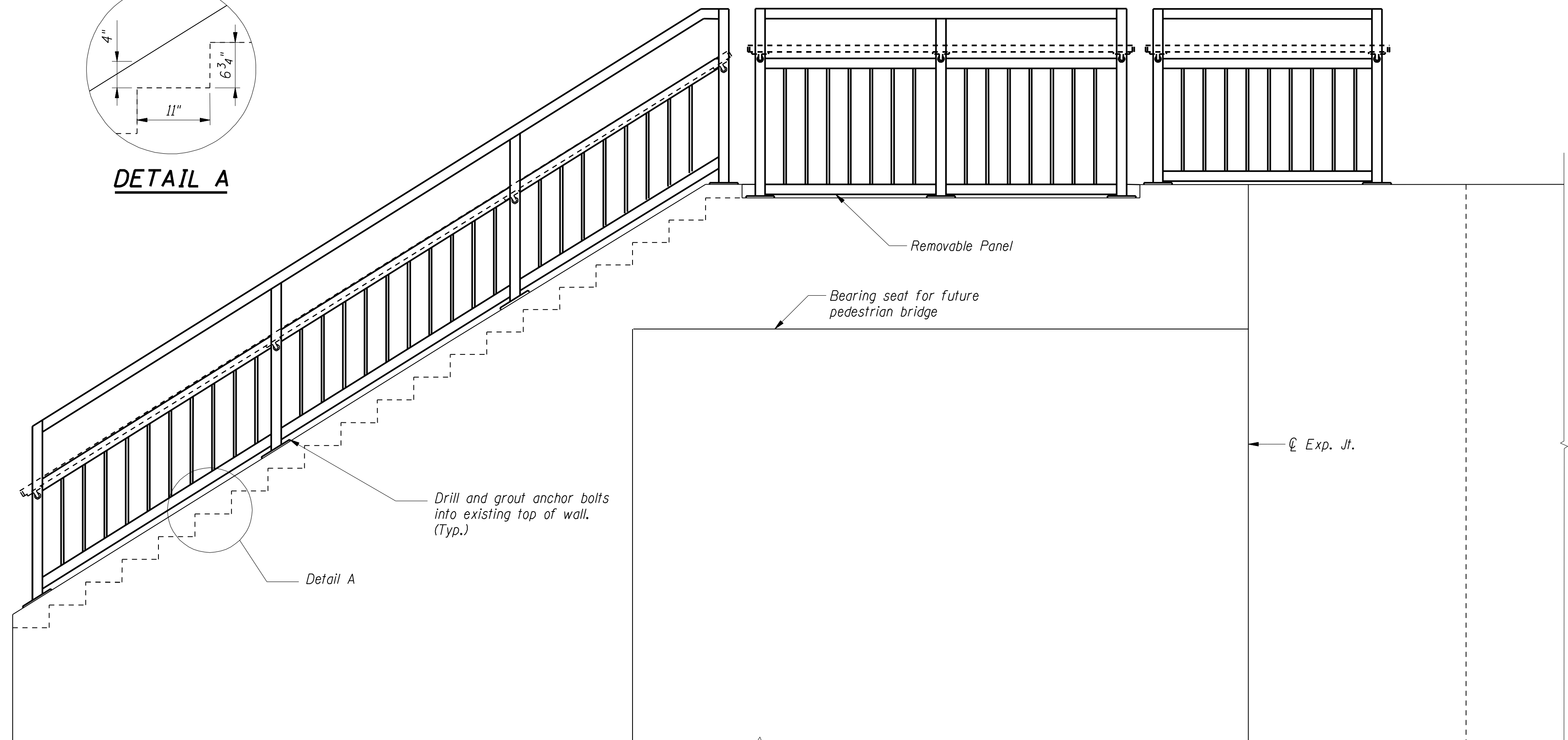
STAIR AND LANDING PLAN



FLOW AUGMENTATION CULVERT PLAN

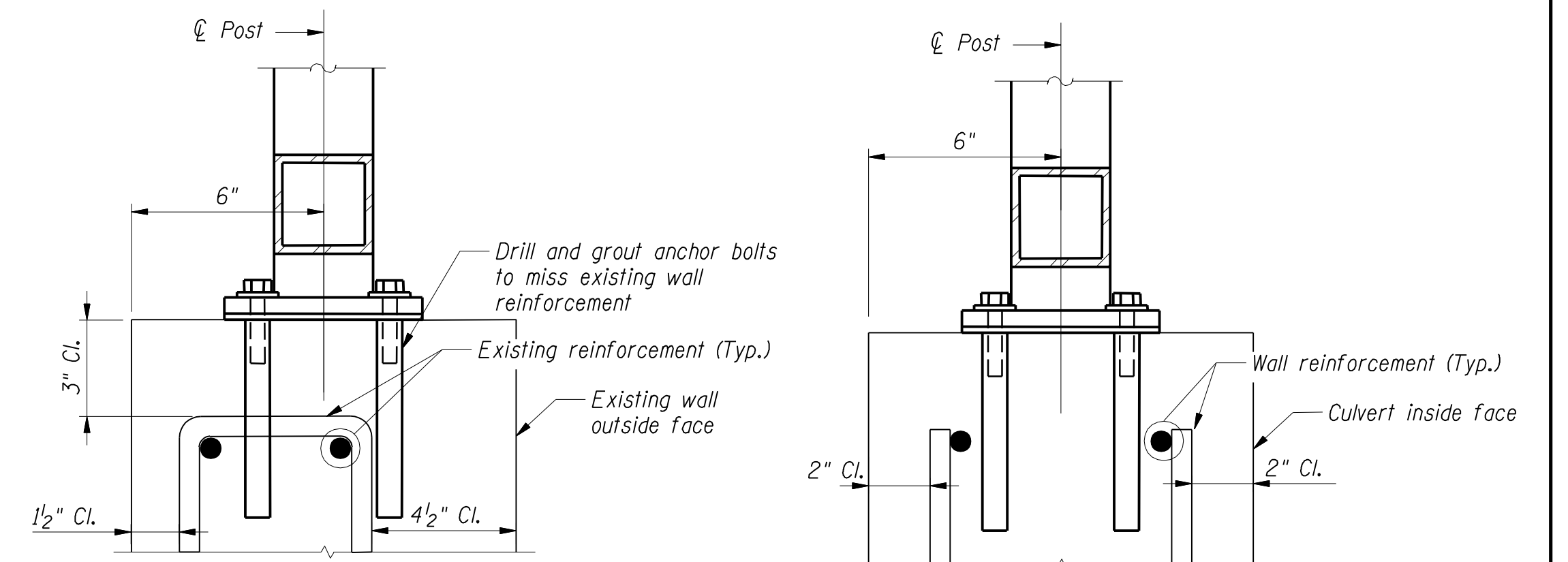


DETAIL A



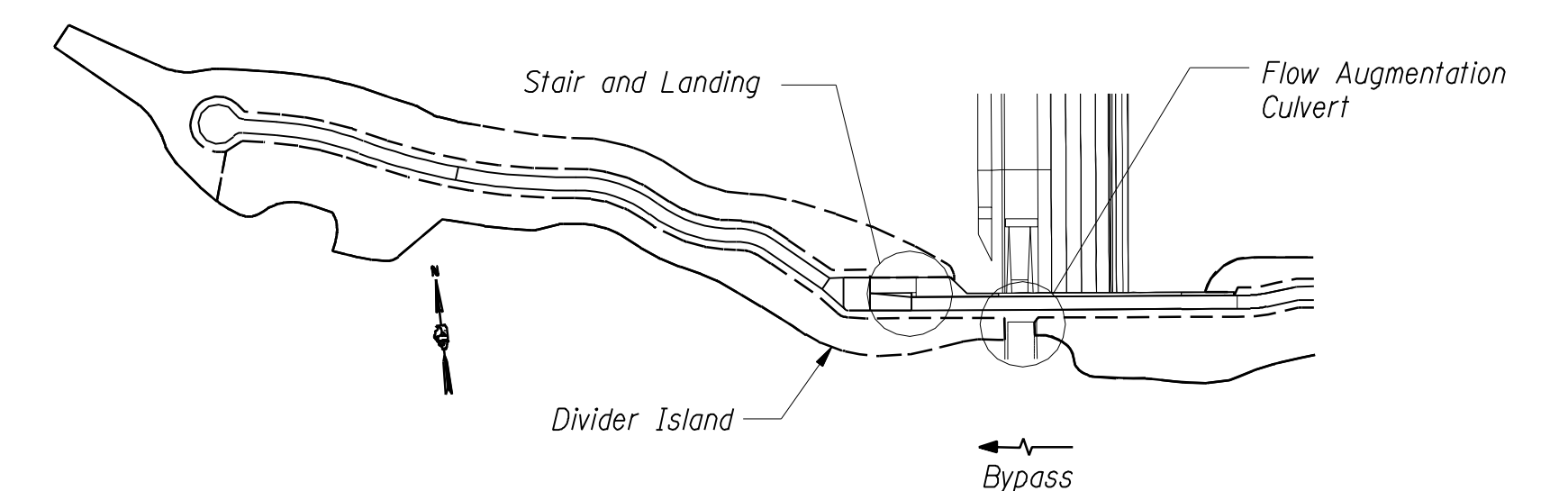
STAIR ELEVATION

Stairs and landing constructed during Phase I



STAIR CURB SECTION

CULVERT SECTION



KEY PLAN

Designed By TCU Checked By TKL
 Drawn By JER Checked By TCU
 Date 10/09/2007
 File \\document\102648501\project\plan\pedrailplan.dgn
 45638.TKL