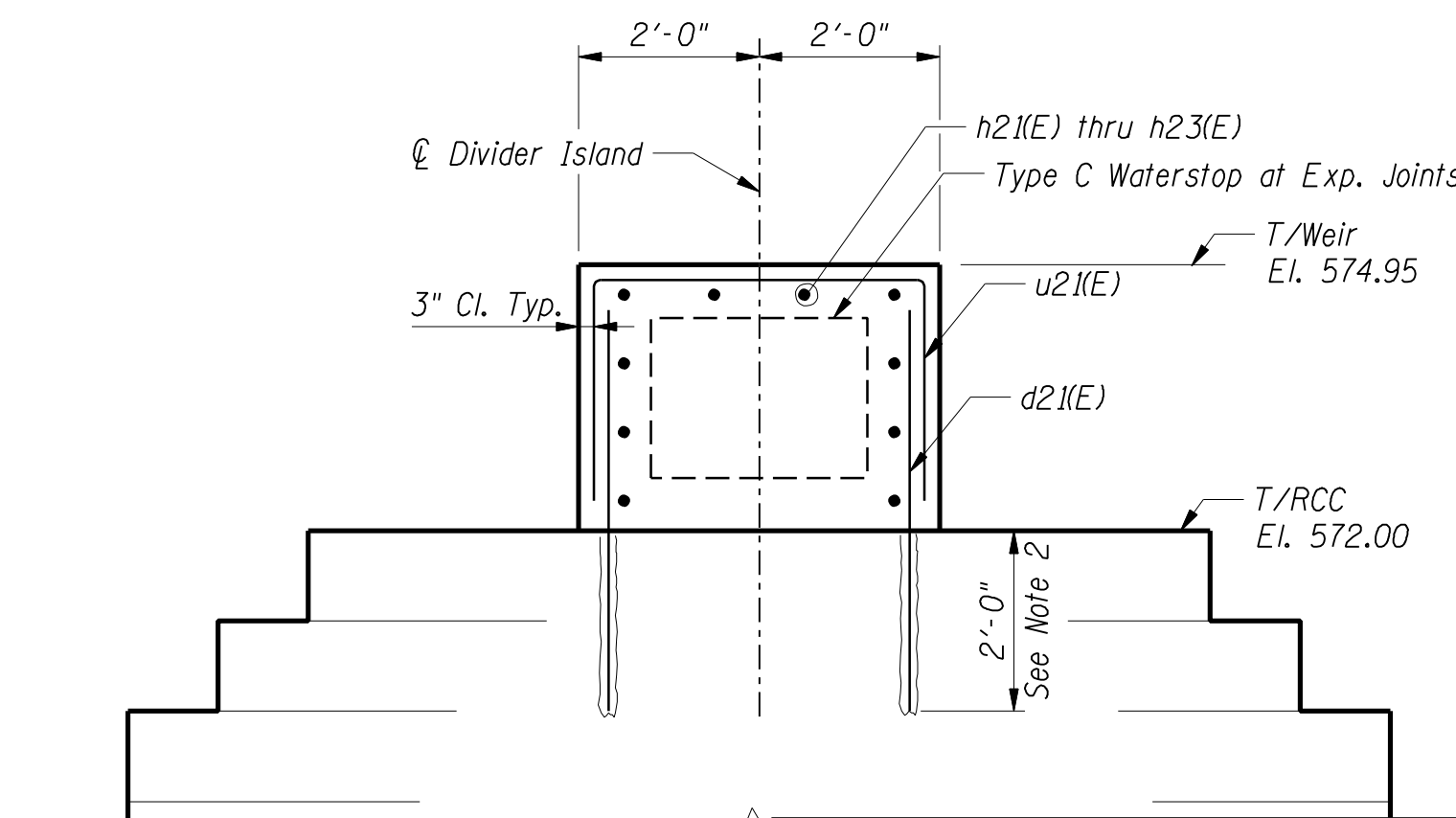
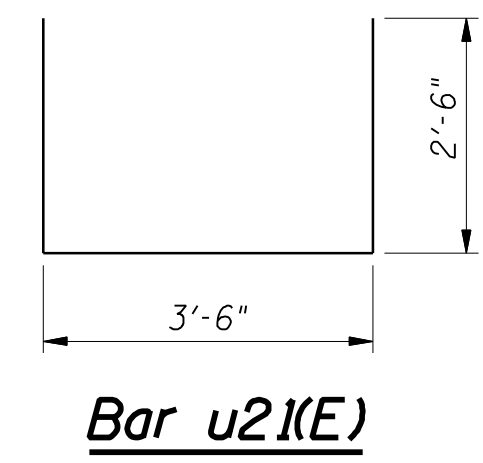
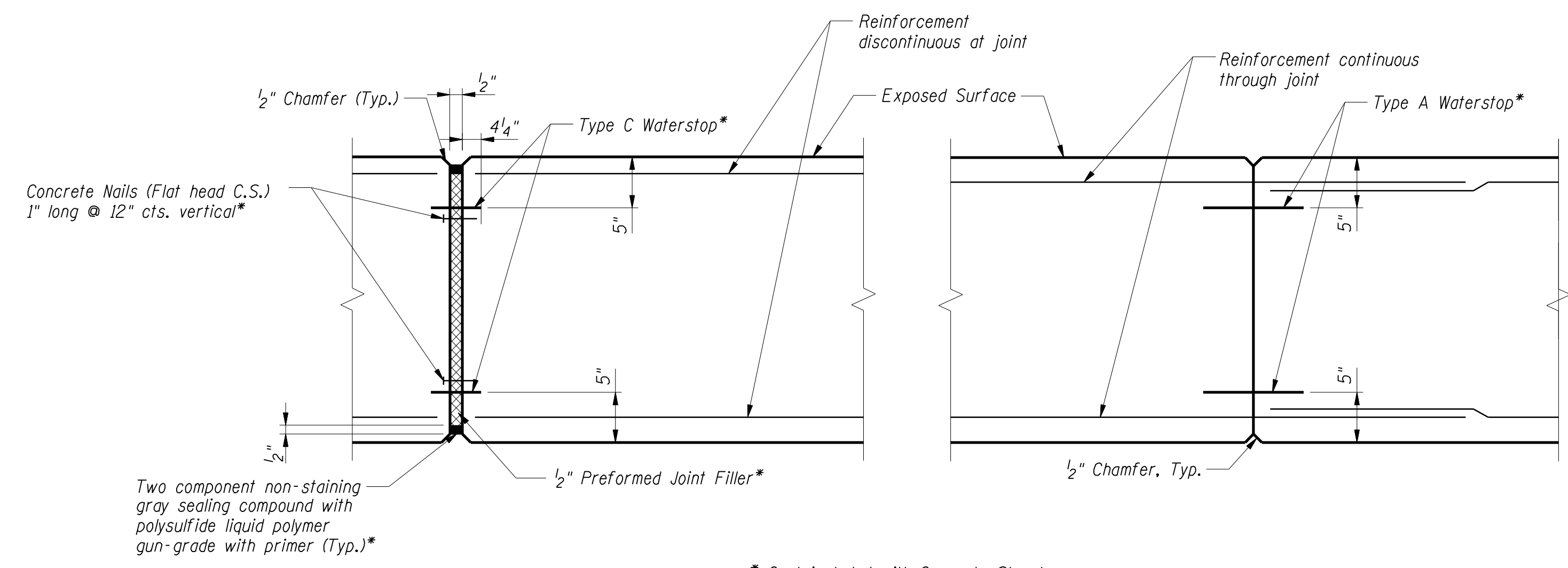


DEVELOPED ELEVATION

BAR LIST				
Bar	No.	Size	Length	Shape
h2(E)	70	#5	30'-0"	—
h22(E)	20	#5	16'-9"	—
h23(E)	10	#5	9'-0"	—
d2(E)	324	#5	4'-6"	—
u2(E)	162	#5	8'-6"	U



SECTION A-A



EXPANSION JOINT

CONSTRUCTION JOINT

Notes

1. Bars indicated thus 10x3 - #5 etc. indicates 10 lines of bars with 3 lengths per line.
2. Anchor Dowels to RCC using Cementitious Grout in accordance with Section 1024 of the Specifications. Cost included w/Concrete Structures.

BILL OF MATERIAL		
Item	Unit	Total
Concrete Structures	Cu yd	103
Reinforcement Bars, Epoxy Coated	lb	5,590

Described By: TCU Checked By: TKL
 Drawn By: JBR Checked By: TCU
 4:55:30 PM
 10/09/2007
 e:\document\02849801\yorkville\yorkville.dgn