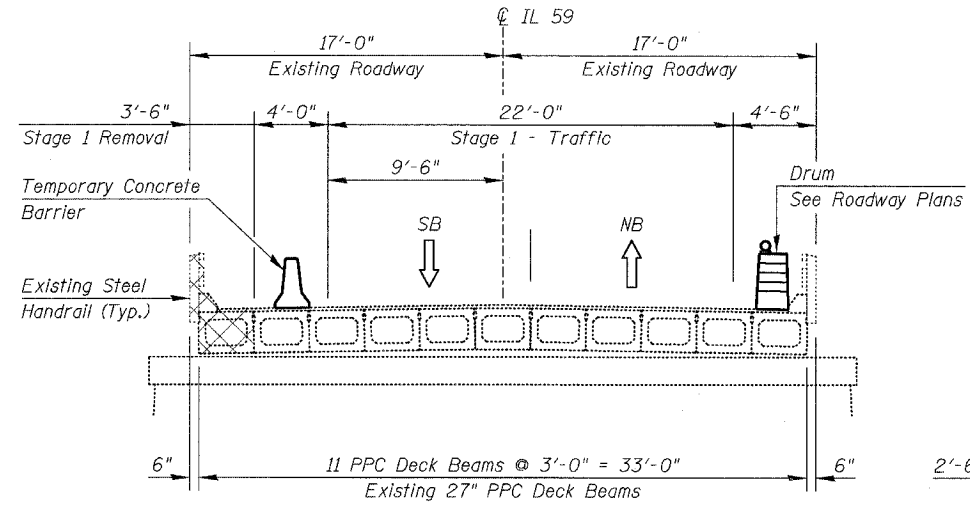
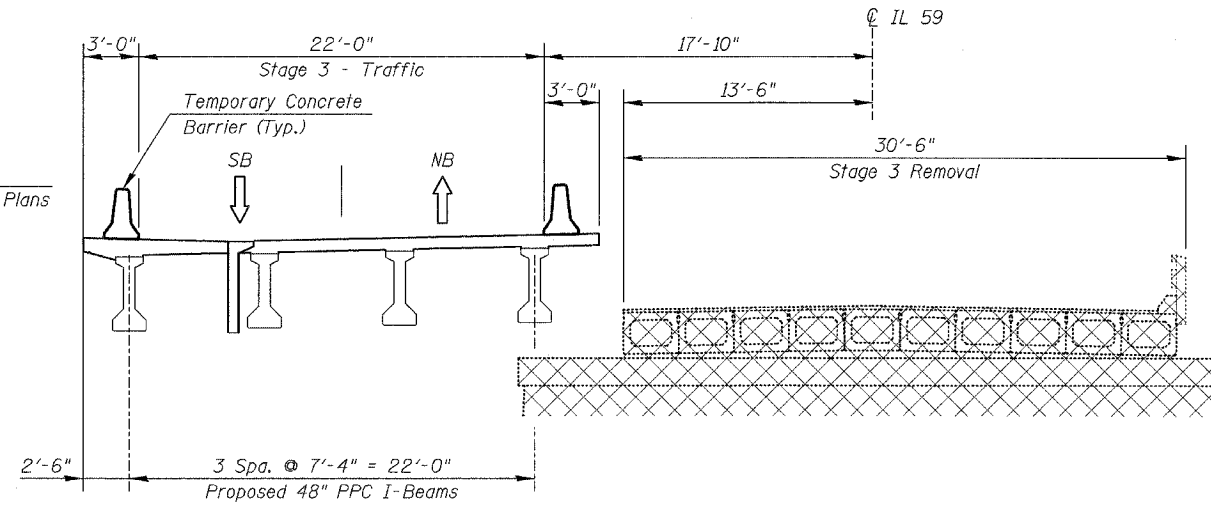


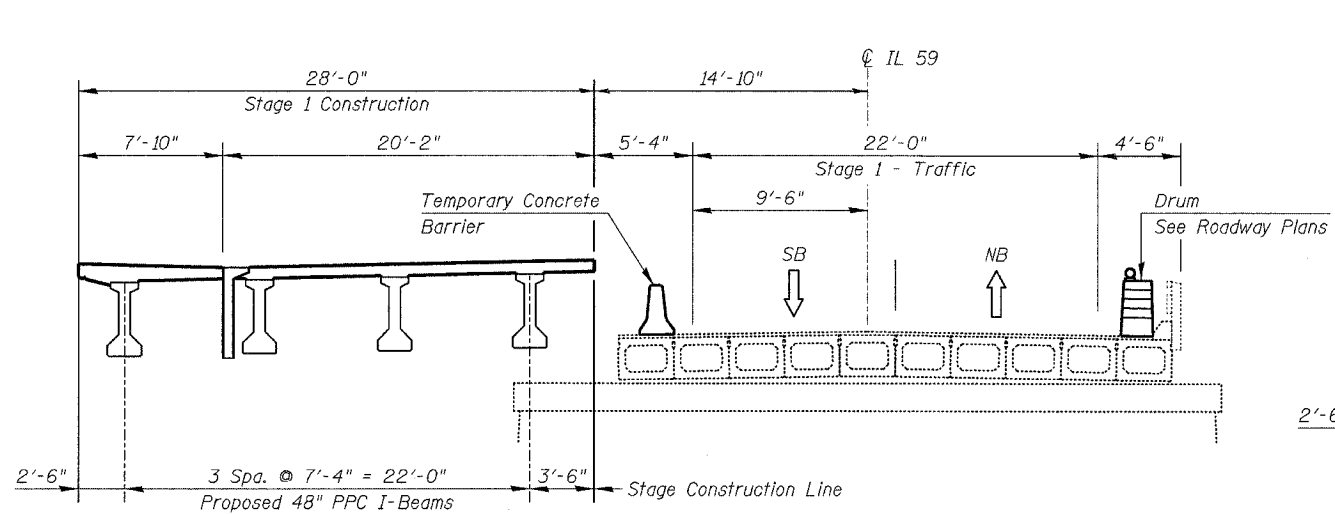
FAP NO.	SECTION	COUNTY	TOTAL SHEETS	SHEET NO.
338	114 BY-R-1	WILL	139	63
STA.	TO STA.			
FED. ROAD DIST. NO.	ILLINOIS	FED. AID PROJECT		



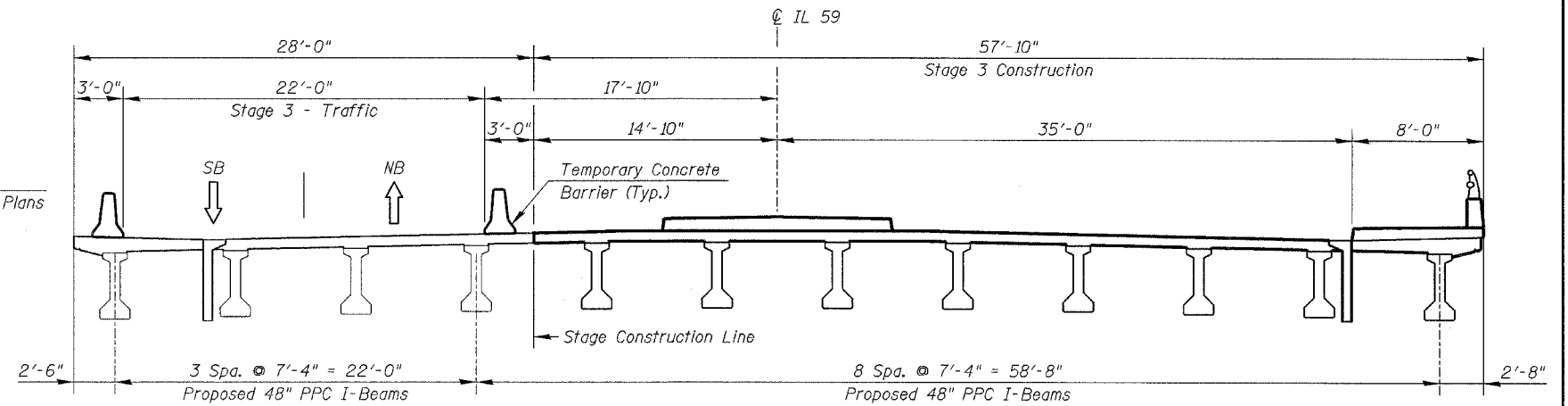
STAGE 1 - REMOVAL
(Existing Cross-Section)



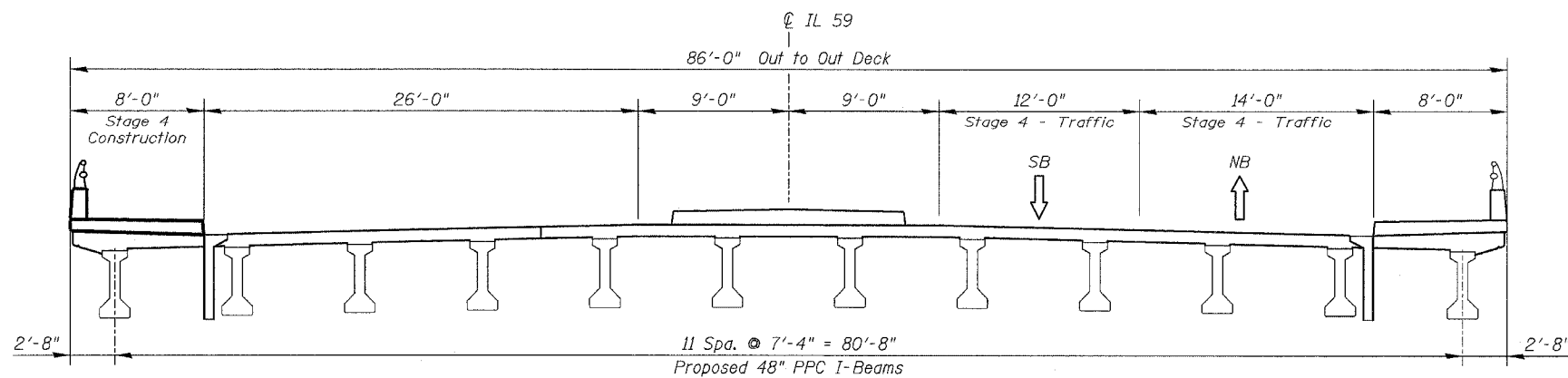
STAGE 3 - REMOVAL



STAGE 1 - CONSTRUCTION



STAGE 3 - CONSTRUCTION



STAGE 4 - CONSTRUCTION

Notes:

See Special Provisions for Removal of Existing Structures for additional removal plan and procedure requirements.

Staging details for Approach Spans are the same as shown for the Main Structure.

Stage Removal lines for the Superstructure do not apply to the Substructure. See DWG. S-23 thru S-27.

For Temporary Concrete Barrier, SEE DWG. S-05.

For quantity of Temporary Concrete Barrier, See Roadway Plans.

Plan dimensions and details relative to existing structure have been taken from existing plans and are subject to nominal construction variations. It shall be the Contractor's responsibility to verify such dimensions and details in the filed and make necessary approved adjustments prior to construction or ordering of materials. Such variations shall not be cause for additional compensation for a change in the scope of the work, however, the Contractor will be paid for the quantity actually furnished at the unit price bid for the work.

DWG. S-04 of 34

REVISIONS		ILLINOIS DEPARTMENT OF TRANSPORTATION STAGE CONSTRUCTION DETAILS ILLINOIS ROUTE 59 OVER DuPAGE RIVER FAP ROUTE 338 SECTION 114 BY-R-1 WILL COUNTY STATION 3209+85.00 STRUCTURE NUMBER 099-0339
NAME	DATE	
		SCALE: NONE
		DESIGNED BY: TB
		DRAWN BY: TB
		CHECKED BY: WPM
		CHECKED BY: WPM