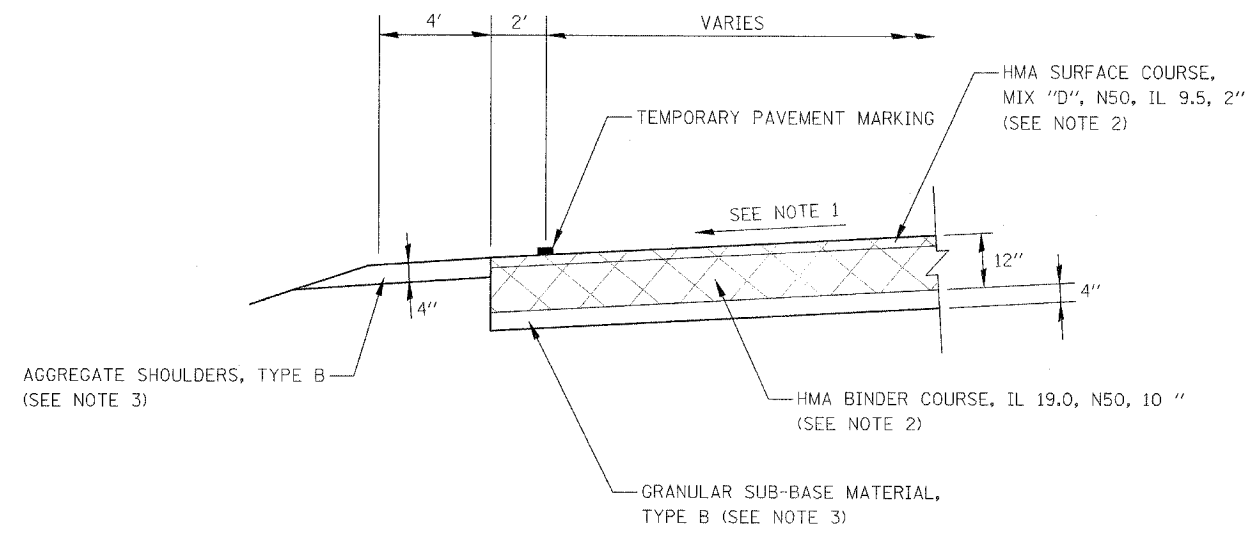


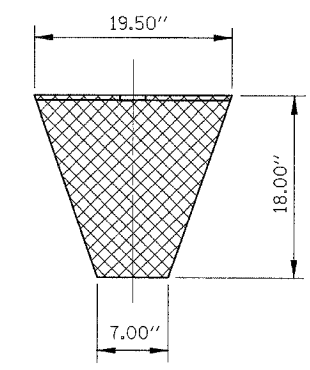
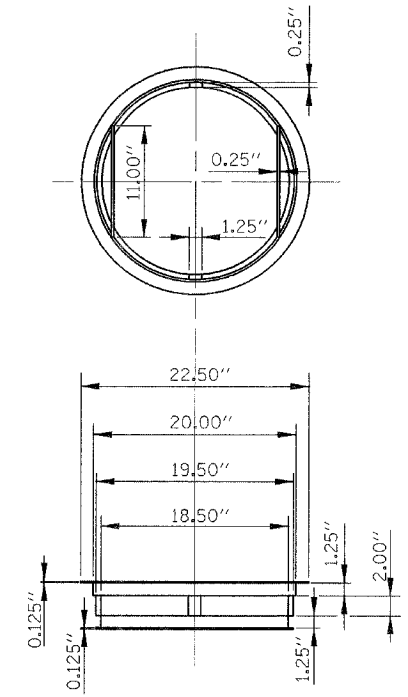
FED. AID DIST. NO.	SECTION	COUNTY	TOTAL SHEETS	SHEET NO.
338	114 BY-R-1	WILL	139	102
STA.		TO STA.		
FED. ROAD DIST. NO.		ILLINOIS		
		FAP 338 (IL RTE. 59)		



**NOTES:**

- CROSS SLOPE OF TEMPORY PAVEMENT SHALL MATCH THE CROSS SLOPE OF THE ADJACENT EXISTING OR PROPOSED PAVEMENT, UNLESS OTHERWISE DIRECTED BY THE ENGINEER.
- THE COST OF HMA SURFACE COURSE, MIX "D", N50, IL 9.5 AND HMA BINDER COURSE, IL 19.0, N50 SHALL BE PAID FOR AT THE UNIT PRICE FOR "TEMPORARY PAVEMENT".
- GRANULAR SUB-BASE MATERIAL, TYPE B AND AGGREGATE SHOULDERS, TYPE B SHALL BE PAID FOR SEPERATELY.

TEMPORARY PAVEMENT



**NOTES:**

**FRAME:**  
 TOP RING CONSTRUCTED FROM 1-1/4" X 1-1/4" X 1/8" ANGLE.  
 BASE RING CONSTRUCTED FROM 1-1/2" X 1/2" X 1/8" CHANNEL.  
 HANDLES & SUSPENSION BRACKETS CONSTRUCTED FROM 1/4" X 1-1/4" FLAT.  
 ALL STEEL SHALL CONFORM TO ASTM-A36.

**REPLACEABLE BAG:**  
 CONSTRUCTED FROM 4 OZ. / SQ. YD. NON-WOVEN POLYPROPYLENE GEOTEXTILE REINFORCED WITH POLYESTER MESH. CONNECTED TO BASE RING WITH STAINLESS STEEL STRAP AND LOCK.

INLET FILTERS

ILLINOIS DEPARTMENT OF TRANSPORTATION  
 DISTRICT NO. 1 SCHAUMBURG

DETAILS

SCALE NONE  
 DATE AUGUST 17, 2007  
 DRAWN BY BSB  
 CHECKED BY JCM