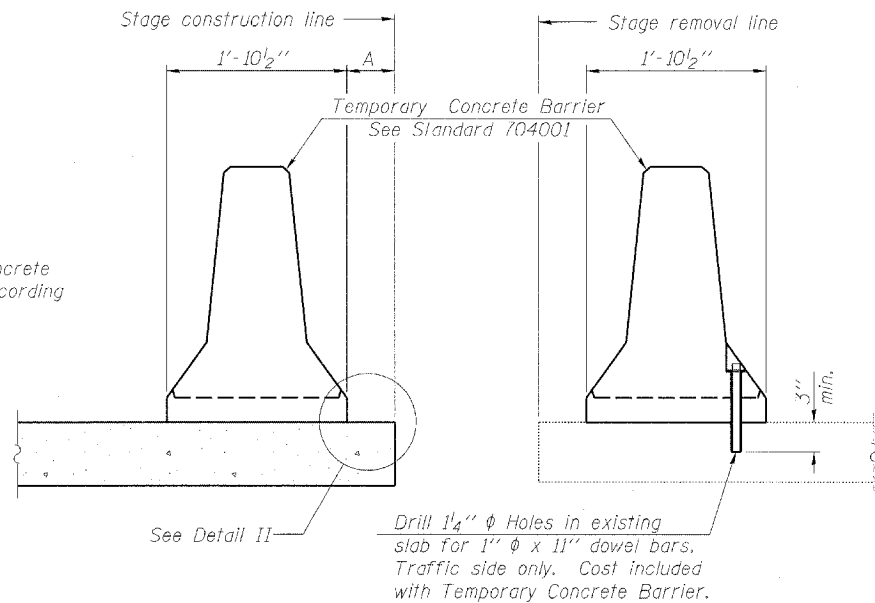


STATE OF ILLINOIS
DEPARTMENT OF TRANSPORTATION

ROUTE NO.	SECTION	COUNTY	TOTAL SHEETS	SHEET NO.	SHEET NO. 4
FAP 370	01031-2	COOK	27	12	10 SHEETS
FED. ROAD DIST. NO. 7	ILLINOIS	FED. AID PROJECT			

Contract # 62362



When "A" is 3'-6" or less, the temporary concrete barrier shall be anchored to the new slab according to Detail II. No anchorage is required when "A" is greater than 3'-6".

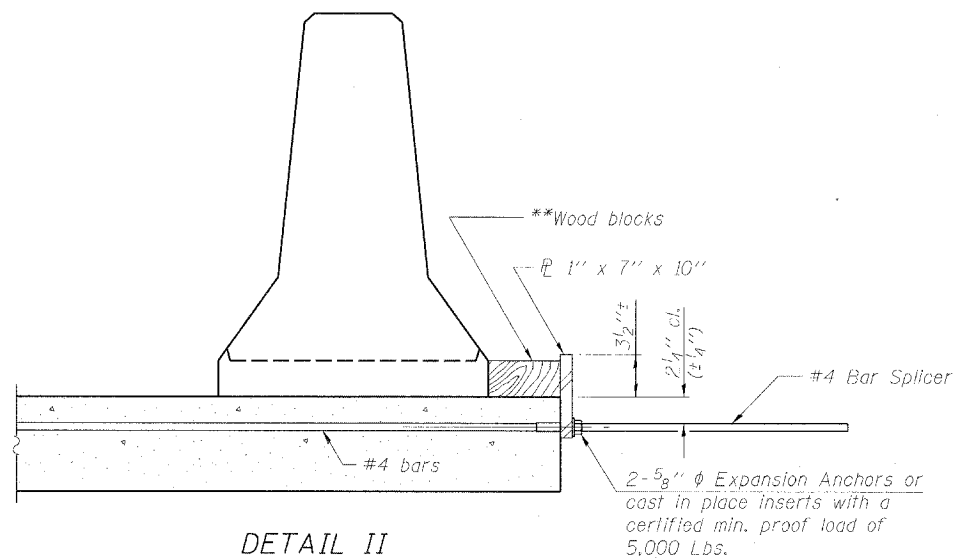
NOTES

Cost of anchorage is included with Temporary Concrete Barrier.
The 1" x 7" x 10" plate shall not be removed until stage II construction forms and all reinforcement bars are in place and the concrete is ready to be placed.

NEW SLAB

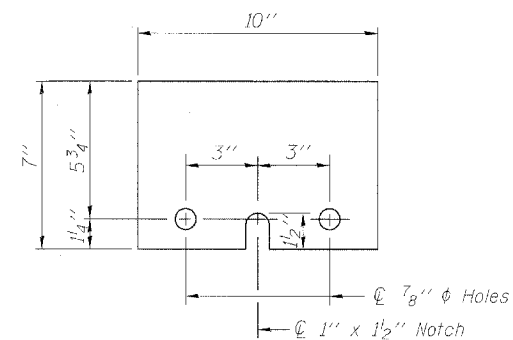
EXISTING SLAB

SECTIONS THRU SLAB



DETAIL II

** Wood blocks may be omitted when required to provide minimum stage traffic lane width. When the wood blocks are omitted, the concrete barrier shall be in direct contact with the steel retainer plate.



STEEL RETAINER 1" x 7" x 10"

(Plate may be centered on bar splicer or located between bar splicers)

DESIGNED
CHECKED
DRAWN
CHECKED

R-27

11-1-06

TEMPORARY CONCRETE BARRIER
GREGORY STREET
OVER VERMONT STREET
SECTION 01031-2
COOK COUNTY
STRUCTURE NO. 016-0776
STATION 42+37.22



GRAEF, ANHALT, SCHLOEMER & ASSOCIATES, INC.
CONSULTING ENGINEERS AND LAND SURVEYORS
8501 W. Higgins Road, Suite 280
Chicago, Illinois 60631
(773) 399-0112