

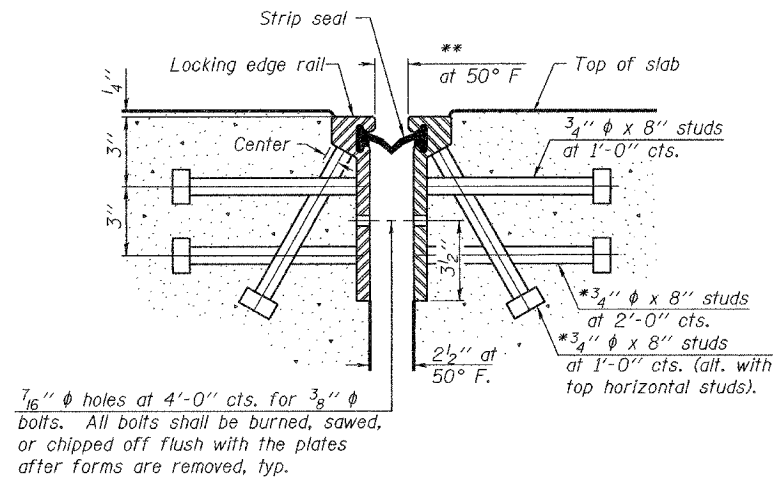
STATE OF ILLINOIS
DEPARTMENT OF TRANSPORTATION

ROUTE NO.	SECTION	COUNTY	TOTAL SHEETS	SHEET NO.
F.A.P. 595	5HBR	Rock Island	139	67
FED. ROAD DIST. NO. 7	BILLINGS	FED. AID PROJECT		

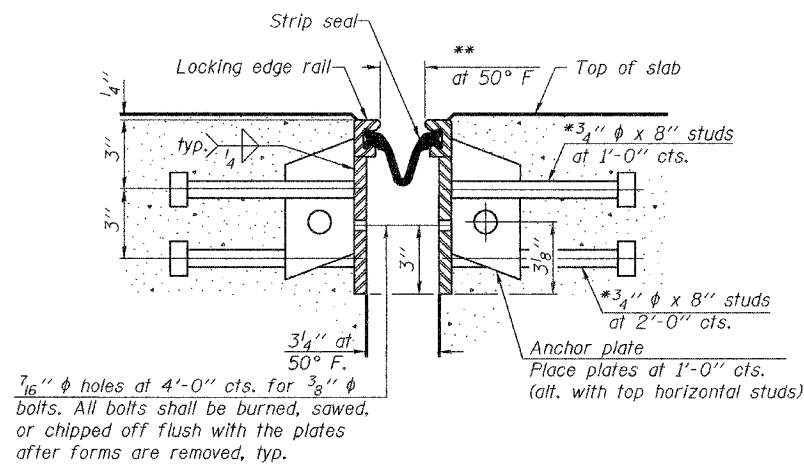
SHEET NO. 17
33 SHEETS

Contract #64931

*Granular or solid flux filled headed studs conforming to Article 1006.32 of the Std. Specs., automatically end welded.
**When joint is fixed, dimension is set at 1 1/2".



SECTION THRU
ROLLED RAIL JOINT



SECTION THRU
WELDED RAIL JOINT

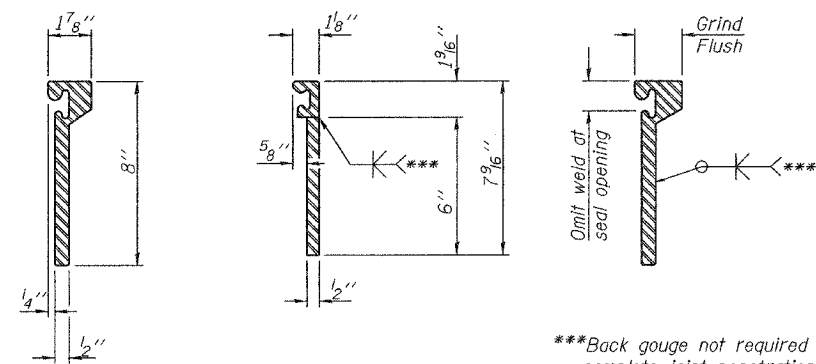
Notes:

The strip seal shall be made continuous and shall have a minimum thickness of 1/4". The configuration of the strip seal shall match the configuration of the Locking Edge Rails. Open or "webbed" strip seal gland configurations are not permitted. The gland shall be sized for a maximum rated movement of 4 inches.

The height and thickness of the Locking Edge Rails shown are minimum dimensions. The actual configuration of the Locking Edge Rails and matching strip seal may vary from manufacturer to manufacturer. Flanged edge rails will not be allowed. Locking Edge Rails may be spliced at slope discontinuities and stage construction joints.

The manufacturer's recommended installation methods shall be followed. The joint opening and deck dimensions detailed on the superstructure are based on a rolled rail expansion joint. If the Contractor elects to use the welded rail expansion joint, the opening and deck dimensions shall be modified according to the dimensions detailed on this sheet. Required modifications shall be made at no additional cost to the State.

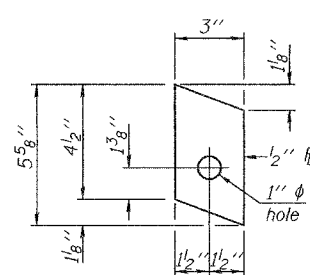
All steel components shall be galvanized after fabrication according to Article 520.03 of the Standard Specifications.



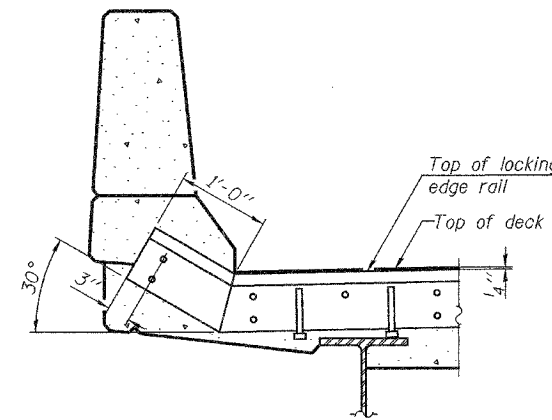
ROLLED
(EXTRUDED) RAIL WELDED RAIL

LOCKING EDGE
RAIL SPLICE

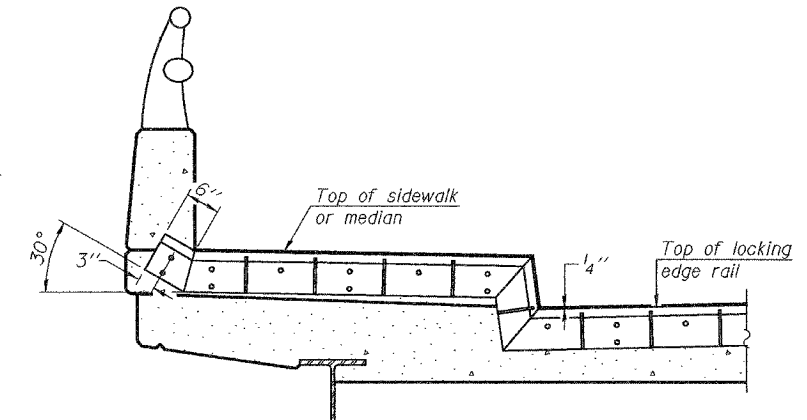
The inside of the locking edge rail groove shall be free of weld residue.



ANCHOR PLATE
(for welded rail)



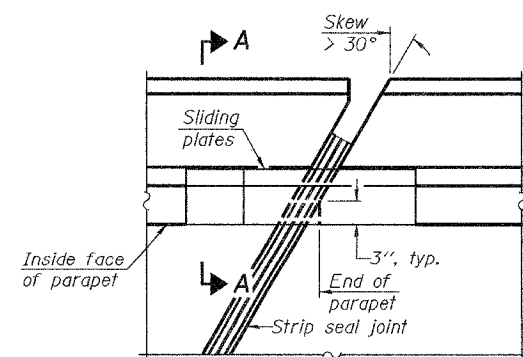
AT PARAPET



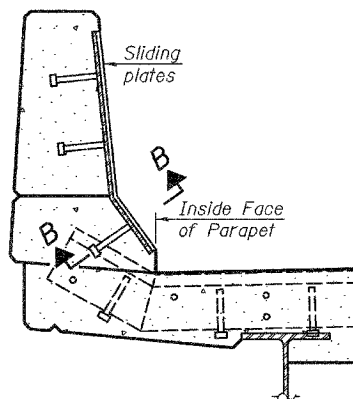
AT SIDEWALK OR MEDIAN

Shorter plates with a single row of studs at 12" cts. may be necessary on medians which are shallower than 9". See manufacturer's recommendation.

LOCKING EDGE RAILS



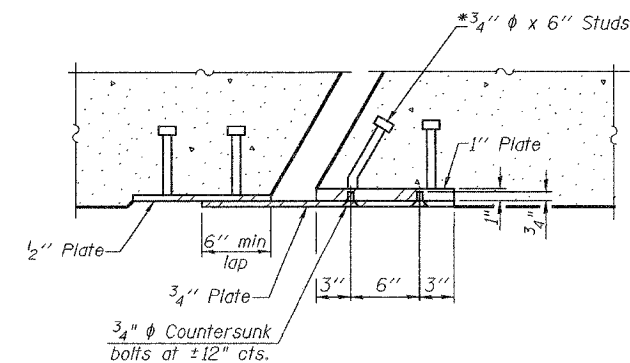
PLAN



SECTION A-A

POINT BLOCK DETAILS
(for skews > 30°)

TYPICAL END TREATMENTS



SECTION B-B

BILL OF MATERIAL

Item	Unit	Total
Preformed Joint Strip Seal	Foot	214

STRIP SEAL EXPANSION JOINT
IL. RTE. 5 OVER IL. RTE. 84
F.A.P. RTE. 595 - SECTION 5HBR
ROCK ISLAND COUNTY
STATION 623+65.69
S.N. 081-0169

DESIGNED	Dewey H. Coultas
CHECKED	Chad E. Hodel
DRAWN	W.D. Collins
CHECKED	D.H.C./C.E.H.

October 5, 2007	
EXAMINED	Thomas J. Demagali ENGINEER OF BRIDGE DESIGN
PASSED	Ralph E. Anderson ENGINEER OF BRIDGES AND STRUCTURES

EJ-SSJ 9-3-07