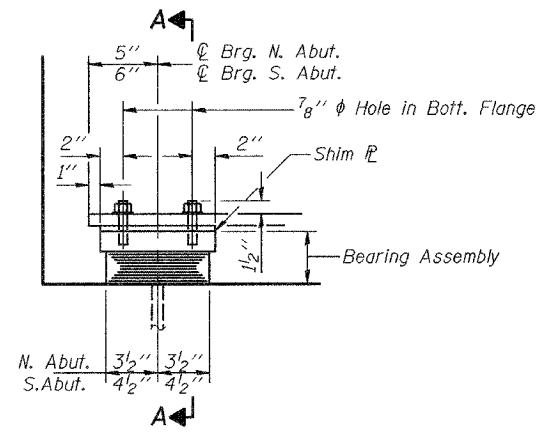


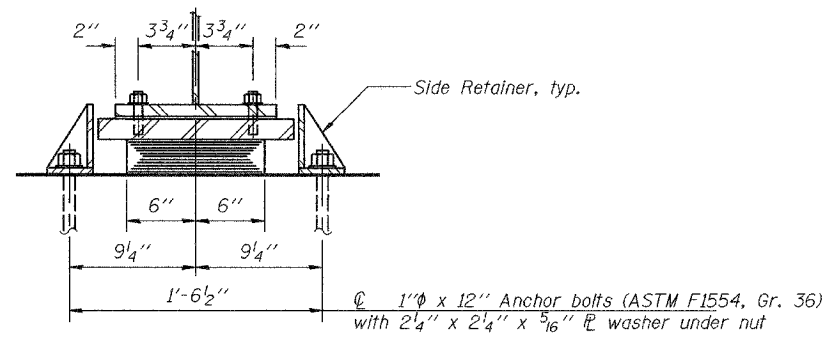
STATE OF ILLINOIS
DEPARTMENT OF TRANSPORTATION

ROUTE NO.	SECTION	COUNTY	TOTAL SHEETS	SHEET NO.
F.A.P. 595	5HBR	Rock Island	139	72
FED. ROAD DIST. NO. 7	ILLINOIS	FED. AID PROJECT		

SHEET NO. 22
33 SHEETS
Contract #64931

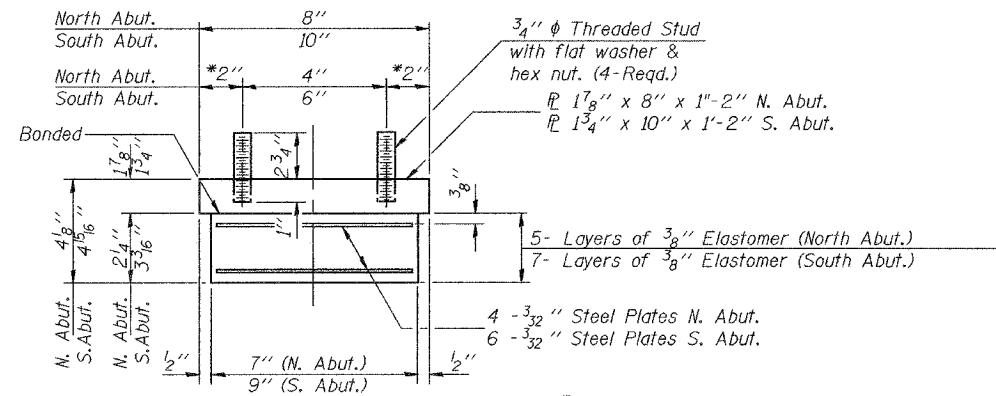


ELEVATION AT ABUT.



SECTION A-A

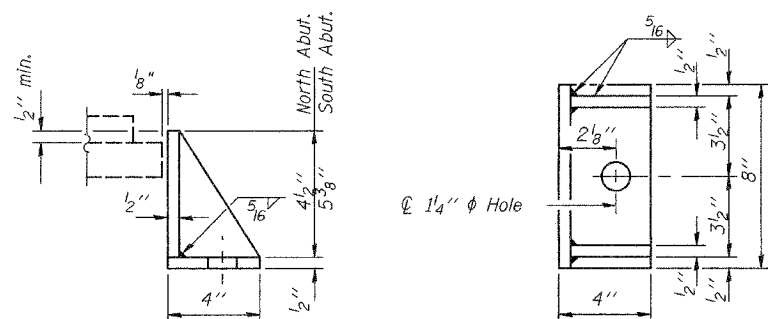
TYPE I ELASTOMERIC EXP. BRG. AT ABUTMENTS



BEARING ASSEMBLY

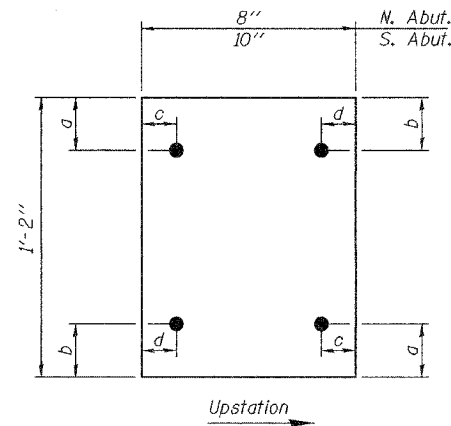
*Beams 3-13 only. See Detail this sheet for other beams.

Note:
Shim plates shall not be placed under Bearing Assembly.



SIDE RETAINER

Equivalent rolled angle with stiffeners will be allowed in lieu of welded plates.

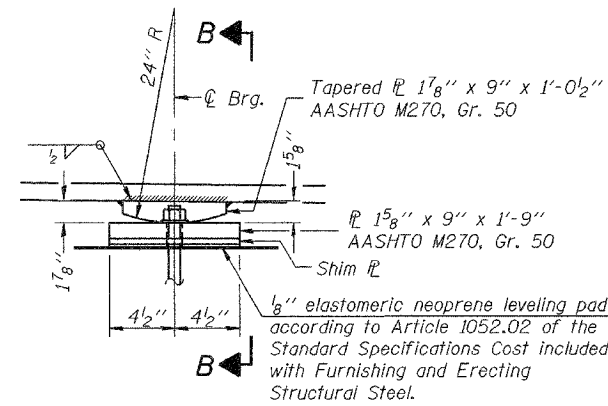


TOP BEARING PLATE DETAIL

LOCATION	a	b	c	d
Beam 1 North Abut.	3 1/8"	3 3/8"	2 3/16"	1 13/16"
Beam 2 North Abut.	3 3/16"	3 5/16"	2 1/8"	1 7/8"
Beam 14 North Abut.	3 5/16"	3 3/16"	1 5/16"	2 1/16"
Beam 1 South Abut.	3 1/16"	3 7/16"	2 3/16"	1 13/16"
Beam 2 South Abut.	3 3/16"	3 5/16"	2 1/8"	1 7/8"
Beam 14 South Abut.	3 5/16"	3 3/16"	1 5/16"	2 1/16"
Beam 3-13, typ.	3 1/4"	3 1/4"	2"	2"

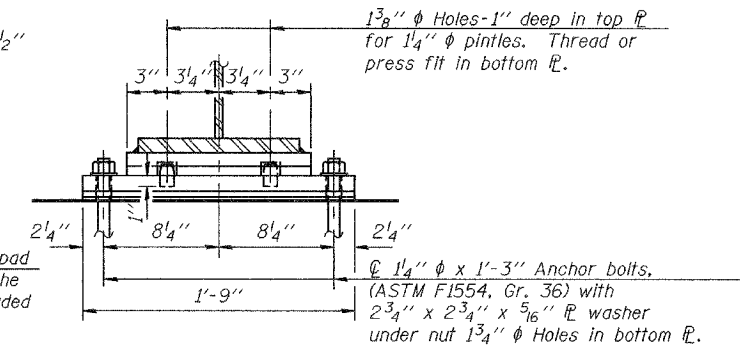
TOP BEARING PLATE STUD LAYOUT

Note: All 7/8" ϕ holes in bottom flange for bearing studs are orthogonal to the beam.

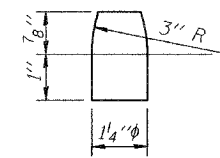


ELEVATION AT PIER
(Looking West)

FIXED BEARING AT PIER



SECTION B-B



PINTLE
(M270, Grade 50)

TABLE OF SHIM PLATES (inches)			
BEAM	S. ABUT.	PIER	N. ABUT.
1	-	-	-
2	7/16	5/16	1/4
3	-	5/8	3/8
4	7/16	-	-
5	7/16	-	-
6	7/16	-	-
7	7/16	-	-
8	-	-	-
9	-	-	-
10	-	-	-
11	-	-	-
12	-	-	-
13	-	-	-
14	-	-	-

BILL OF MATERIAL

Item	Unit	Total
Elastomeric Bearing Assembly Type I	Each	28
Anchor Bolts 1" ϕ	Each	56
Anchor Bolts 1 1/4" ϕ	Each	28

BEARING DETAILS

IL. RTE. 5 OVER IL. RTE. 84
F.A.P. RTE. 595 - SECTION 5HBR
ROCK ISLAND COUNTY
STATION 623+65.69
S.N. 081-0169

DESIGNED	Dewey H. Coultas
CHECKED	Chad E. Hodel
DRAWN	W.D. Collins
CHECKED	D.H.C./C.E.H.

EXAMINED	October 5, 2007 Thomas J. Donagabbi ENGINEER OF BRIDGE DESIGN
PASSED	Ralph E. Anderson ENGINEER OF BRIDGES AND STRUCTURES

I-2-E1

10-22-04

Notes:
Anchor bolts shall be ASTM F1554 all-thread (or an Engineer-approved alternate material of the grade(s) and diameter(s) specified. ASTM A307 Grade C anchor bolts may be used in lieu of ASTM F1554 Grade 36 (Fy=36ksi). The corresponding specified grade of AASHTO M314 anchor bolts may be used in lieu of ASTM F1554.
Anchor bolts at fixed bearings may be either cast in place or installed in holes drilled after the supported member is in place.
Anchor bolts for side retainers may be cast in place or installed in holes drilled before or after members are in place.

Drilled and set anchor bolts shall be installed according to Article 521.06 of the Standard Specifications.
Side retainers and other steel members required for the bearing assembly shall be included in the cost of Elastomeric Bearing Assembly, Type I.

The structural steel plates of the Bearing Assembly shall conform to the requirements of AASHTO M 270 Grade 50. Two 1/8 in. adjusting shims shall be provided for each bearing in addition to all other plates or shims and placed as shown on bearing details.