

STATE OF ILLINOIS
DEPARTMENT OF TRANSPORTATION

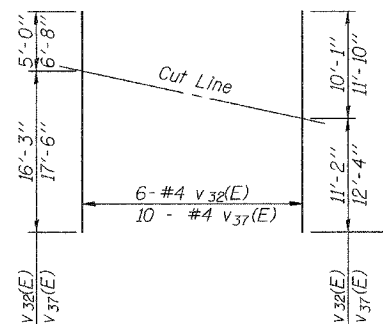
ROUTE NO. F.A.P. 595	SECTION 5HBR	COUNTY Rock Island	SHEET 139	SHEET 77	SHEET NO. 27 33 SHEETS
FED. ROAD DIST. NO. 7		ILLINOIS		FED. AID PROJECT-	

Contract #64931

BILL OF MATERIAL

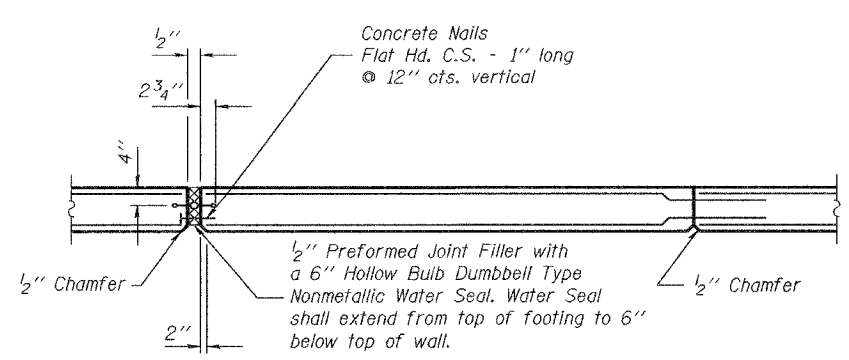
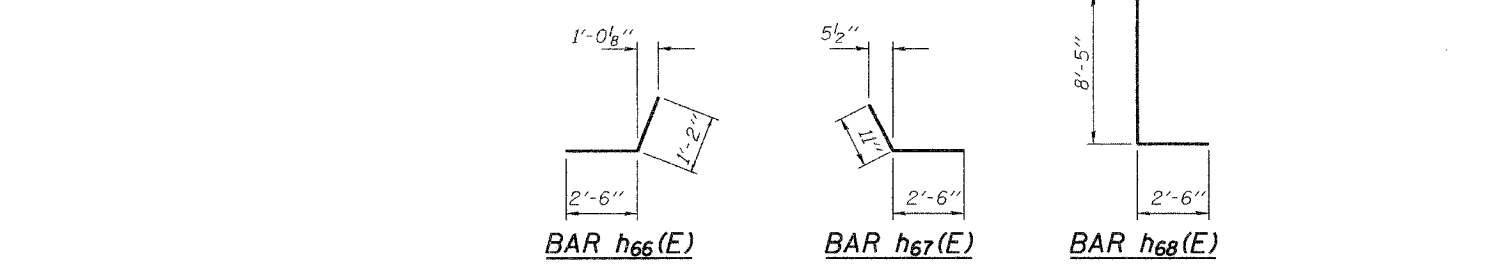
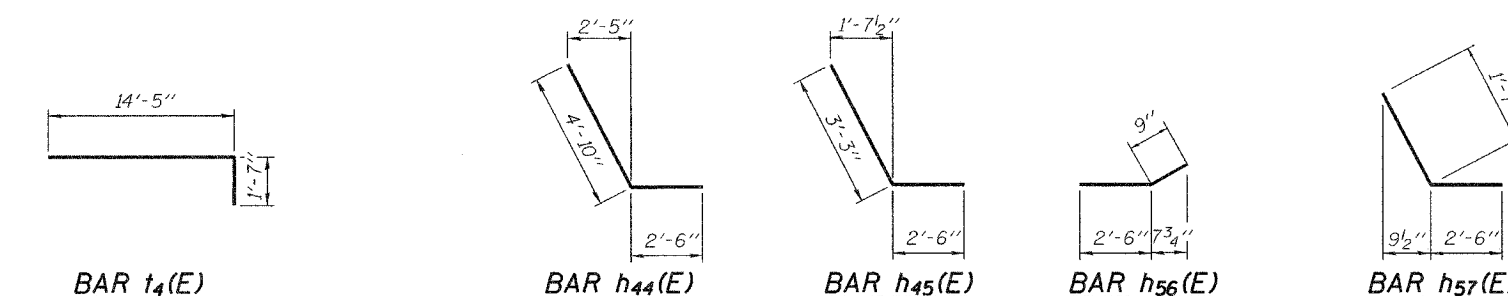
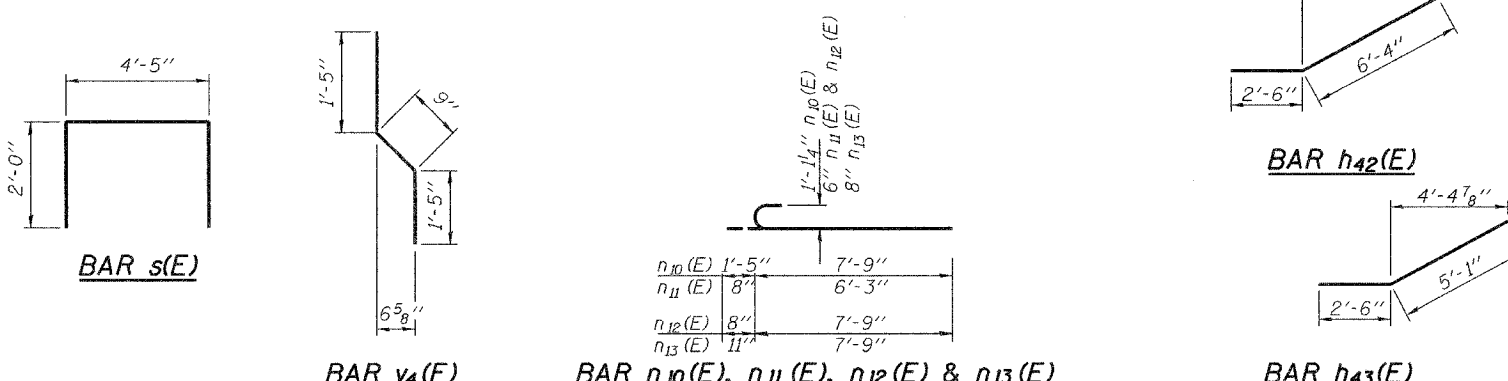
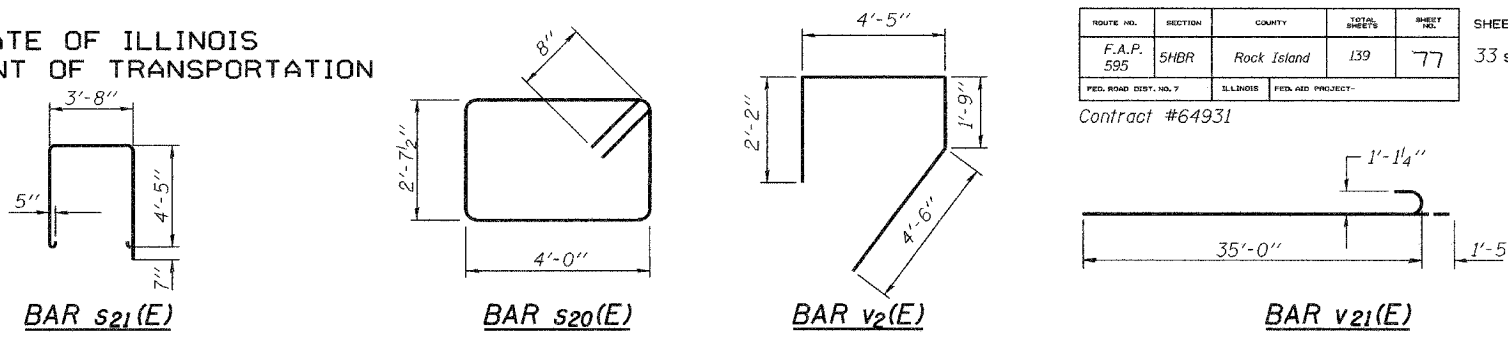
Bar	No.	Size	Length	Shape
h ₄₀ (E)	62	#5	28'-9"	
h ₄₁ (E)	56	#5	29'-5"	
h ₄₂ (E)	15	#5	8'-10"	
h ₄₃ (E)	15	#5	7'-7"	
h ₄₄ (E)	13	#5	7'-4"	
h ₄₅ (E)	13	#5	5'-9"	
h ₄₆ (E)	5	#4	16'-7"	
h ₄₇ (E)	5	#4	9'-4"	
h ₄₈ (E)	5	#6	29'-8"	
h ₄₉ (E)	6	#5	32'-9"	
h ₅₀ (E)	6	#5	29'-8"	
h ₅₁ (E)	5	#6	33'-2"	
h ₅₂ (E)	6	#5	28'-11"	
h ₅₃ (E)	6	#5	31'-10"	
h ₅₄ (E)	5	#6	29'-2"	
h ₅₅ (E)	5	#6	31'-10"	
h ₅₆ (E)	5	#5	3'-3"	
h ₅₇ (E)	5	#5	4'-1"	
h ₅₈ (E)	17	#4	23'-3"	
h ₅₉ (E)	26	#4	21'-3"	
h ₆₀ (E)	36	#4	29'-7"	
h ₆₁ (E)	33	#4	27'-5"	
h ₆₂ (E)	80	#4	30'-6"	
h ₆₃ (E)	65	#5	30'-10"	
h ₆₄ (E)	64	#4	27'-8"	
h ₆₅ (E)	52	#5	28'-0"	
h ₆₆ (E)	5	#5	3'-8"	
h ₆₇ (E)	5	#5	3'-5"	
h ₆₈ (E)	8	#4	10'-11"	
n ₁₀ (E)	193	#10	9'-2"	
n ₁₁ (E)	124	#6	6'-11"	
n ₁₂ (E)	61	#6	8'-5"	
n ₁₃ (E)	37	#8	8'-8"	
s(E)	28	#4	8'-5"	
s ₂₀ (E)	496	#6	14'-7"	
s ₂₁ (E)	288	#5	13'-8"	
sp(E)	61	#5	33'-0"	
t ₄ (E)	504	#9	16'-0"	
t ₅ (E)	253	#10	14'-5"	
v ₂ (E)	116	#5	12'-10"	
v ₃ (E)	116	#5	2'-0"	
v ₄ (E)	116	#4	3'-7"	
v ₂₁ (E)	1952	#10	36'-5"	
v ₂₂ (E)	132	#8	12'-2"	
v ₂₃ (E)	124	#6	12'-2"	
v ₂₄ (E)	240	#5	4'-0"	
v ₂₅ (E)	123	#5	5'-6"	
v ₂₆ (E)	19	#7	15'-0"	
v ₂₇ (E)	17	#7	13'-7"	
v ₂₈ (E)	6	#7	12'-0"	
v ₂₉ (E)	6	#7	10'-8"	
v ₃₀ (E)	12	#4	7'-6"	
v ₃₁ (E)	29	#4	4'-8"	
v ₃₂ (E)	6	#4	21'-3"	
v ₃₃ (E)	13	#7	16'-5"	
v ₃₄ (E)	19	#5	11'-2"	
v ₃₅ (E)	18	#5	9'-1"	
v ₃₆ (E)	19	#4	6'-8"	
v ₃₇ (E)	10	#4	24'-2"	
v ₃₈ (E)	1	#4	6'-1"	
v ₃₉ (E)	326	#4	10'-7"	
w ₄ (E)	66	#5	31'-4"	
w ₅ (E)	44	#5	28'-10"	
w ₆ (E)	44	#5	29'-6"	
w ₇ (E)	44	#5	25'-1"	
Concrete Structures		Cu. Yd.	916.9	
Reinforcement Bars, Epoxy Coated		Pound	466,610	
Drilled Shaft in Rock		Cu. Yd.	435	
Drilled Shaft in Soil		Cu. Yd.	250	
Concrete Sealer		Sq. Ft.	3,141	
Structure Excavation		Cu. Yd.	1,073	

*Length is height of spiral



FIELD CUTTING DIAGRAM

Order bars full length. Cut as shown and use remainder of bars in lower end of wing walls.



EXPANSION JOINT

CONSTRUCTION JOINT

SOUTH ABUTMENT DETAILS
IL. RTE. 5 OVER IL. RTE. 84
F.A.P. RTE. 595 - SECTION 5HBR
ROCK ISLAND COUNTY
STATION 623+65.69
S.N. 081-0169

DESIGNED	Dewey H. Coultas
CHECKED	Chad E. Hodel
DRAWN	W.D. Collins
CHECKED	D.H.C./C.E.H.

October 5, 2007	
EXAMINED	Thomas J. Domagala ENGINEER OF BRIDGES
PASSED	Ralph E. Anderson ENGINEER OF BRIDGES AND STRUCTURES