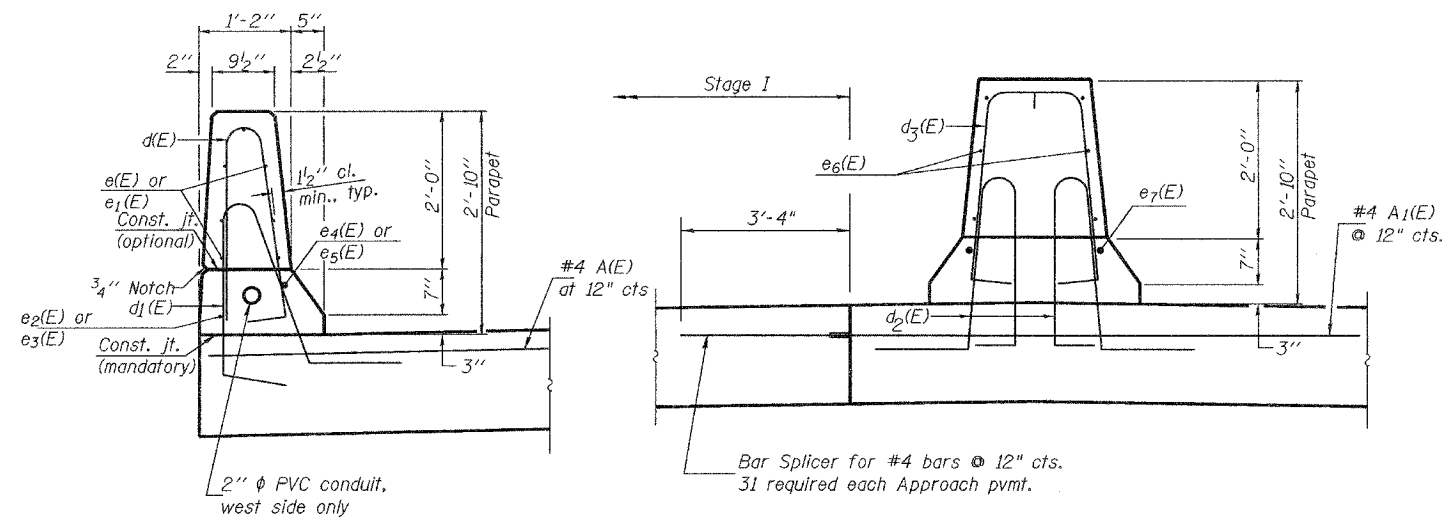


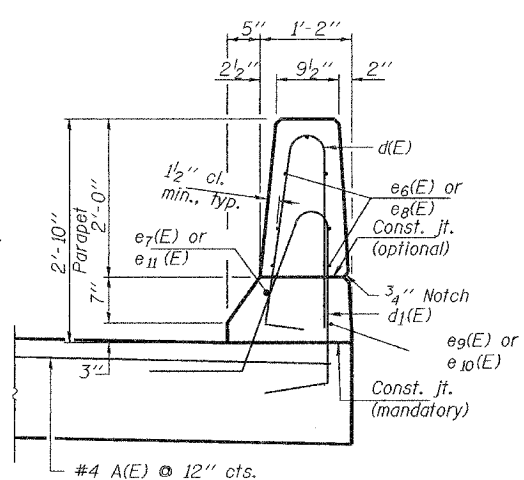
STATE OF ILLINOIS
DEPARTMENT OF TRANSPORTATION

ROUTE NO.	SECTION	COUNTY	TOTAL SHEETS	SHEET NO.
FAP 595	5HBR	Rock Island	139	84
FED. ROAD DIST. NO. 7	ILLINOIS	FED. AID PROJECT-		

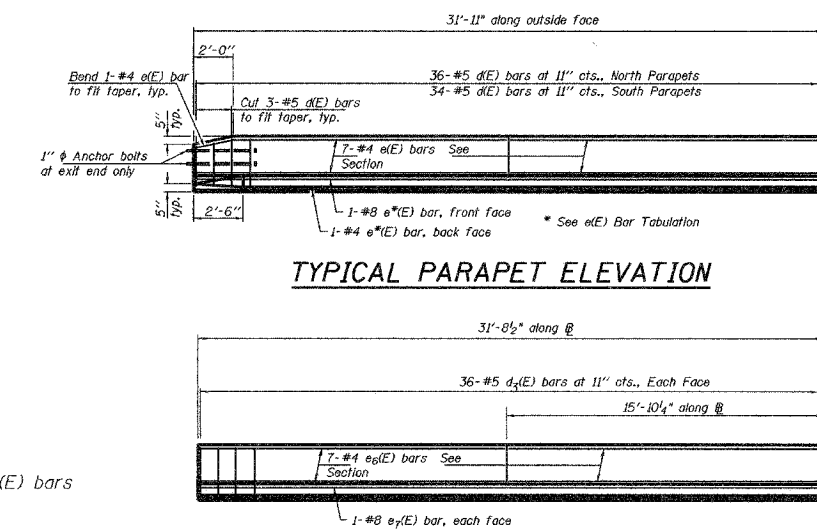
Contract #64931



SECTION THRU BRIDGE APPROACH PAVEMENT
(Looking North)



TYPICAL PARAPET ELEVATION



TYPICAL MEDIAN PARAPET ELEVATION

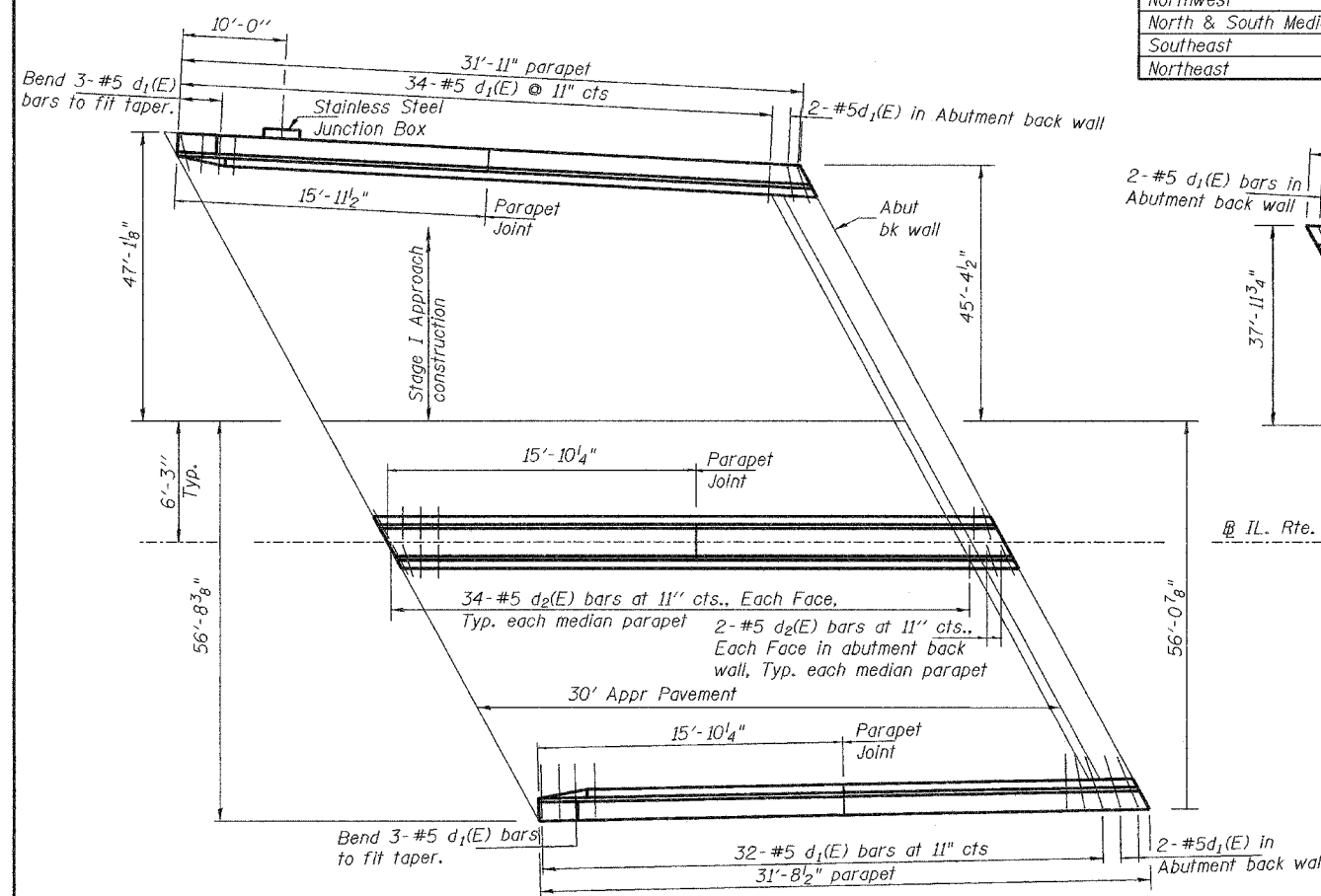
Tabulation of e(E) Bars

Parapet Location	e(E) Bars
Southwest	e(E), e ₂ (E), & e ₄ (E)
Northwest	e ₁ (E), e ₃ (E), & e ₅ (E)
North & South Median	e ₆ (E), & e ₇ (E)
Southeast	e ₈ (E), e ₇ (E), & e ₉ (E)
Northeast	e ₈ (E), e ₁₀ (E), & e ₁₁ (E)

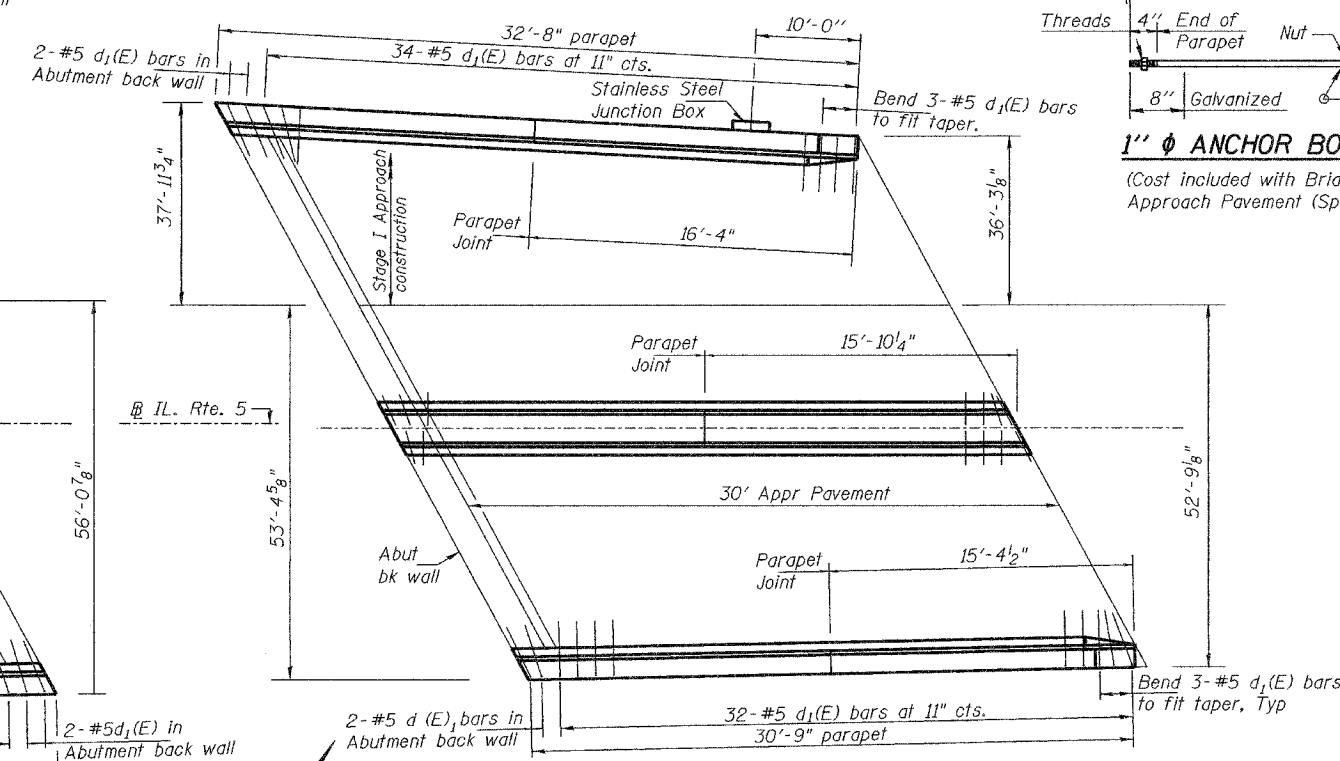
Notes:
See Bridge Plans for bending details for d(E) thru d₃(E) bars and parapet joint details.
Other than 'd' bars, bar designations on this sheet have no relationship to similarly designated bars on any other sheet.

Bill of Material provided For Information Only. All work shown on this sheet is included in Bridge Approach Pavement (Special), except Junction Boxes are included with Conduit Embedded in Structures 2" Dia., PVC

See Highway Standard 420401 for details not shown.



PLAN - SOUTH APPROACH



PLAN - NORTH APPROACH

TWO APPROACH SLABS
BILL OF MATERIAL

Bar	No.	Size	Length	Shape
A(E)	128	#4	6'-0"	
A ₁ (E)	62	#4	8'-0"	
e(E)	14	#4	15'-8"	
e ₁ (E)	14	#4	16'-0"	
e ₂ (E)	1	#4	31'-7"	
e ₃ (E)	1	#4	32'-4"	
e ₄ (E)	1	#8	31'-7"	
e ₅ (E)	1	#8	32'-4"	
e ₆ (E)	42	#4	15'-6"	
e ₇ (E)	5	#8	31'-4"	
e ₈ (E)	14	#4	15'-0"	
e ₉ (E)	1	#4	31'-4"	
e ₁₀ (E)	1	#4	30'-5"	
e ₁₁ (E)	1	#8	30'-5"	
d(E)	140	#5	5'-7"	
d ₁ (E)	132	#5	7'-7"	
d ₂ (E)	68	#5	6'-1"	
d ₃ (E)	72	#5	6'-9"	
Bridge Approach Pavement (Special)		Sq. Yd.	643	

Reinforcement bars designated (E) shall be epoxy coated.

BRIDGE APPROACH PAVEMENT (SPECIAL)

IL. RTE. 5 OVER IL. RTE. 84
F.A.P. RTE. 595 - SECTION 5HBR
ROCK ISLAND COUNTY
STATION 623+65.69
S.N. 081-0169

DESIGNED	Dewey H. Coultas
CHECKED	Chad Hodel
DRAWN	Wallace D. Collins
CHECKED	C.E.H.

EXAMINED	Thomas J. Demagala ENGINEER OF BRIDGE DESIGN
PASSED	Ralph E. Anderson ENGINEER OF BRIDGES AND STRUCTURES

October 5, 2007