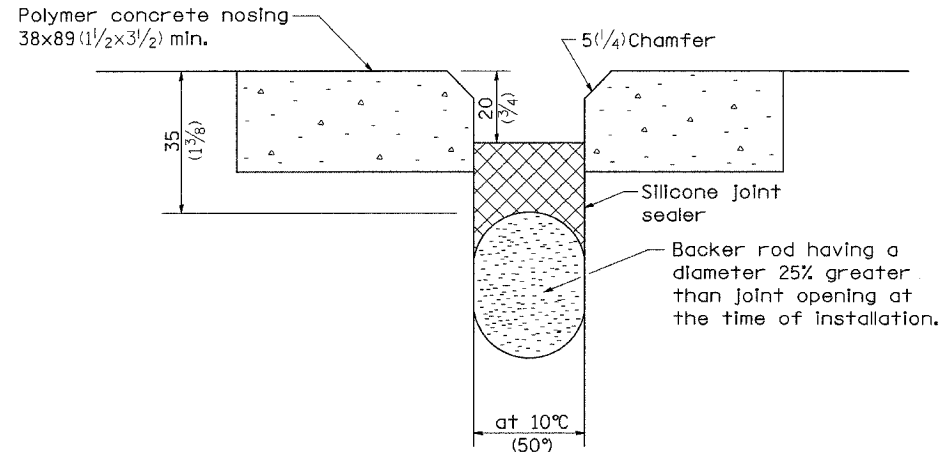


F.A.P. RTE.	SECTION	COUNTY	TOTAL SHEETS	SHEET NO.
*595	SHBR	ROCKISLAND	139	99
STA.		TO STA.		
FED. ROAD DIST. NO.		ILLINOIS	FED. AID PROJECT	
*(IL 5/IL 92)				

# SILICONE JOINT SEAL (CONCRETE DETAILS)

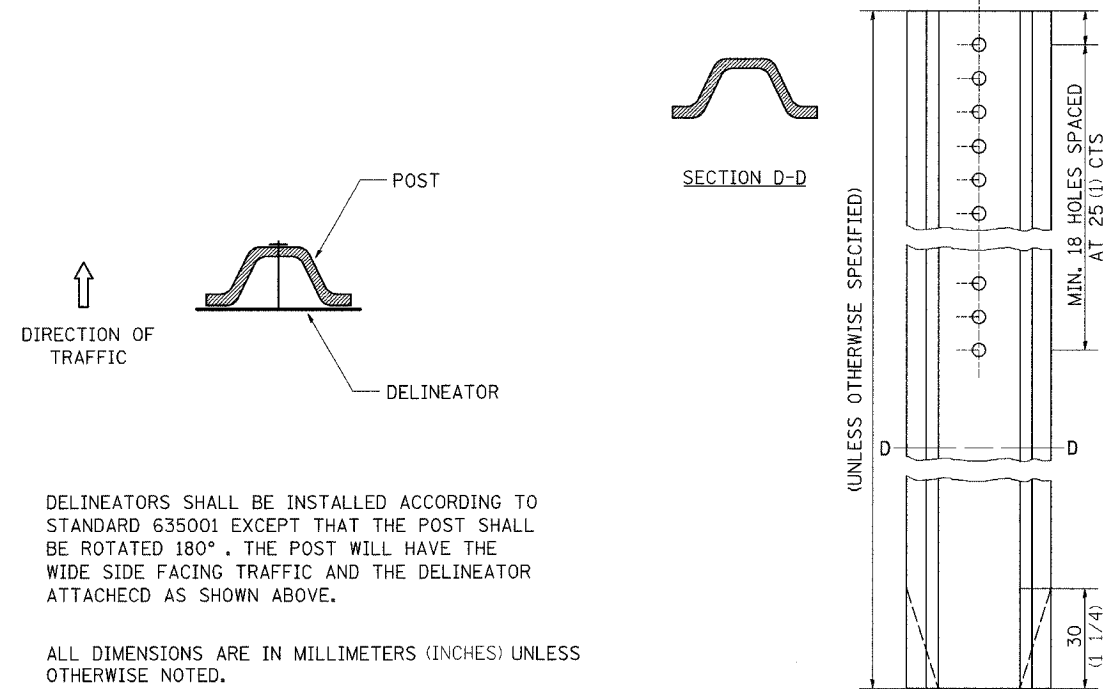


ALL DIMENSIONS ARE IN MILLIMETERS (INCHES) UNLESS OTHERWISE NOTED.

**SILICONE JOINT SEAL (CONCRETE DETAILS) 29.4**

REVISED 5-1-96

# DELINEATOR AND POST ORIENTATION



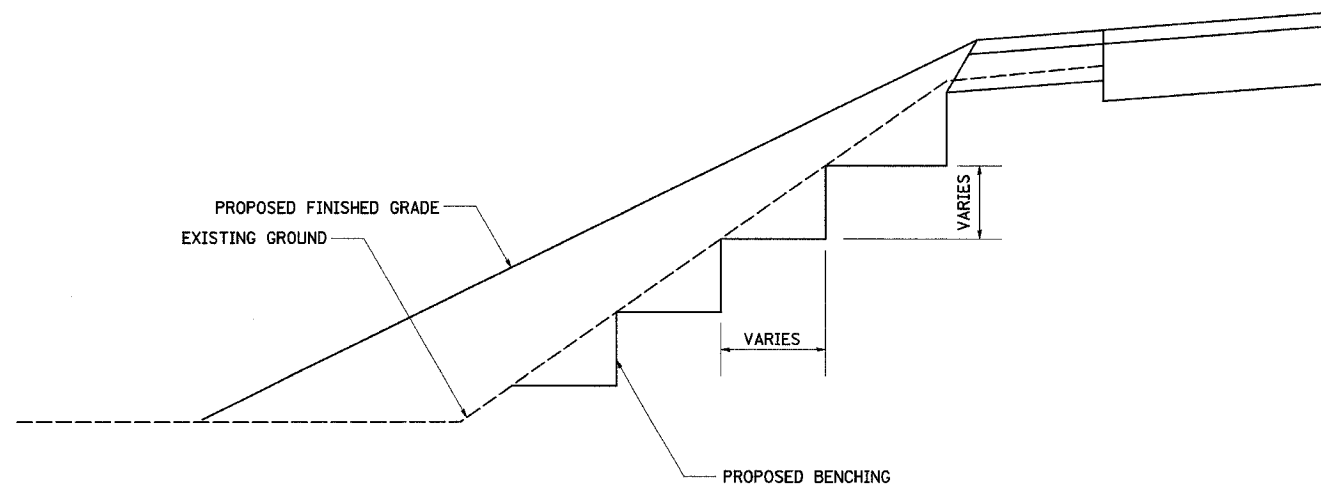
DELINEATORS SHALL BE INSTALLED ACCORDING TO STANDARD 635001 EXCEPT THAT THE POST SHALL BE ROTATED 180°. THE POST WILL HAVE THE WIDE SIDE FACING TRAFFIC AND THE DELINEATOR ATTACHED AS SHOWN ABOVE.

ALL DIMENSIONS ARE IN MILLIMETERS (INCHES) UNLESS OTHERWISE NOTED.

**DELINEATOR AND POST ORIENTATION 37.4**

REVISED 1-31-00

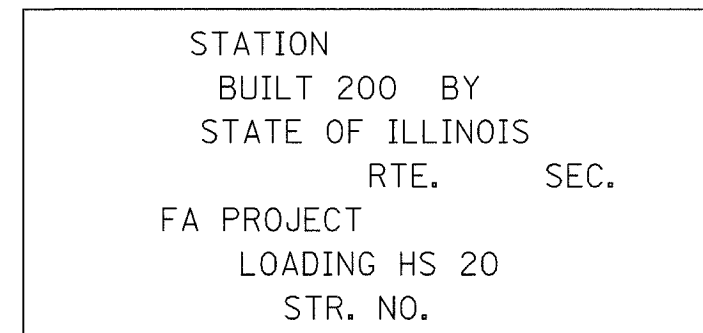
# TYPICAL BENCHING ON EXISTING EMBANKMENT



**TYPICAL BENCHING ON EXISTING EMBANKMENT 50.4**

REVISED 2-22-06

# LETTERING FOR NAME PLATE



SEE STD. 515001

ALL DIMENSIONS ARE IN MILLIMETERS (INCHES) UNLESS OTHERWISE NOTED.

**LETTERING FOR NAME PLATE 89.4**

REVISED 10-15-04

PLOT DATE = Wed Aug 22 13:42:49 2007  
 FILE NAME = c:\p\projects\628283\628283.dgn  
 PLOT SCALE = 1:1  
 REFERENCE = PREP