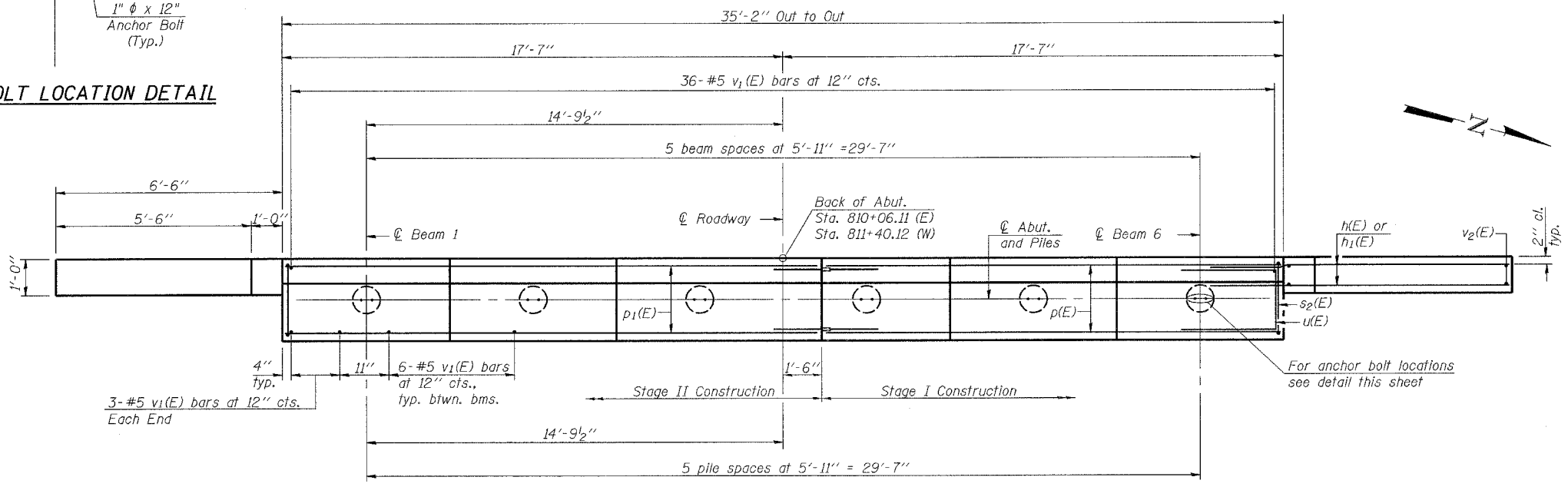
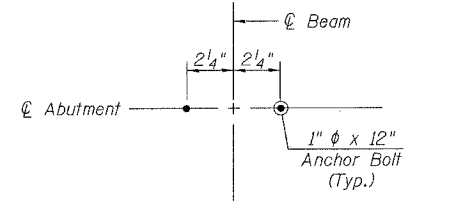
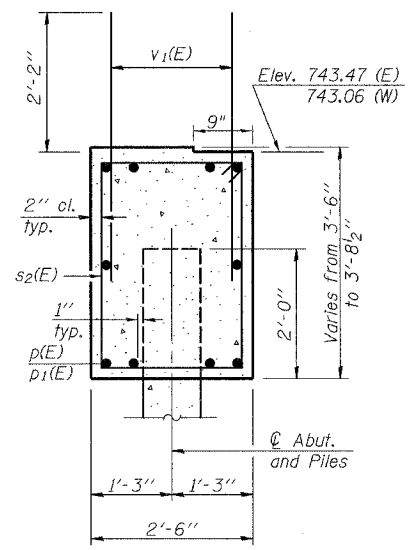
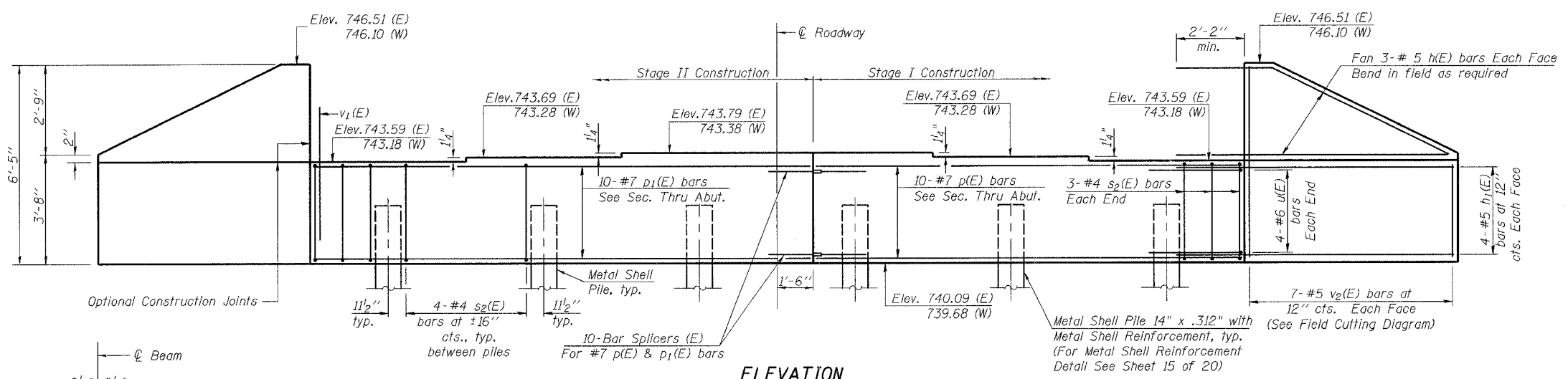
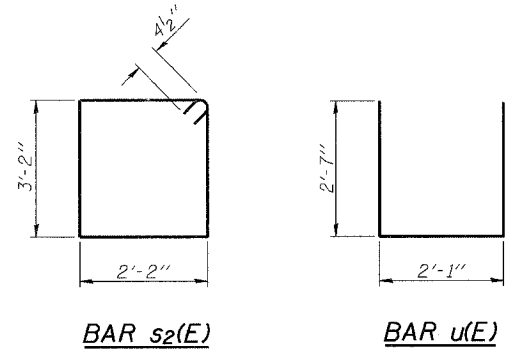
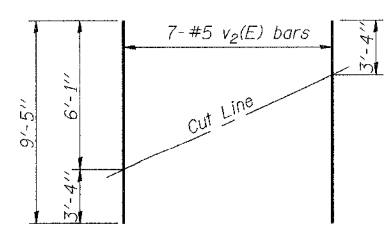


Contract #66697



**PILE DATA**

Type: Metal Shell-14 in. dia. x .312 in. walls  
Nominal Required Bearing: 261 Kips  
Allowable Resistance Available: 87 Kips  
Est. Length: 36' (East Abutment), 27' (West Abutment)  
No. Production Piles: 6 (East Abutment), 5 (West Abutment)  
No. Test Piles: 1 (North Pile of West Abutment)



**BILL OF MATERIAL**  
(East and West Abutment)

Bar	No.	Size	Length	Shape	
h(E)	24	#5	9'-0"	—	
h <sub>1</sub> (E)	32	#5	8'-6"	—	
p(E)	20	#7	15'-9"	—	
p <sub>1</sub> (E)	20	#7	18'-9"	—	
s <sub>2</sub> (E)	52	#4	11'-5"	□	
u(E)	16	#6	7'-3"	—	
v <sub>1</sub> (E)	144	#5	4'-4"	—	
v <sub>2</sub> (E)	28	#5	9'-5"	—	
* Structure Excavation				Cu. Yd.	172.0
Concrete Structures				Cu. Yd.	28.5
Reinforcement Bars, Epoxy Coated				Pound	3,370
Furnishing Metal Shell Piles 14" x .312"				Foot	351
Driving Piles				Foot	351
Test Pile Metal Shells				Each	1
Bar Splicers				Each	20

\* Structure Excavation for W. Abut. = 103.7 Cu. Yd., E. Abut. = 68.3 Cu. Yd.

Notes: Space reinforcement in cap to miss anchor bolts.  
Pour steps monolithically with cap.  
For bearing details and anchor bolt installation, see sheet 12 of 20.  
For Bar Splicer details, see sheet 16 of 20.  
For Pile Details, see sheet 15 of 20.

<p>Excellence through Ownership</p> <p>200 West Front Street Wheaton, IL 60187</p>	<p>ILLINOIS DEPARTMENT OF TRANSPORTATION</p> <p>ABUTMENTS IL RTE 9 OVER DRUMMER CREEK FAP RTE 693 - SECTION 19BR-1 FORD COUNTY STATION 810+73.11 STRUCTURE NO. 027-0096</p>
	<p>DATE: 8/7/2007</p> <p>DRAWN BY JMT CHECKED BY BLB</p>