

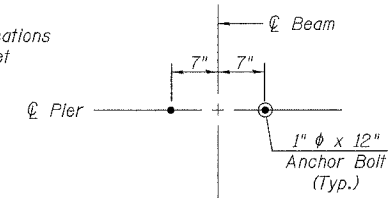
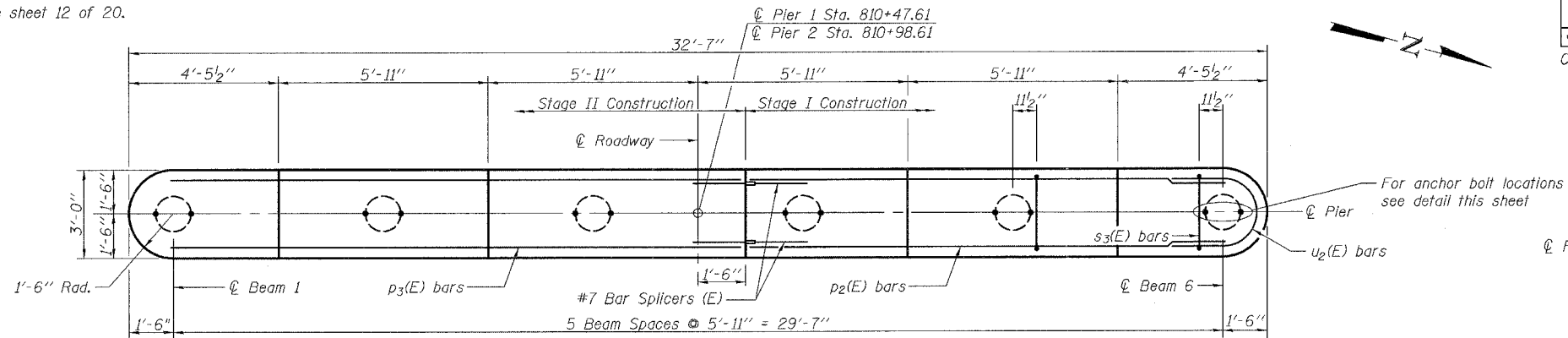
Notes: Space reinforcement in cap to miss anchor bolts.  
 Four steps monolithically with cap.  
 For bearing details and anchor bolt installation, see sheet 12 of 20.  
 All edges shall have standard  $\frac{3}{4}$ " chamfers.  
 For Bar Splicer details, see sheet 16 of 20.  
 For Pile Details, see sheet 15 of 20.

**PILE DATA**

Type: Metal Shell-14 in. dia. x .312 in. walls  
 Nominal Required Bearing: 372 Kips (Pier 1),  
 357 Kips (Pier 2)  
 Allowable Resistance Available: 124 Kips (Pier 1),  
 119 Kips (Pier 2)  
 Est. Length: 53' (Pier 1), 50' (Pier 2)  
 No. Production Piles: 5 (Pier 1), 6 (Pier 2)  
 No. Test Piles: 1 (South Pile of Pier 1)

PROJECT NO.	SECTION	COUNTY	TOTAL SHEETS	SHEET NO.	SHEET NO. 14 20 SHEETS
FAP 693	19BR-1	FORD	50	27	
FED. ROAD DIST. NO. 7	ILLINOIS	FED. AID PROJECT			

Contract #66697

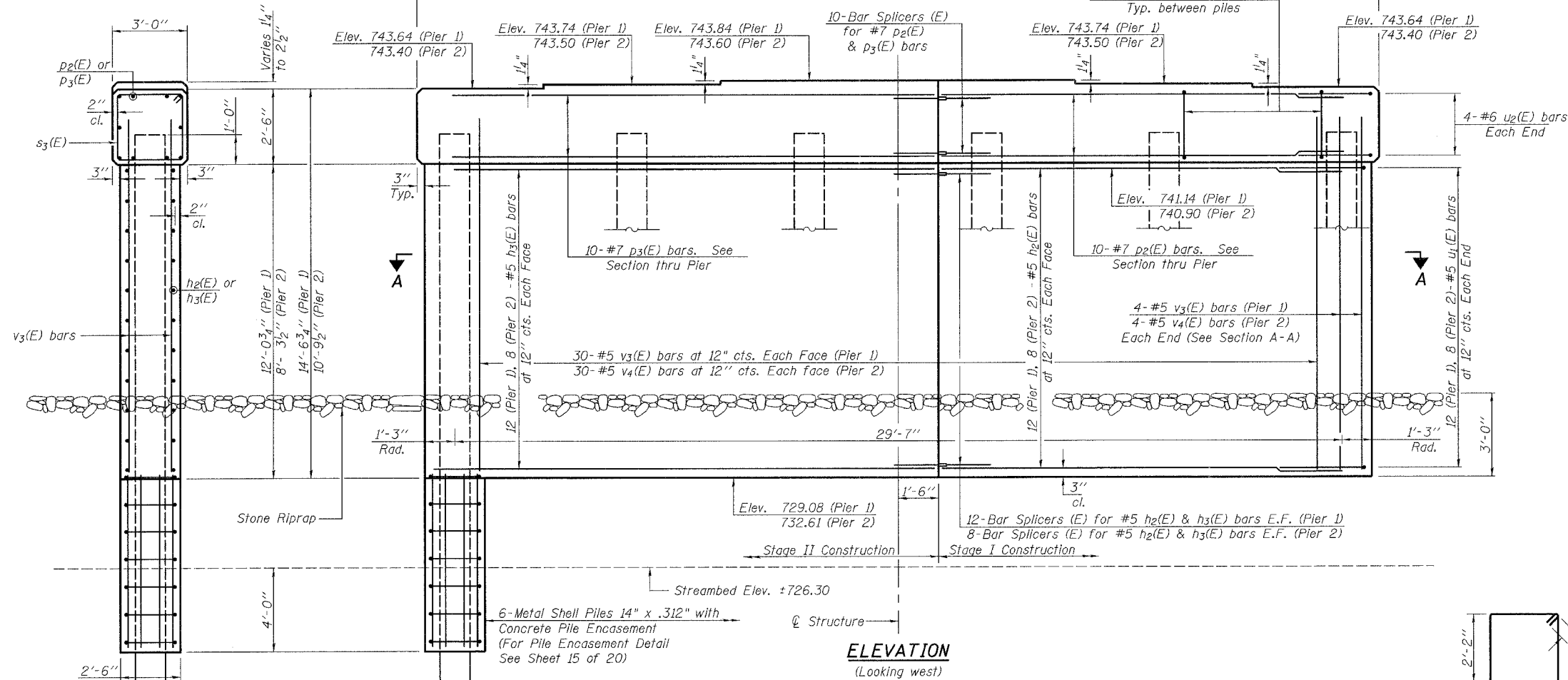


**ANCHOR BOLT LOCATION DETAIL**

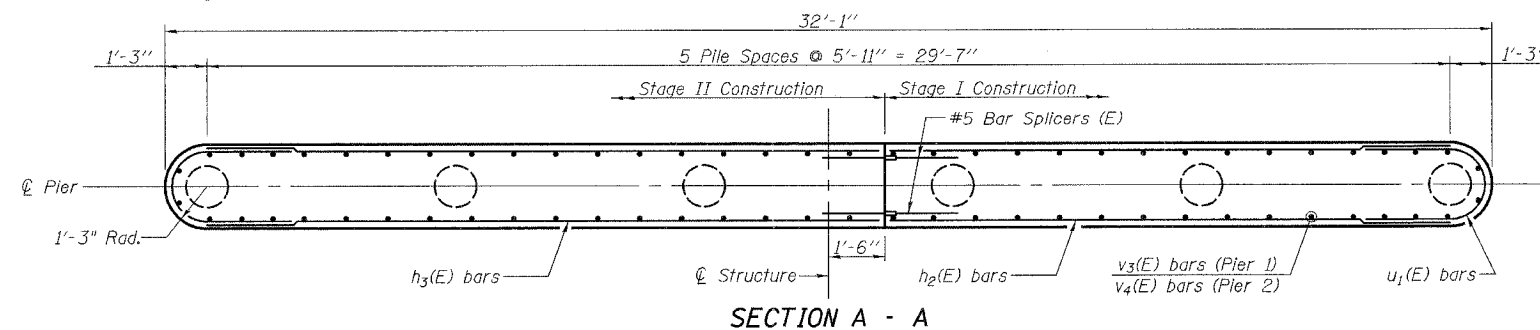
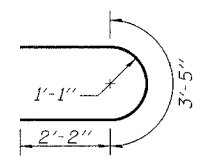
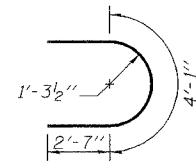
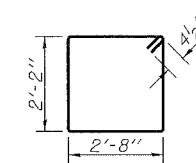
**BILL OF MATERIAL**  
(2 Piers)

Bar	No.	Size	Length	Shape	
h2(E)	40	#5	13'-2"	—	
h3(E)	40	#5	16'-2"	—	
p2(E)	20	#7	13'-2"	—	
p3(E)	20	#7	16'-2"	—	
s3(E)	50	#4	10'-5"	□	
u1(E)	40	#5	7'-9"	U	
u2(E)	16	#6	9'-3"	U	
v3(E)	68	#5	13'-6"	—	
v4(E)	68	#5	9'-9"	—	
* Structure Excavation				Cu. Yd.	57.4
Concrete Structures				Cu. Yd.	78.0
Concrete Encasement				Cu. Yd.	18.6
Reinforcement Bars, Epoxy Coated				Pound	4,970
Furnishing Metal Shell Piles 14" x .312"				Foot	565
Driving Piles				Foot	565
Test Pile Metal Shells				Each	1
Bar Splicers				Each	60
Underwater Structure Excavation Protection, Location 1				Each	1
Underwater Structure Excavation Protection, Location 2				Each	1

\* Structure Excavation for Pier 1 = 27.7 Cu. Yd., Pier 2 = 29.7 Cu. Yd.



**END VIEW**



**rjngroup**  
Excellence through Ownership

200 West Front Street  
Wheaton, IL 60187

ILLINOIS DEPARTMENT OF TRANSPORTATION

PIERS  
 IL RTE 9 OVER DRUMMER CREEK  
 FAP RTE 693 - SECTION 19BR-1  
 FORD COUNTY  
 STATION 810+73.11  
 STRUCTURE NO. 027-0096

DATE: 8/7/2007

DRAWN BY JMT  
 CHECKED BY BLB