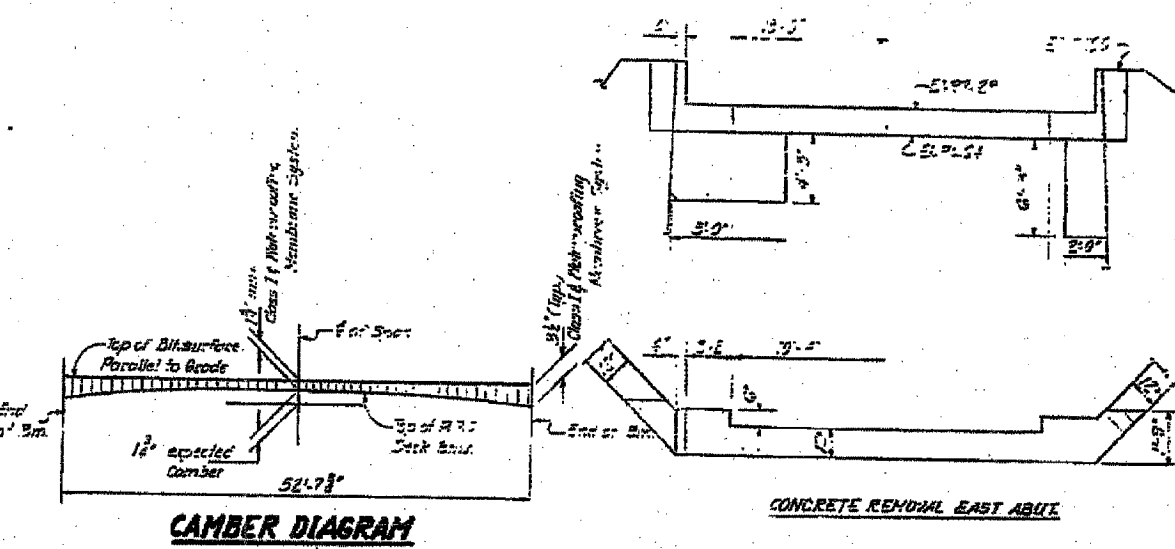
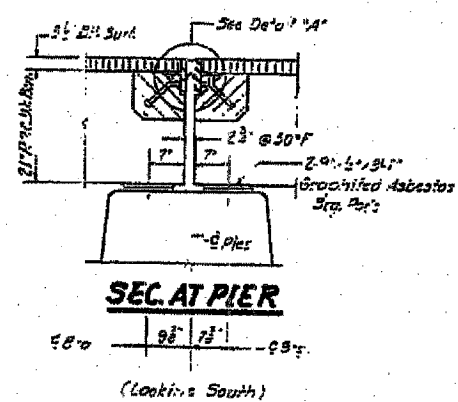
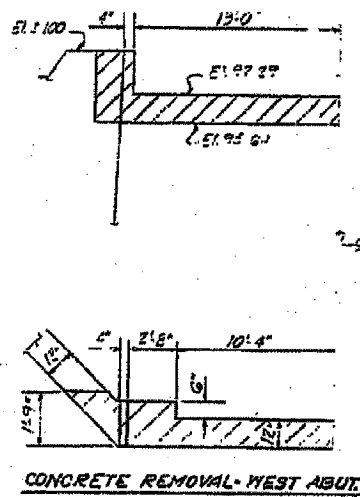
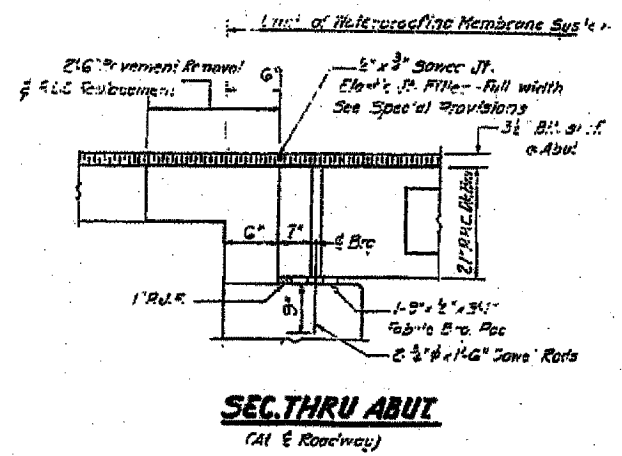
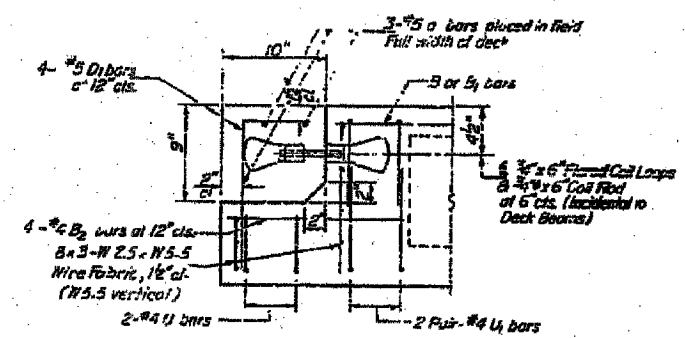
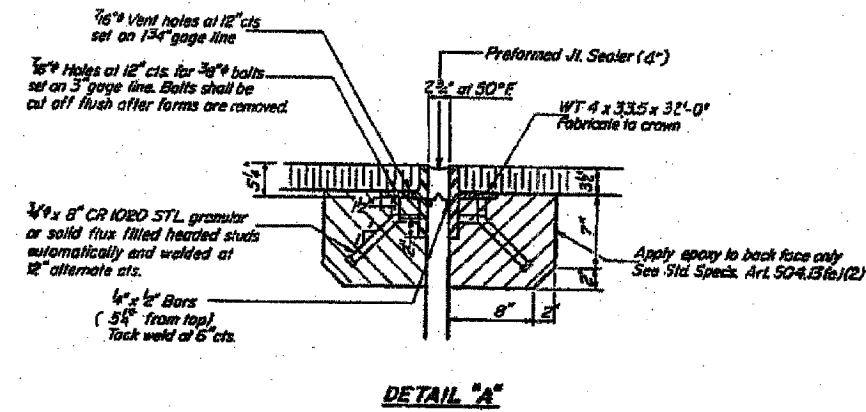
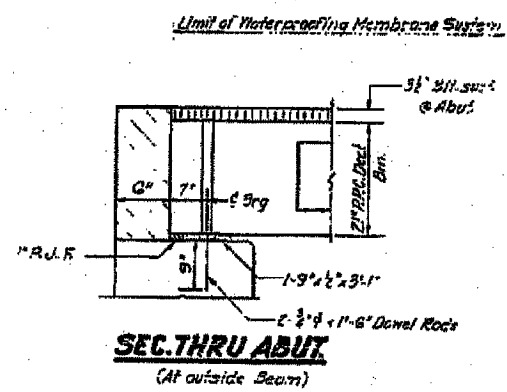


STATE OF ILLINOIS  
DEPARTMENT OF TRANSPORTATION

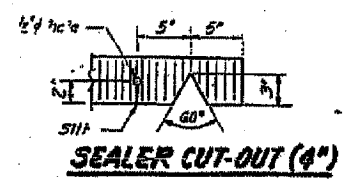
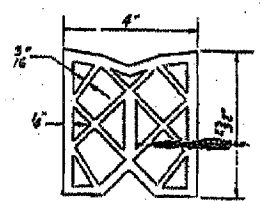
PROJECT	FORD	42	22
SHEET NO.	36 OF 50		



CONCRETE REMOVAL EAST ABUT

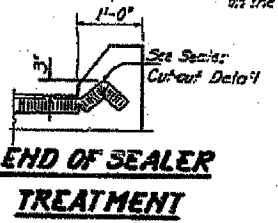


BAR D1



NOTE: Dimensions are at right angles.  
Hatched areas to be poured after beams have been erected and joints grouted.  
Ends of beams shall be aligned at the expansion joints. Any linear variation in the beam lengths shall be placed at the fixed joint.  
See End of Beam Detail for reinforcement.

Hatched area quantities:  
on beam are billed with superstructure sheet #2  
on the abutment are billed with abutment sheet #6 #7.



DESIGNED	Patrick M. Patino
CHECKED	C.A. Holzner
DRAWN	Anna B. ...
CHECKED	C.A.H.

EXAMINED	SEP 11 1979
PASSED	
APPROVED	

**SUPERSTRUCTURE-DETAILS**  
**F.A.R.I. 693 SEC. 19 BR**  
**FORD COUNTY**  
**STA. 810+65.00**