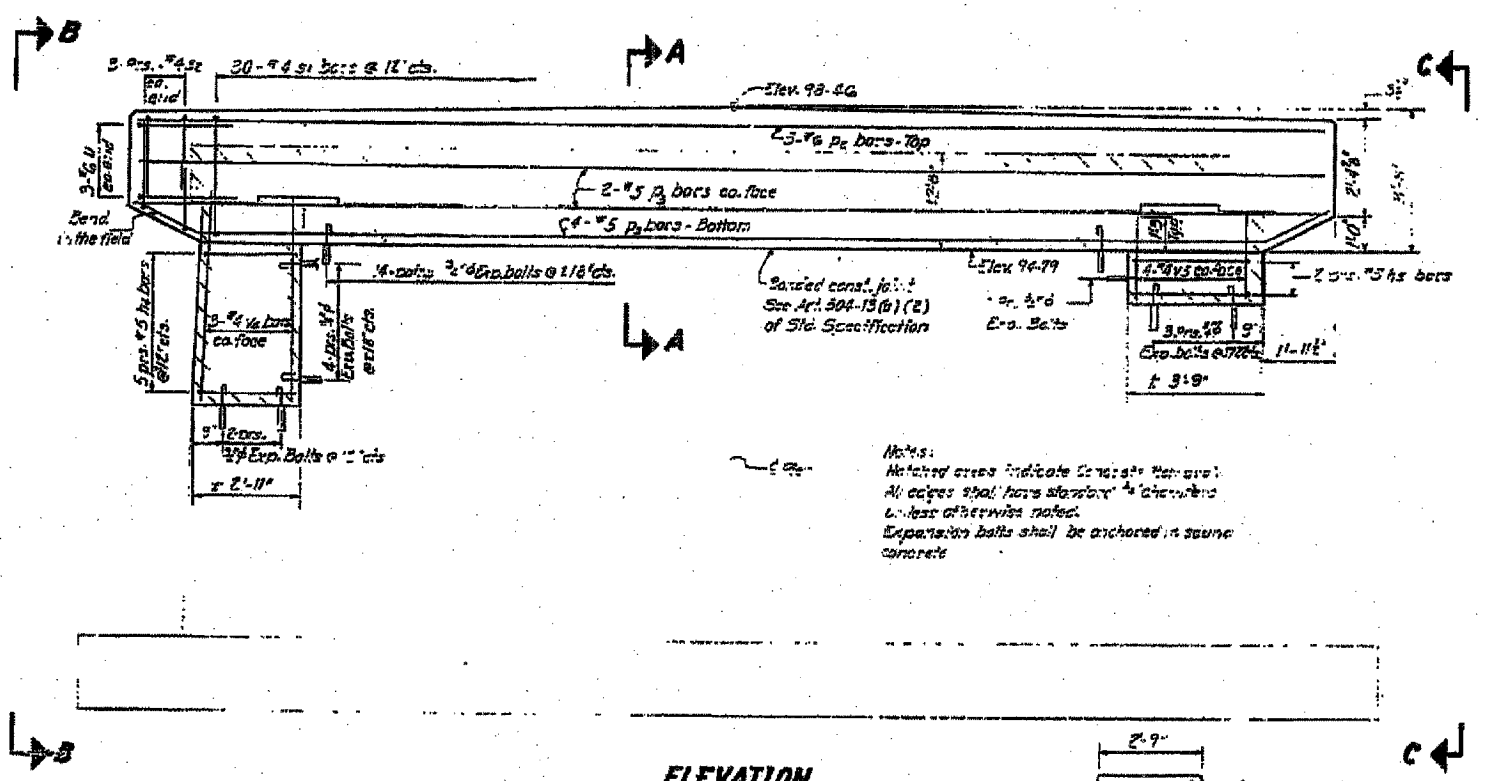
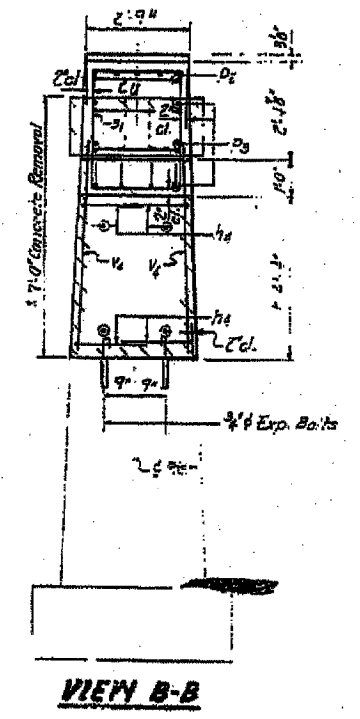
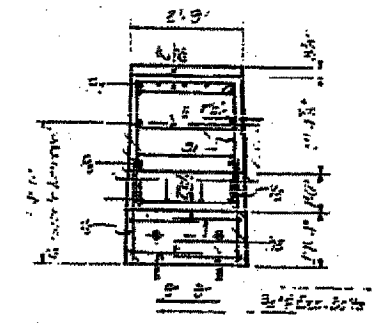
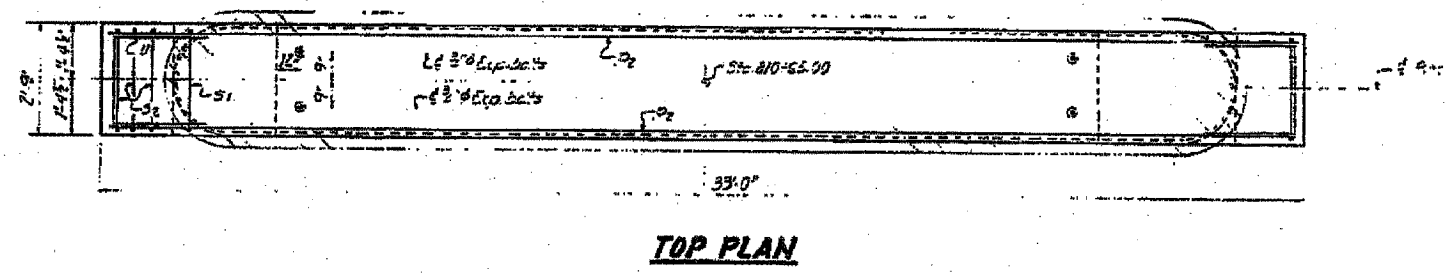
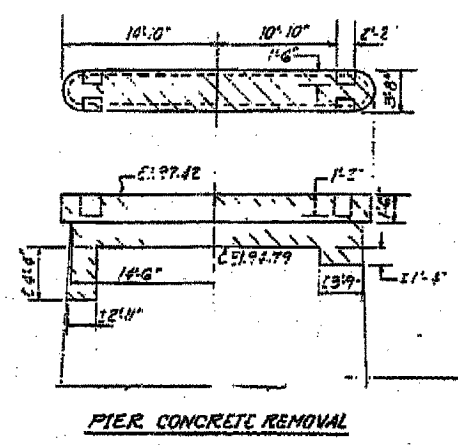


STATE OF ILLINOIS
DEPARTMENT OF TRANSPORTATION

PROJECT NO.	CONTRACT NO.	SHEET NO.	TOTAL SHEETS
104-0-10	104-10	42 26	7 SHEETS

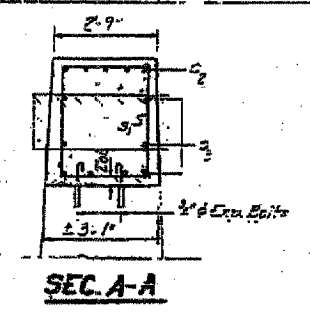
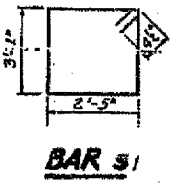
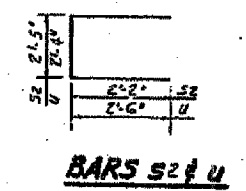
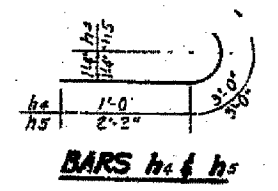


Notes:
Hatched areas indicate concrete removal.
All edges shall have standard 45 degree chamfers unless otherwise noted.
Expansion balls shall be anchored in sound concrete.

BILL OF MATERIAL

Bar	No.	Size	Length	Shape
1a	10	#3	6'-0"	U
1b	4	#3	3'-2"	U
2a	8	#6	32'-9"	U
2b	8	#3	32'-9"	U
3a	30	#4	2'-9"	U
3b	12	#4	6'-0"	U
4	6	#6	7'-5"	U
5a	6	#2	5'-6"	U
5b	6	#2	5'-6"	U
Concrete Removal	10.00		10	
Form & Concrete	16.00		16.0	
Reinforcement Bars (Round)	970			
Expansion Balls (2")	48			

DESIGNED: Peter L.M. P...
CHECKED: C.A. Hoffman
DRAWN: ...
CHECKED: C.A.A.
EXAMINED: ...
PASSED: ...
APPROVED: ...



PIER
F.A.R.T. 633 SEC. 13 BR
FORD COUNTY
STA 610+65.00