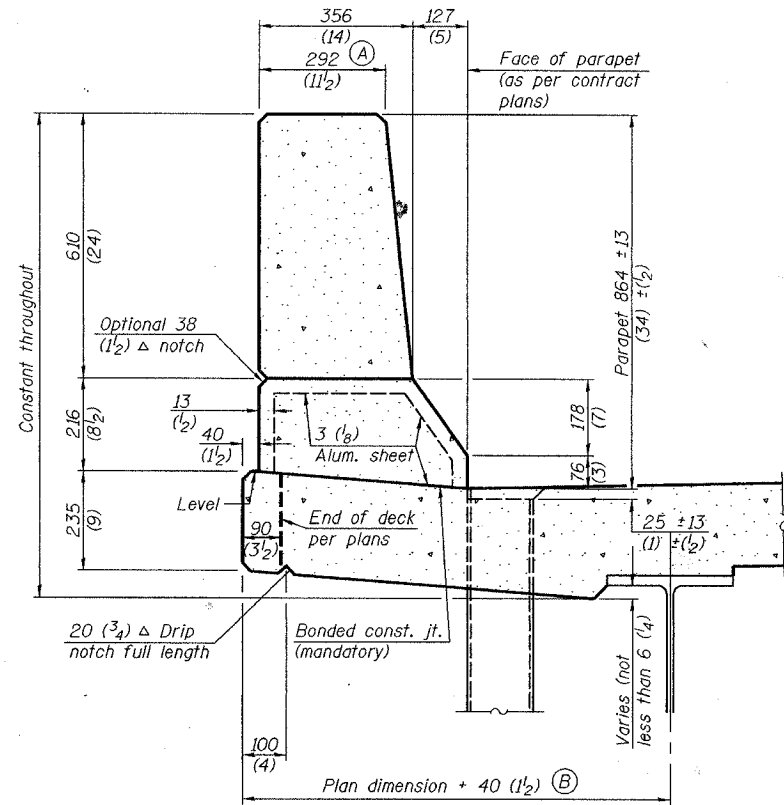


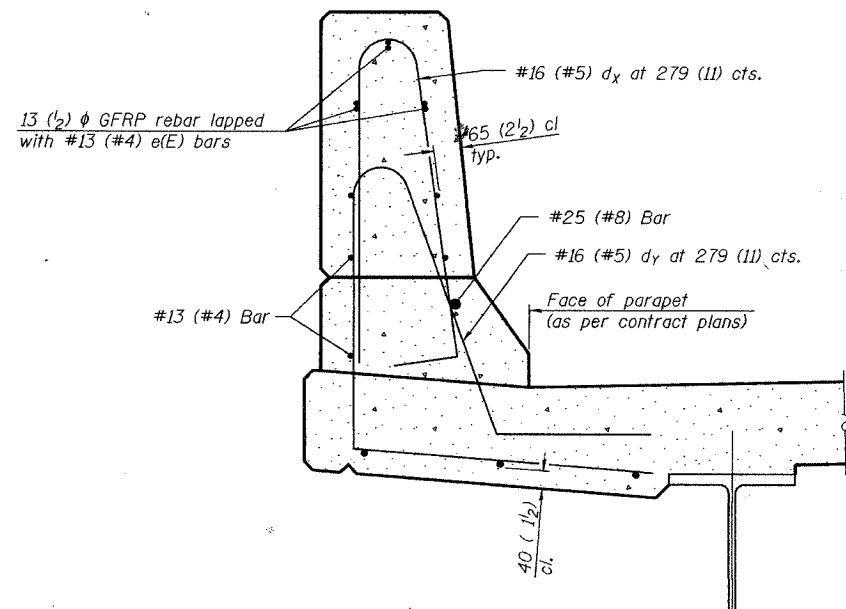
STATE OF ILLINOIS
DEPARTMENT OF TRANSPORTATION

FAP ROUTE NO.	SECTION	COUNTY	DATE	SHEET NO.	SHEET NO.
693	1982-1	FORD		42A	
FED. ROAD DIST. NO. 7		ILLINOIS		FED. AID PROJECT	

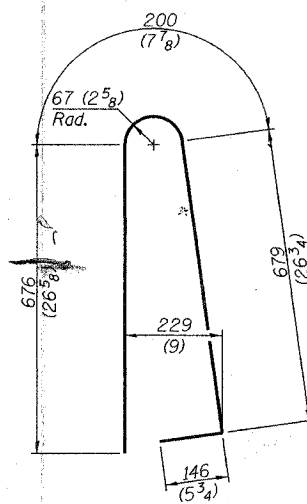
Contract # 66697



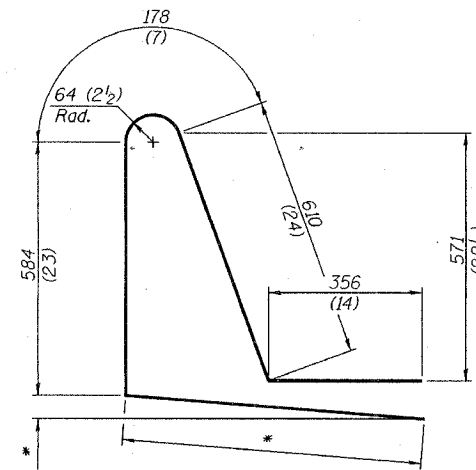
SECTION
(Showing dimensions)



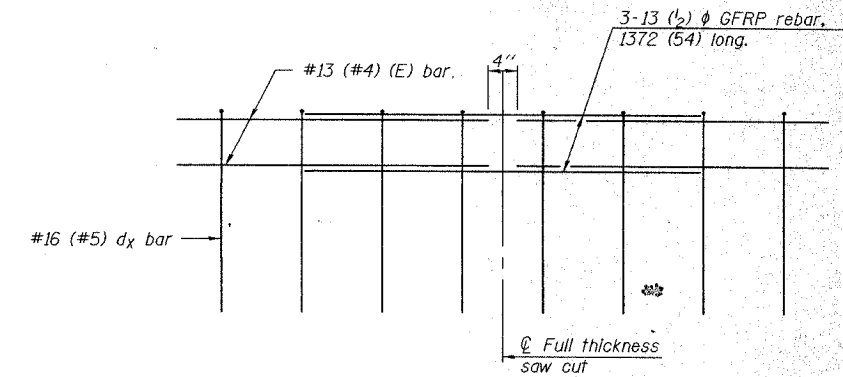
SECTION
(Showing required reinforcement)



BAR dx(e)



BAR dx(e)
* Per contract plans



GFRP REBAR STIFFENING DETAIL
(Place as shown in parapet section)

GENERAL NOTES

All dimensions shall remain the same as shown on contract plans, except dimensions A and B which are to be revised as shown to provide additional clearance. Additional concrete needed to revise dimension A and B= 0.0422 m³/m (.0165 cu. yds./ft.) of parapet. Place aluminum sheet in curb portion at and near piers. Full thickness saw cut at all other locations. Adjust/add joint locations to maintain 3 to 6 meter (10 to 20 foot) spacing.

**CONCRETE PARAPET
SLIPFORMING OPTION**