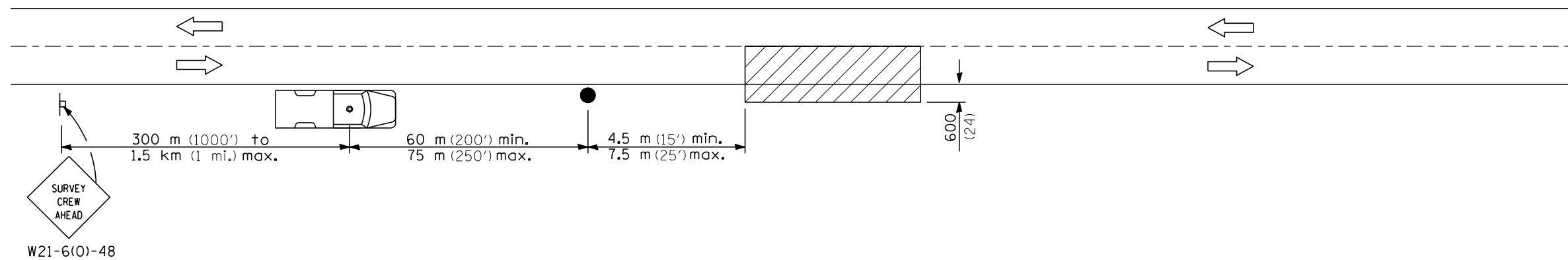
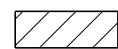


F.A.I. RTE.	SECTION	COUNTY	TOTAL SHEETS	SHEET NO.
74	*	CHAMPAIGN	122	51A
STA.		TO STA.		
FED. ROAD DIST. NO. -		ILLINOIS FED. AID PROJECT		
• (10-92-8)HB-1,HB-4BR CONTRACT NO. 70001				



SYMBOLS



Work area



Sign on portable or permanent support



Truck with flashing amber light and dual emergency flashers



Flagger with traffic control sign

TYPICAL APPLICATIONS
Utility operations

All dimensions are in millimeters (inches) unless otherwise shown.

DATE	REVISIONS
11/06	REPLACED DETAIL F-5.07

NIGHT TIME INSPECTION
OF ROADWAY LIGHTING

DISTRICT 5 DETAIL NO. 70100000