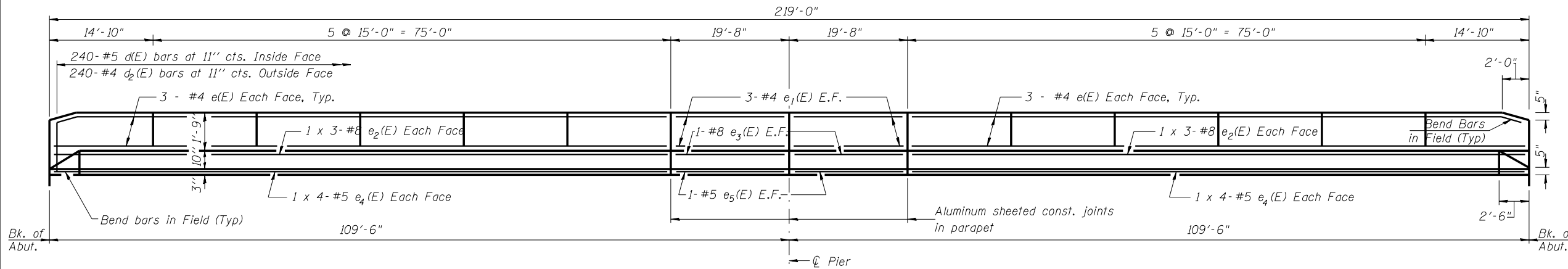


ROUTE NO.	SECTION	COUNTY	TOTAL SHEETS	SHEET NO.	SHEET NO. 6 17 SHEETS
FAI 74	*	CHAMPAIGN	122	57	
FED. ROAD DIST. NO. 7	ILLINOIS	FED. AID PROJECT-			

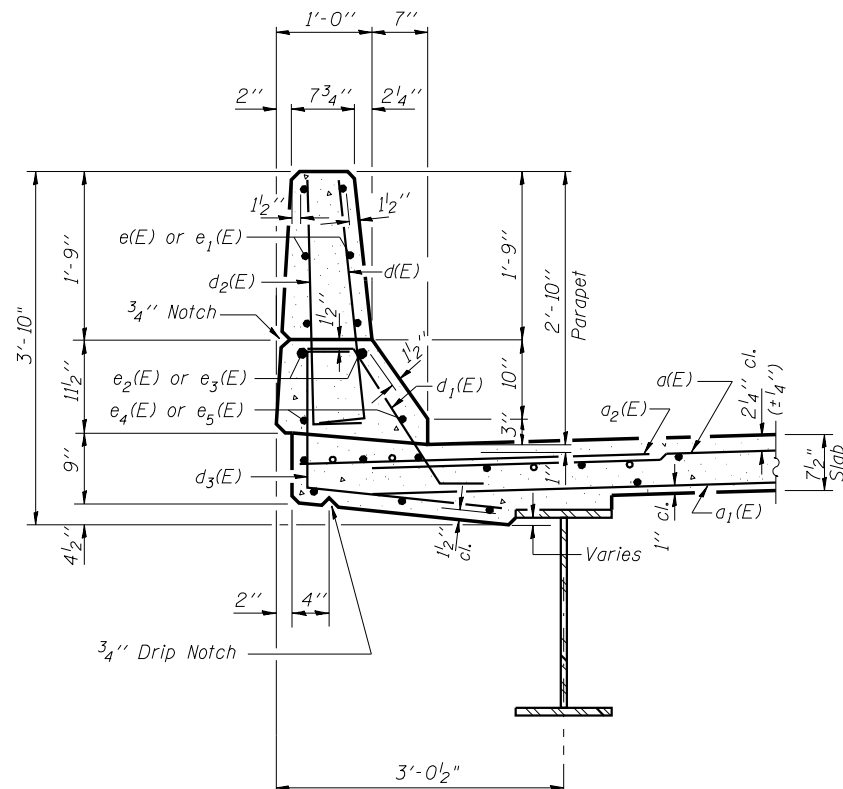
★ (10-92-8HB-1)BR



INSIDE ELEVATION OF PARAPET

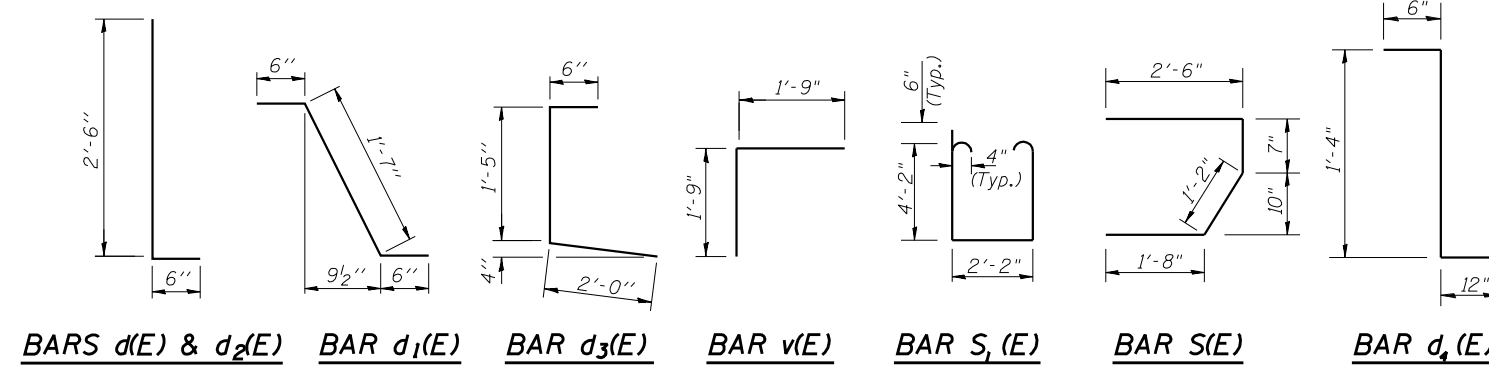
MIN. BAR LAP

- #4 bars = 1'-4"
- #5 bars = 1'-8"
- #8 bars = 3'-5"

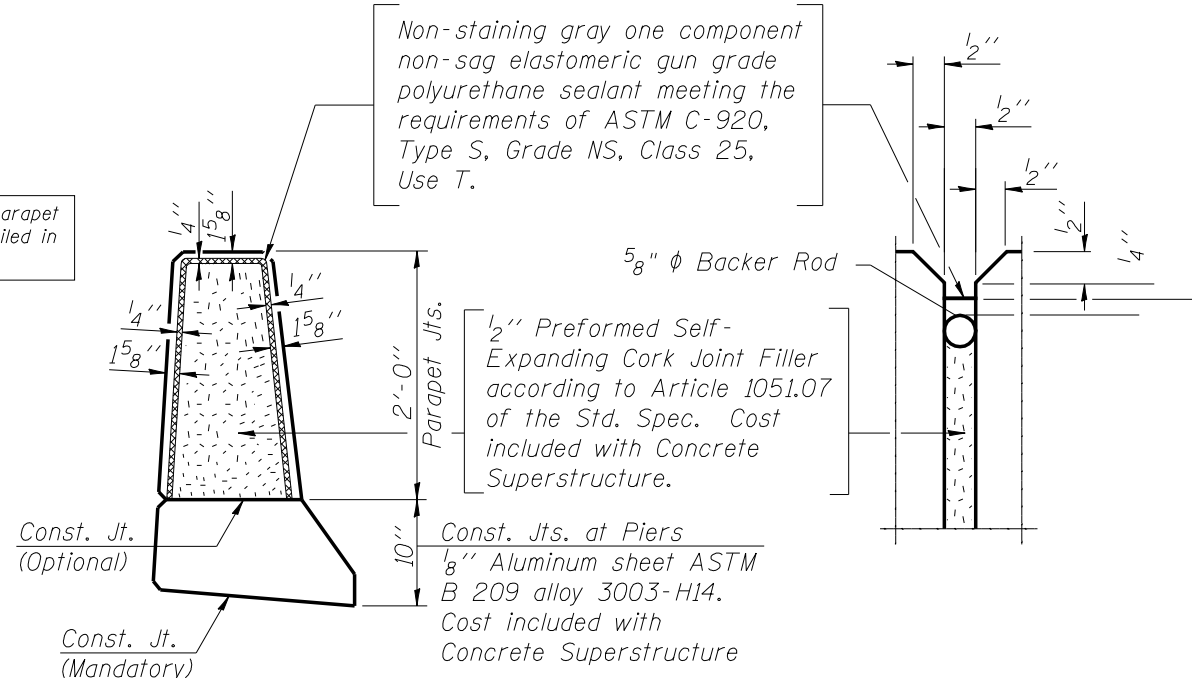


SECTION THRU PARAPET

The contractor shall construct the parapets according to the F shape parapet detailed in the special provisions in lieu of the New Jersey parapet detailed in the contract plans.



Non-staining gray one component non-sag elastomeric gun grade polyurethane sealant meeting the requirements of ASTM C-920, Type S, Grade NS, Class 25, Use T.



PARAPET JOINT DETAILS

SUPERSTRUCTURE BILL OF MATERIAL

Bar	No.	Size	Length	Shape
d(E)	405	#5	42'-0"	—
a1(E)	293	#5	41'-0"	—
a2(E)	810	#6	6'-0"	—
b(E)	414	#5	25'-10"	—
b1(E)	129	#6	26'-5"	—
b2(E)	451	#5	21'-5"	—
d(E)	480	#5	3'-0"	┌
d1(E)	468	#5	2'-7"	┌
d2(E)	480	#4	3'-0"	┌
d3(E)	480	#4	3'-11"	┌
d4(E)	12	#5	2'-10"	┌
e(E)	144	#4	14'-8"	—
e1(E)	24	#4	19'-5"	—
e2(E)	24	#8	32'-3"	—
e3(E)	8	#8	19'-5"	—
e4(E)	32	#5	23'-9"	—
e5(E)	8	#5	19'-5"	—
m(E)	4	#6	41'-0"	—
m1(E)	6	#6	42'-11"	—
m2(E)	24	#6	10'-2"	—
m3(E)	10	#6	7'-3"	—
m4(E)	4	#6	2'-10"	—
s(E)	92	#5	5'-11"	┐
s1(E)	82	#4	11'-6"	┐
v(E)	84	#5	3'-6"	┐
Reinforcement Bars, Epoxy Coated		Pound		76,720
Concrete Superstructure		Cu. Yds.		307.3

Reinforcement bars designated (E) shall be epoxy coated.
Bars indicated thus 1 x 2 - #5 etc. indicates 1 line of bars with 2 lengths per line.

ILLINOIS DEPARTMENT OF TRANSPORTATION
SUPERSTRUCTURE DETAILS
 FAS RTE 518 (IL 49S) & FAP RTE 836 (C.H.22)
 OVER FAI RTE 74 (I-74)
 SECTION (10-92-8HB-1) BR
 CHAMPAIGN COUNTY
 STA. 1000+88.67 (I-74)
 STA. 50+00.00 (IL 49S & C.H. 22)
 STRUCTURE NO. 010-0277

REVISIONS	
NAME	DATE

LIN ENGINEERING, LTD.
 20 N. Chestnut Chatham, Illinois 62629
 (217) 483-4868 FAX (217) 483-4706
 Designed By: MTH Checked By: STD Drawn By: JMD
 Date: 11/02 File: 0100277.DGN