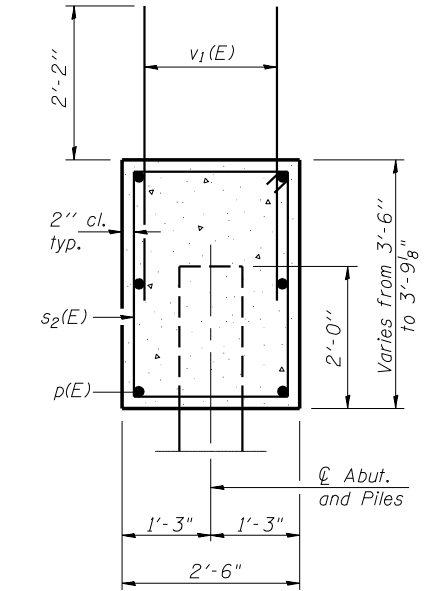
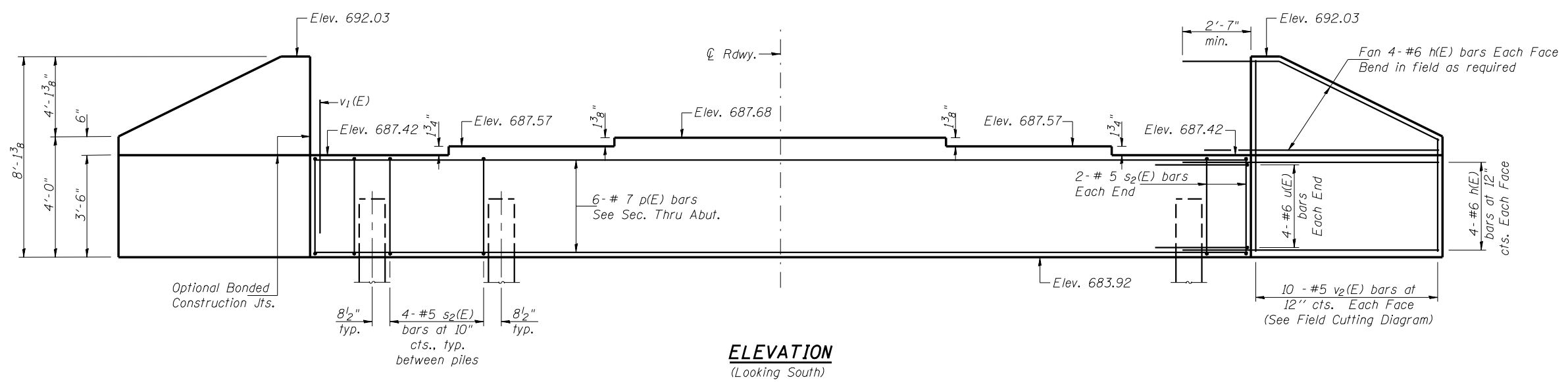
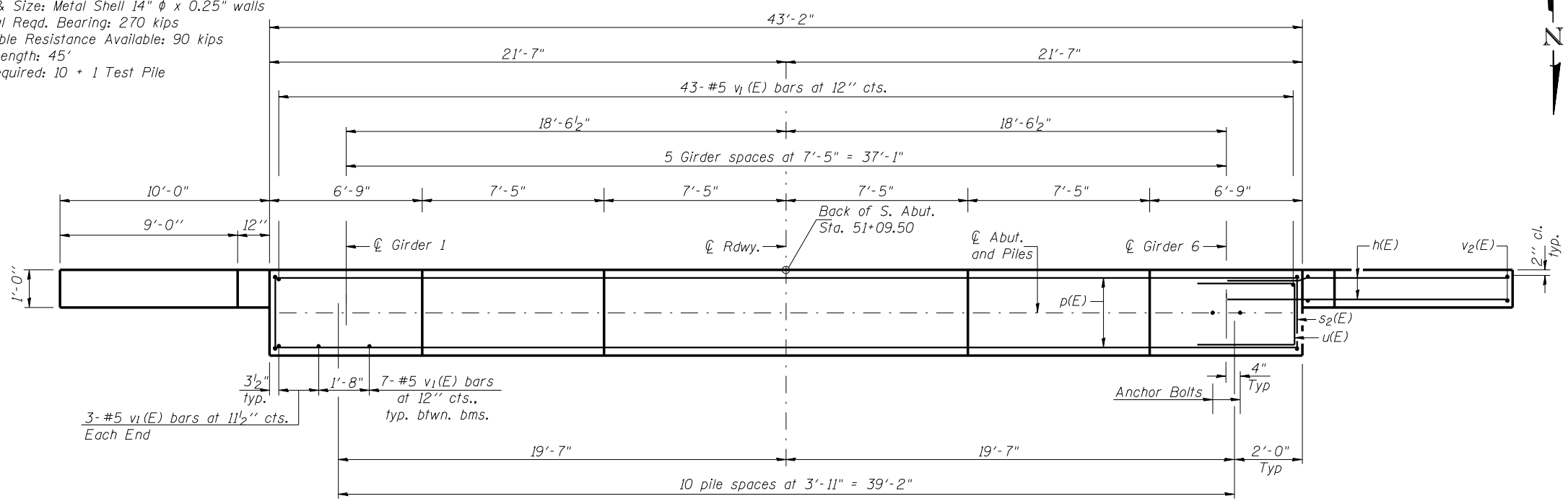


Notes: Four steps monolithically with cap.
 Reinforcement bars designated (E) shall be epoxy coated.
 Space reinforcement in cap to miss anchor bolts.

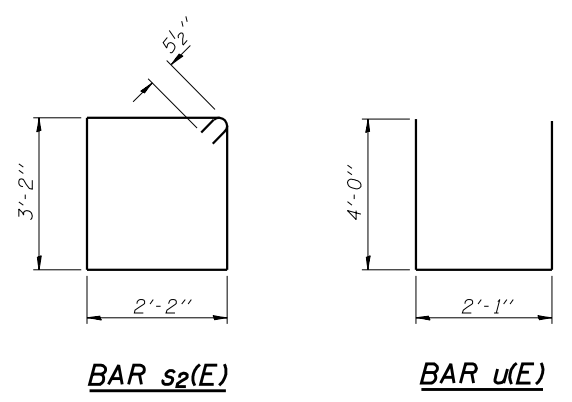
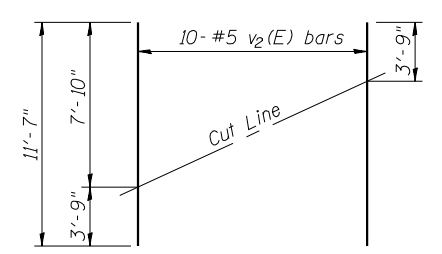


PILE DATA
 Type & Size: Metal Shell 14" φ x 0.25" walls
 Nominal Req'd. Bearing: 270 kips
 Allowable Resistance Available: 90 kips
 Est. Length: 45'
 No. Required: 10 + 1 Test Pile



BILL OF MATERIAL

Bar	No.	Size	Length	Shape
h(E)	32	#6	12'-6"	—
p(E)	6	#7	42'-11"	—
s ₂ (E)	44	#5	11'-7"	□
u(E)	8	#6	10'-1"	—
v ₁ (E)	82	#5	4'-4"	—
v ₂ (E)	20	#5	11'-7"	—
Concrete Structures		Cu. Yd.	18.3	
Reinforcement Bars, Epoxy Coated		Pound	2400	
Structure Excavation		Cu. Yd.	35.5	
Furnishing Metal Shell Piles 14" x 0.25"		Foot	450	
Driving Piles		Foot	450	
Test Pile Metal Shells		Each	1	



REVISIONS

NAME	DATE

LIN ENGINEERING, LTD.
 210 N. Chestnut, Champaign, Illinois 62629
 (217) 483-4868, Fax (217) 483-4706
 Designed By: MTH, Checked By: STD, Drawn By: JMD
 Date: 11/02, File: 0100277.DGN

ILLINOIS DEPARTMENT OF TRANSPORTATION
SOUTH ABUTMENT
 FAS RTE 518 (IL 49S) & FAP RTE 836 (C.H.22)
 OVER FAI RTE 74 (I-74)
 SECTION (10-92-8HB-1) BR
 CHAMPAIGN COUNTY
 STA. 1000+88.67 (I-74)
 STA. 50+00.00 (IL 49S & C.H. 22)
 STRUCTURE NO. 010-0277