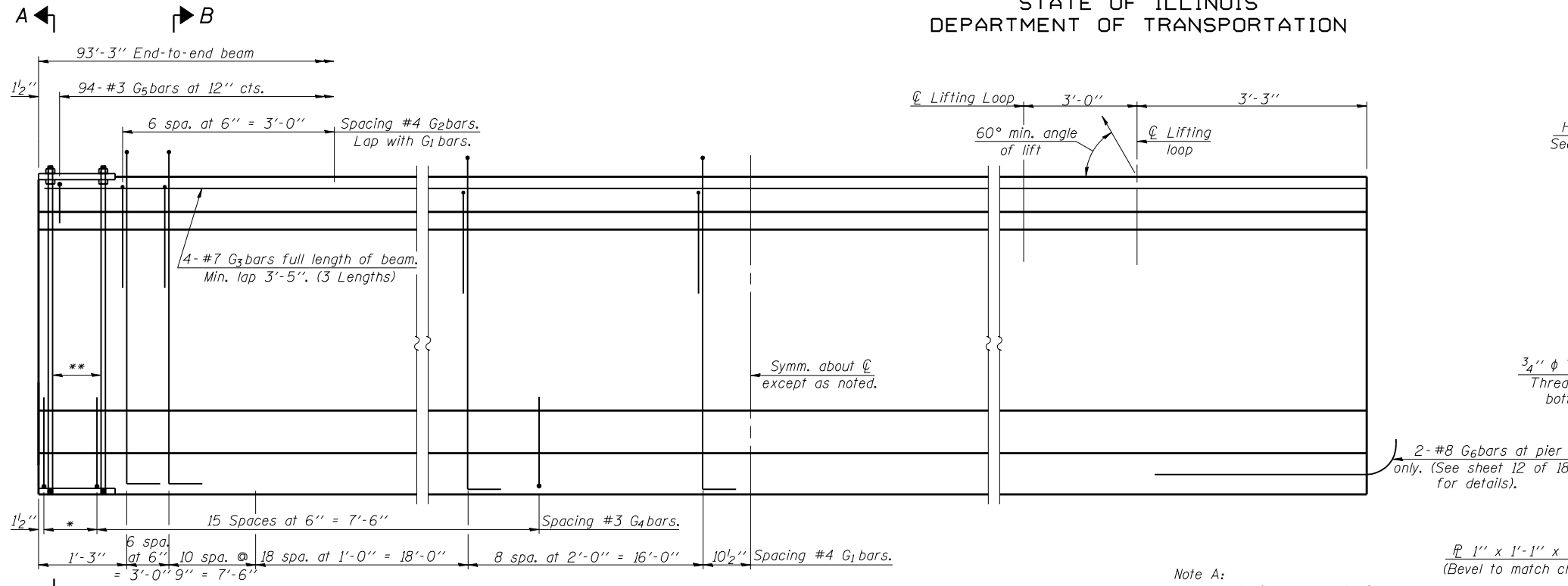


STATE OF ILLINOIS
DEPARTMENT OF TRANSPORTATION

ROUTE NO.	SECTION	COUNTY	TOTAL SHEETS	SHEET NO.
F.A.P. 721	(113BR) BR	DEWITT	81	36
FED. ROAD DIST. NO. 7	ILLINOIS	FED. AID PROJECT		

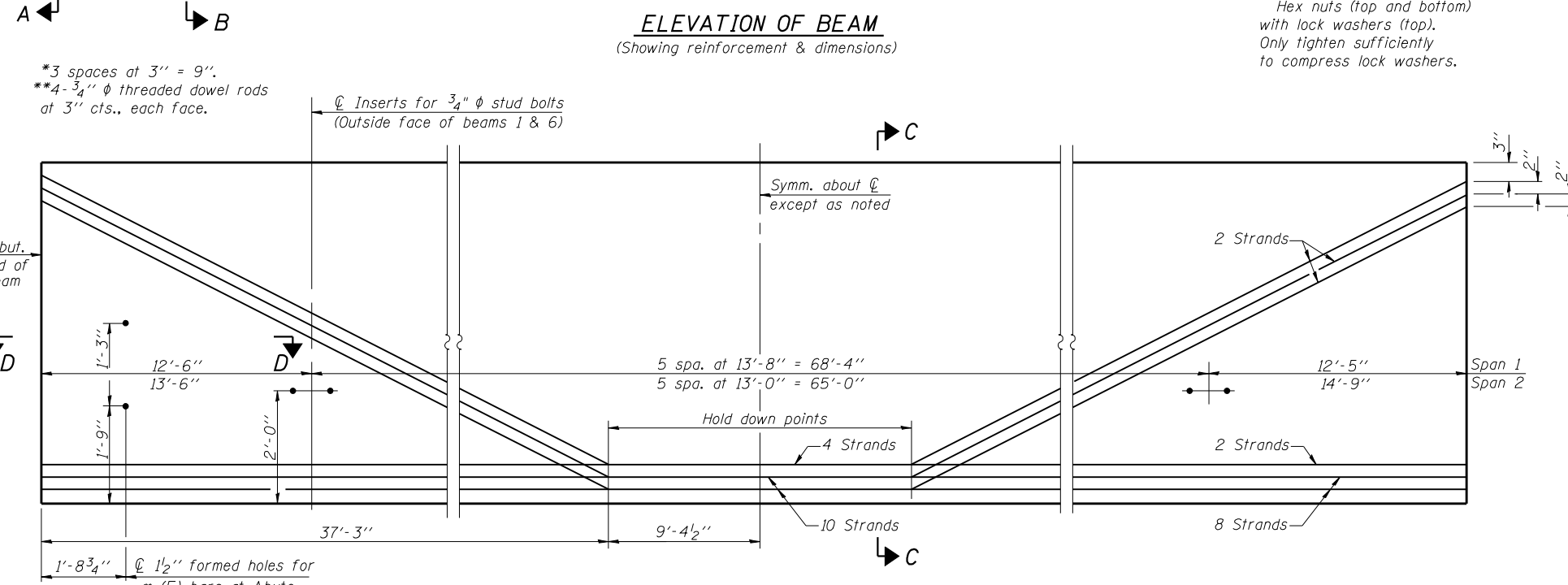
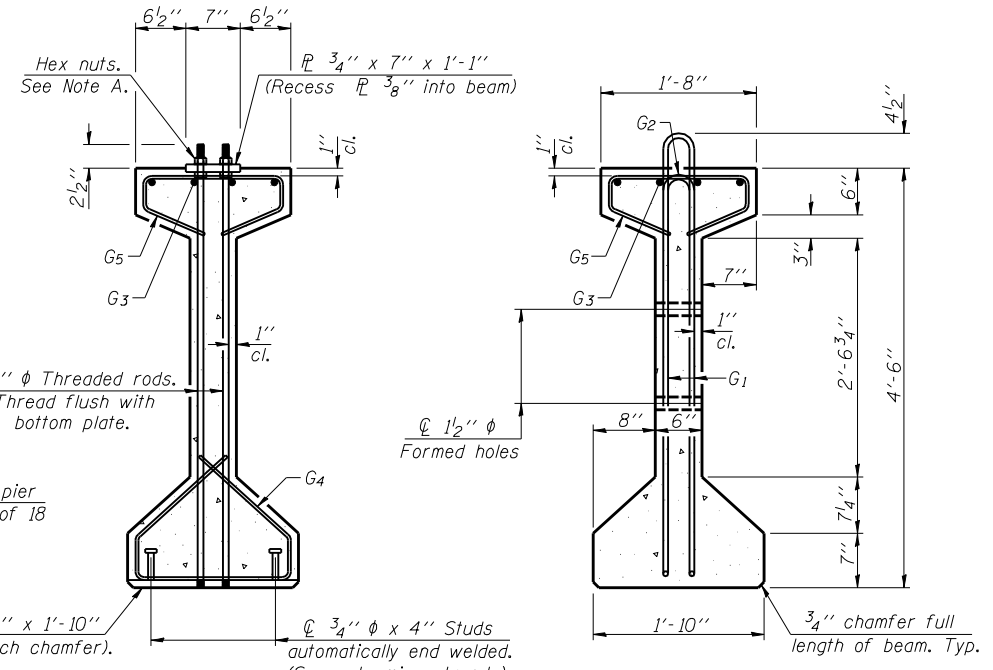
SHEET NO. 11
18 SHEETS

Contract #70232

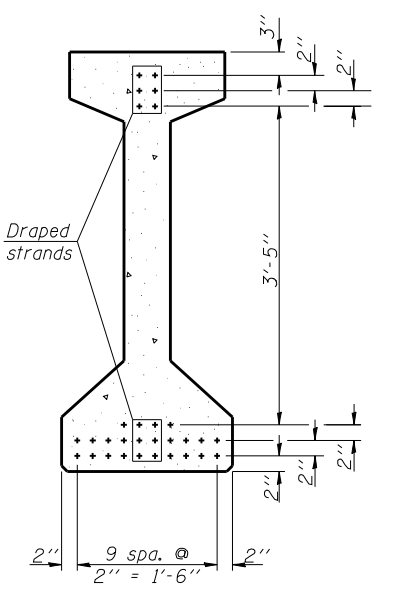


ELEVATION OF BEAM
(Showing reinforcement & dimensions)

Note A:
Hex nuts (top and bottom) with lock washers (top). Only tighten sufficiently to compress lock washers.



ELEVATION OF BEAM
(Showing prestressing steel)

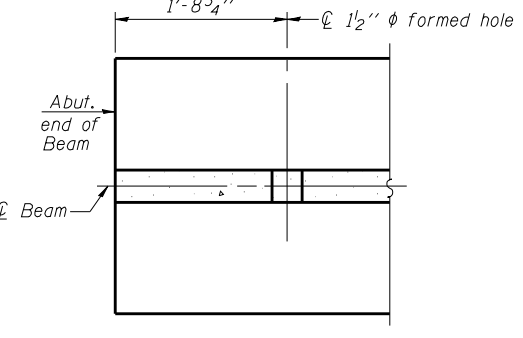


SECTION C-C

**BAR LIST
ONE BEAM ONLY**

Bar	No.	Size	Length	Shape
G1	86	#4	10'-5"	nl
G2	14	#4	5'-4"	n
G3	12	#7	33'-4"	
G4	38	#3	4'-11"	U
G5	94	#3	3'-5"	U
G6	2	#8	3'-9"	J

Notes:
See sheet 12 of 18 for additional details and Bill of Material.
Required release strength, f'ci, shall be 5000 psi.



SECTION D-D

DESIGNED Phillip R. Litchfield
CHECKED Nick R. Barnett
DRAWN R. Sommer
CHECKED P.R.L./N.R.B.

September 6, 2007

EXAMINED *Thomas J. Domagalaki*
ENGINEER OF BRIDGE DESIGN

PASSED *Ralph E. Anderson*
ENGINEER OF BRIDGES AND STRUCTURES

54" PPC I-BEAM
F.A.P. ROUTE 721 - SECTION (113BR)BR
DEWITT COUNTY
STATION 244+07.00
STRUCTURE NO. 020-0062