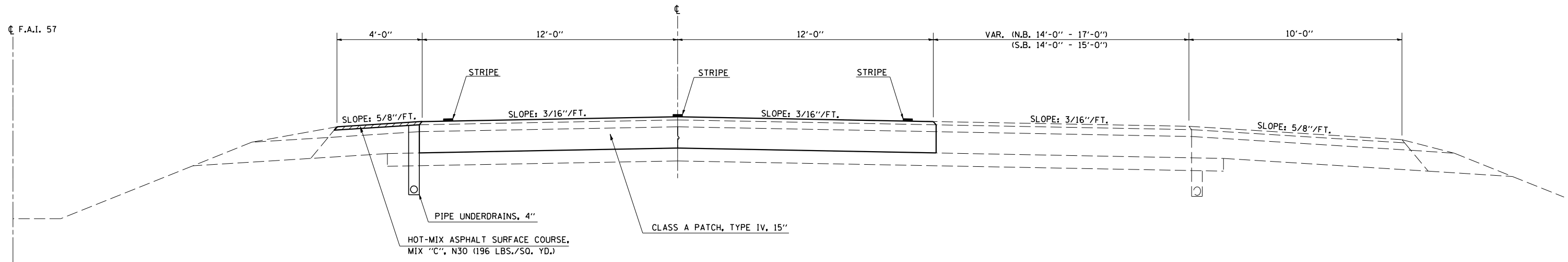


F.A.I. RTE.	SECTION	COUNTY	TOTAL SHEETS	SHEET NO.
57		CHAMPAIGN	71	16
STA.		TO STA.		
FED. ROAD DIST. NO.	ILLINOIS	FED. AID PROJECT		

10C33RS-4,(34-1,35,36,37)RS-2]

PROPOSED TYPICAL CROSS SECTION (LEG 1) ⑤

S. N. 010-0018 & 010-0019
STATION 596+88.00 TO STATION 598+68.00

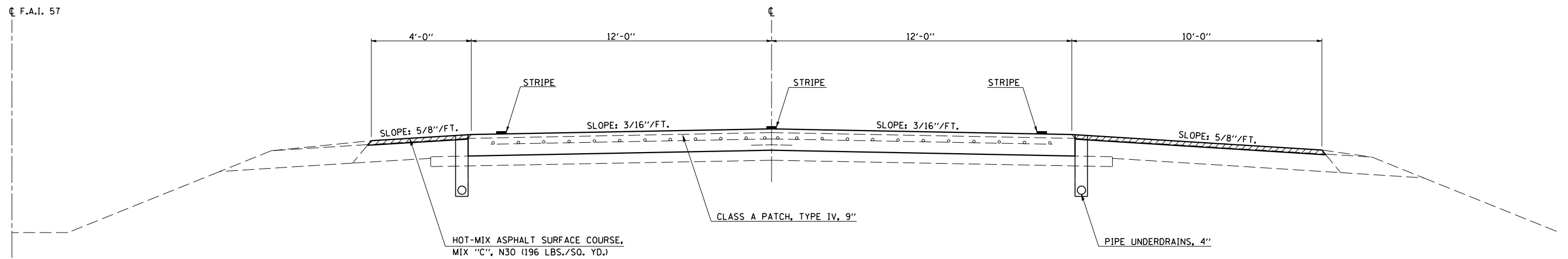


 HOT-MIX ASPHALT SURFACE REMOVAL, 1 3/4"

NOTE: STRINGLINE MUST BE ERECTED 200' PRIOR TO AND FOLLOWING CLASS A PATCHES WHEN PLACING BINDER AND SURFACE.

PROPOSED TYPICAL CROSS SECTION (LEG 1) ⑥

S. N. 010-0100
STATION 625+76.00 TO STATION 627+56.00



 HOT-MIX ASPHALT SURFACE REMOVAL, 1 3/4"

NOTE: STRINGLINE MUST BE ERECTED 200' PRIOR TO AND FOLLOWING CLASS A PATCHES WHEN PLACING BINDER AND SURFACE.

PLOT DATE = 8/20/2007
FILE NAME = c:\projects\0504604 (v8)\70404typ\cds.dgn
PLOT SCALE = 1/8" = 1'-0"
USER NAME = collierdw