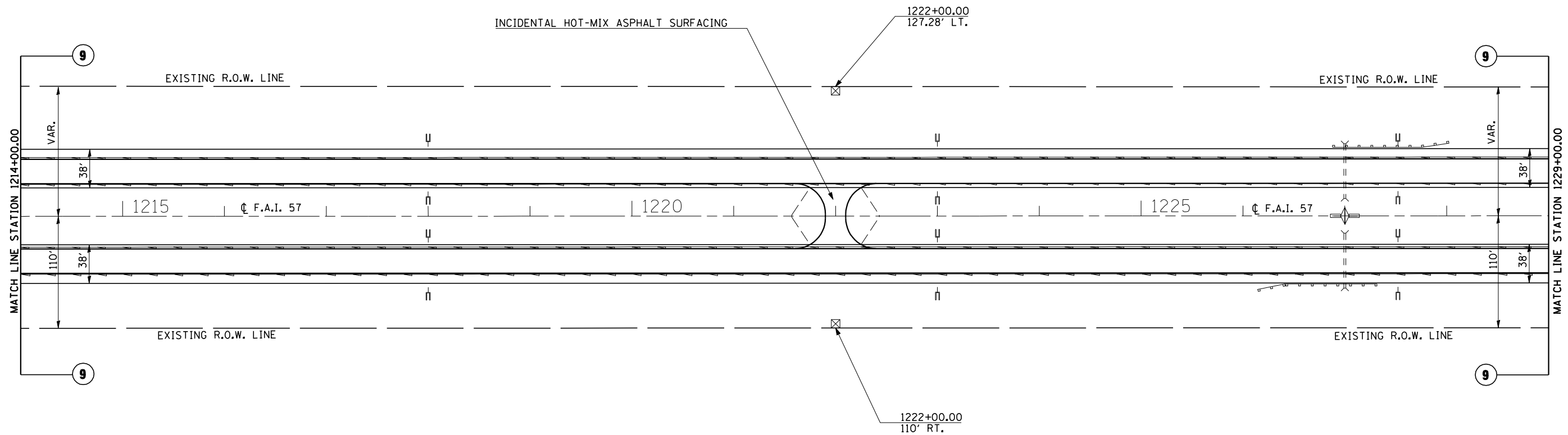
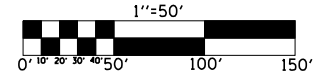


F.A.I. RTE.	SECTION	COUNTY	TOTAL SHEETS	SHEET NO.
57	.	CHAMPAIGN	71	58
STA. 1214+00.00		TO STA. 1229+00.00		
FED. ROAD DIST. NO.	ILLINOIS	FED. AID PROJECT		

•10[33RS-4,(34-1,35,36,37)RS-21

SECTION 9, T. 21 N., R. 9 E., 3RD. P.M.



PLOT DATE = 8/20/2007
 FILE NAME = c:\projects\504604 (v8)\70404\sheets\dgn
 PLOT SCALE = 105.8624' / IN.
 USER NAME = colleterbw

ILLINOIS DEPARTMENT OF TRANSPORTATION

PLAN SHEETS

F.A.I. ROUTE 57
 SECTION 10[33RS-4,(34-1,35,36,37)RS-21
 CHAMPAIGN COUNTY

SCALE: 1" = 50'
 DATE: 08/03/06

DRAWN BY: B.B.P.
 CHECKED BY: B.C.S.