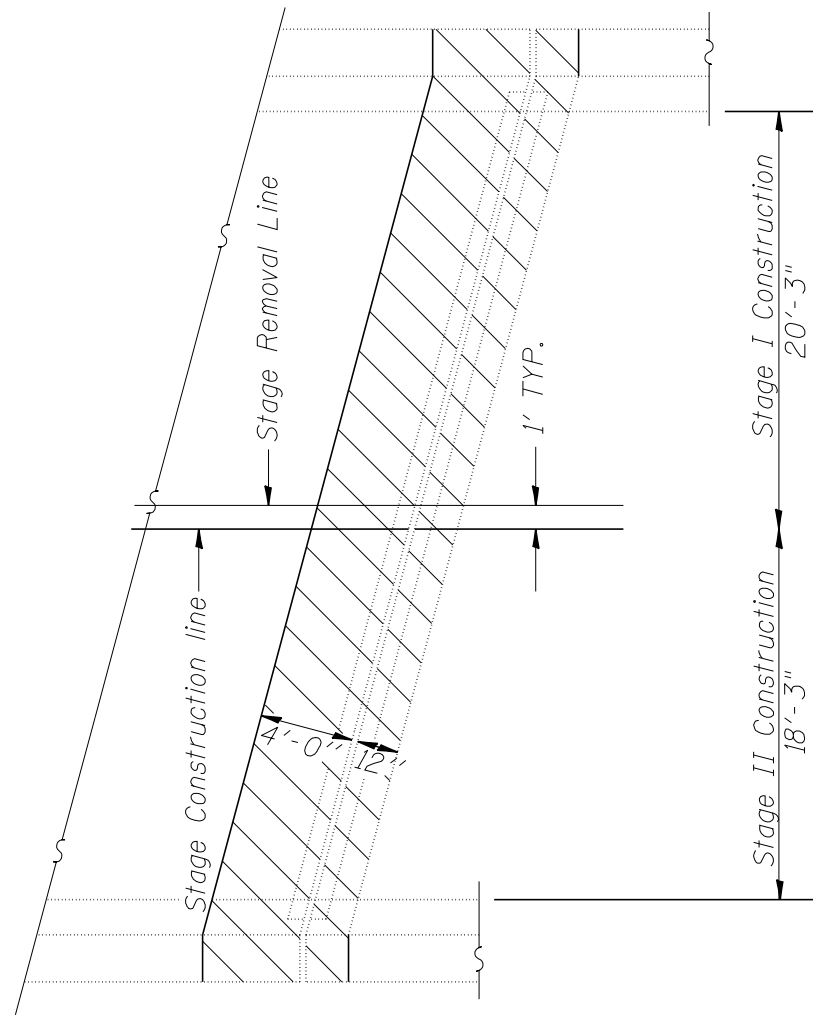
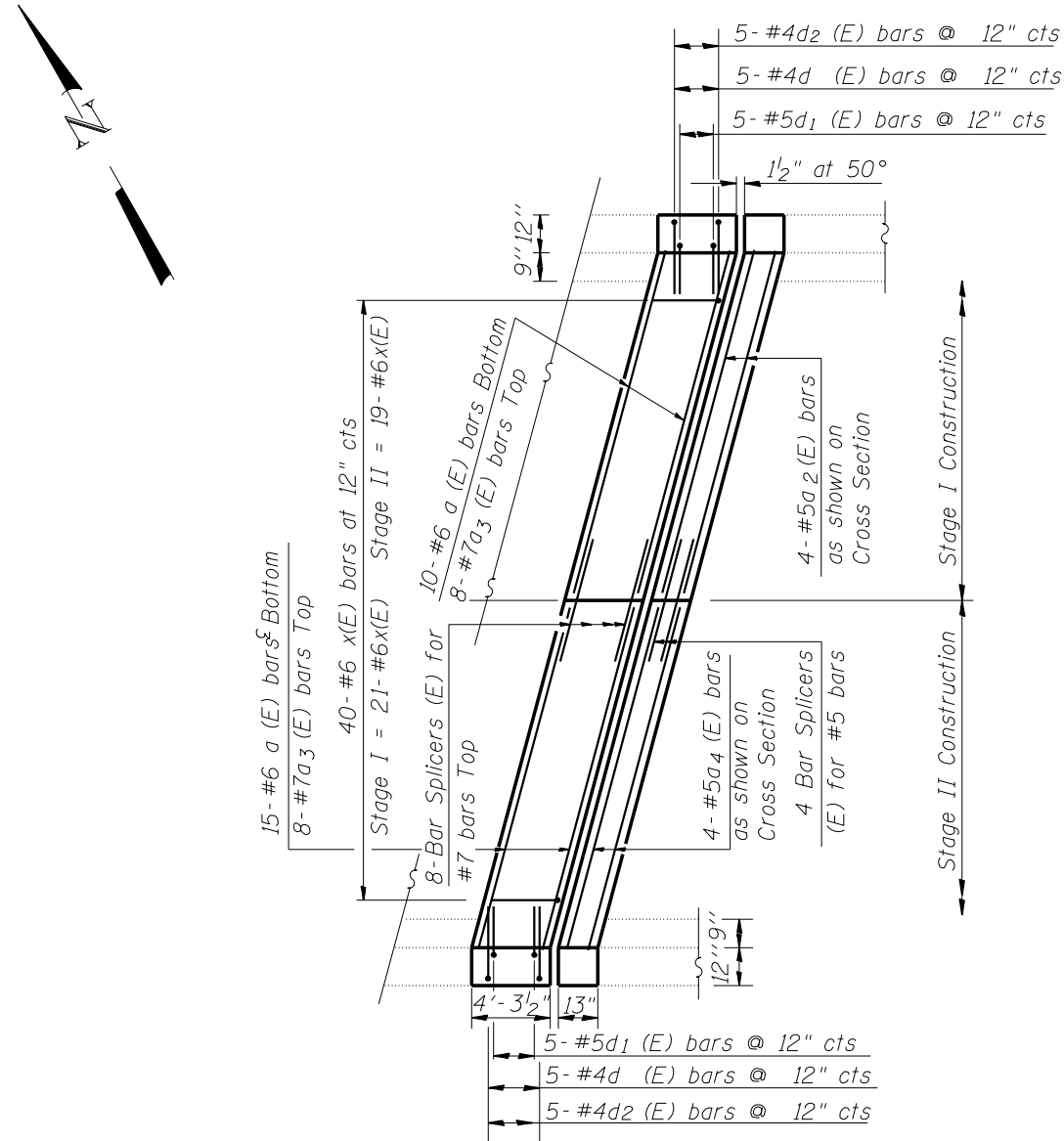


JOINT REPAIR AT EAST ABUTMENT

SN 057-0129



EXISTING PARTIAL PLAN
JOINT AT EAST ABUTMENT



PROPOSED PARTIAL PLAN
JOINT AT EAST ABUTMENT

BILL OF MATERIAL

Bar	No.	Size	Length	Shape
a (E)	25	#6	6'-9"	—
a ₁ (E)	8	#7	22'-9"	—
a ₂ (E)	4	#5	22'-9"	—
a ₃ (E)	8	#7	20'-7"	—
a ₄ (E)	4	#5	20'-7"	—
d(E)	10	#4	4'-7"	J
d(E)	10	#5	3'-5"	J
d ₂ (E)	10	#4	2'-1"	□
x(E)	40	#6	7'-10"	┌
Reinforcement Bars, Epoxy Coated			Pound	1,695
Bar Splicers			Each	12

Reinforcement bars designated (E) shall be epoxy coated.

Hatched area indicates Concrete Removal.

See Sheet 8 of 14 for Section Thru Parapet and Proposed Joint Section

