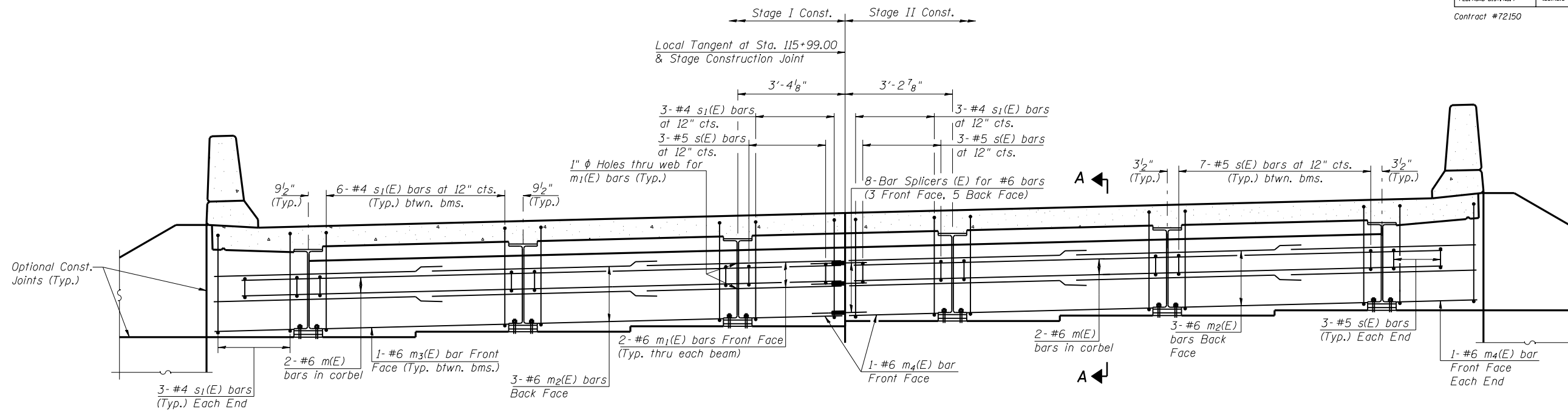
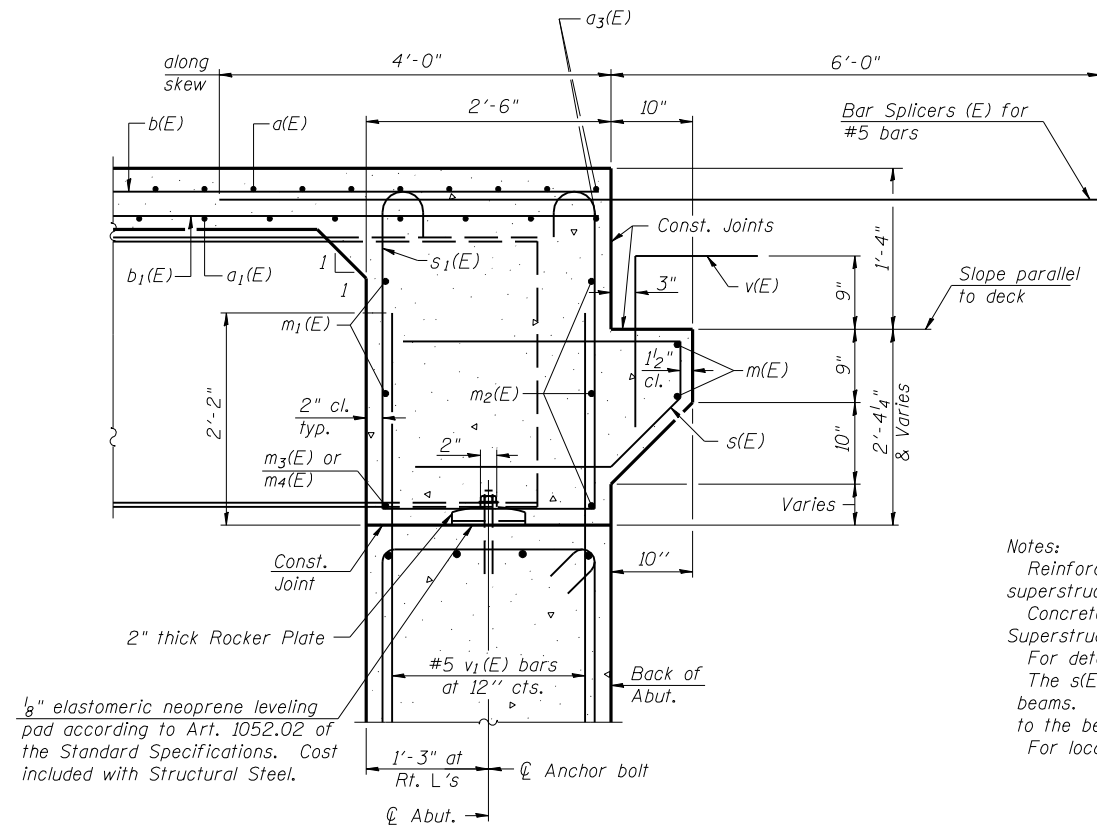


Contract #72150



DIAPHRAGM ELEVATION AT SOUTH ABUTMENT

(Looking South)
(North Abut. mirrored about Local Tangent)



SECTION A-A

(Dim. at Rt. L's except as noted)

Notes:
Reinforcement bars in diaphragm are billed with superstructure on sheet 7 of 15.
Concrete in diaphragm is included with Concrete Superstructure on sheet 7 of 15.
For details of bars s(E) & s1(E) see sheet 7 of 15.
The s(E) and s1(E) bars shall be placed parallel to the beams. Spacing for these bars shall be at right angles to the beams.
For location of holes thru web, see sheet 9 of 15.

MIN. BAR LAP

#6 bar = 2'-9"

ILLINOIS DEPARTMENT OF TRANSPORTATION
CONCRETE END DIAPHRAGMS
ILLINOIS ROUTE 127 OVER
LITTLE BEARCAT CREEK
F.A.P. ROUTE 42 - SECTION 106 (B-2)
MONTGOMERY COUNTY
STATION 115+99.00
STRUCTURE NO. 068-0507

Lin Engineering, Ltd.
Consulting Engineers
Chatham, Illinois

Designed By: RKM
Checked By: MTH
Date: 04/07

Drawn By: AUF
File: 068-0507.DGN

REVISIONS	
NAME	DATE

\$FILEABBREV\$

Aug-16-2007 11:20:13AM 1:20:13 AM