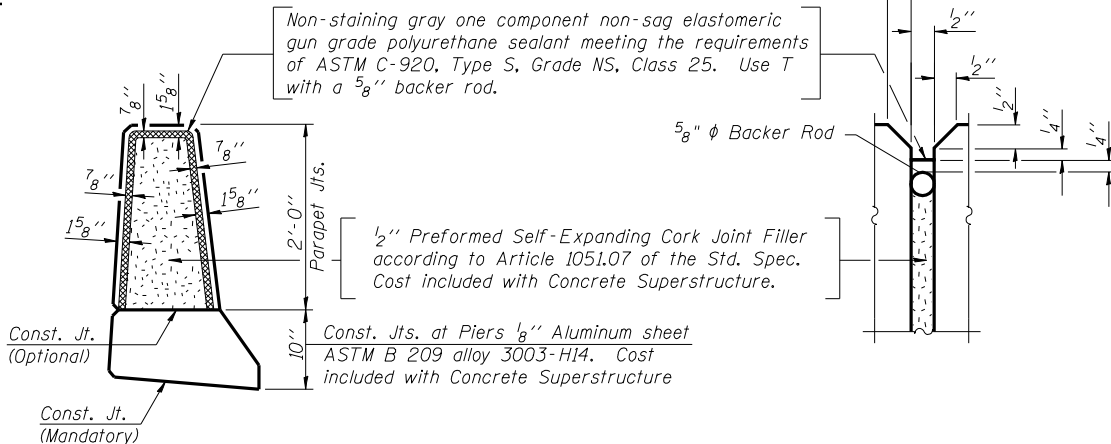
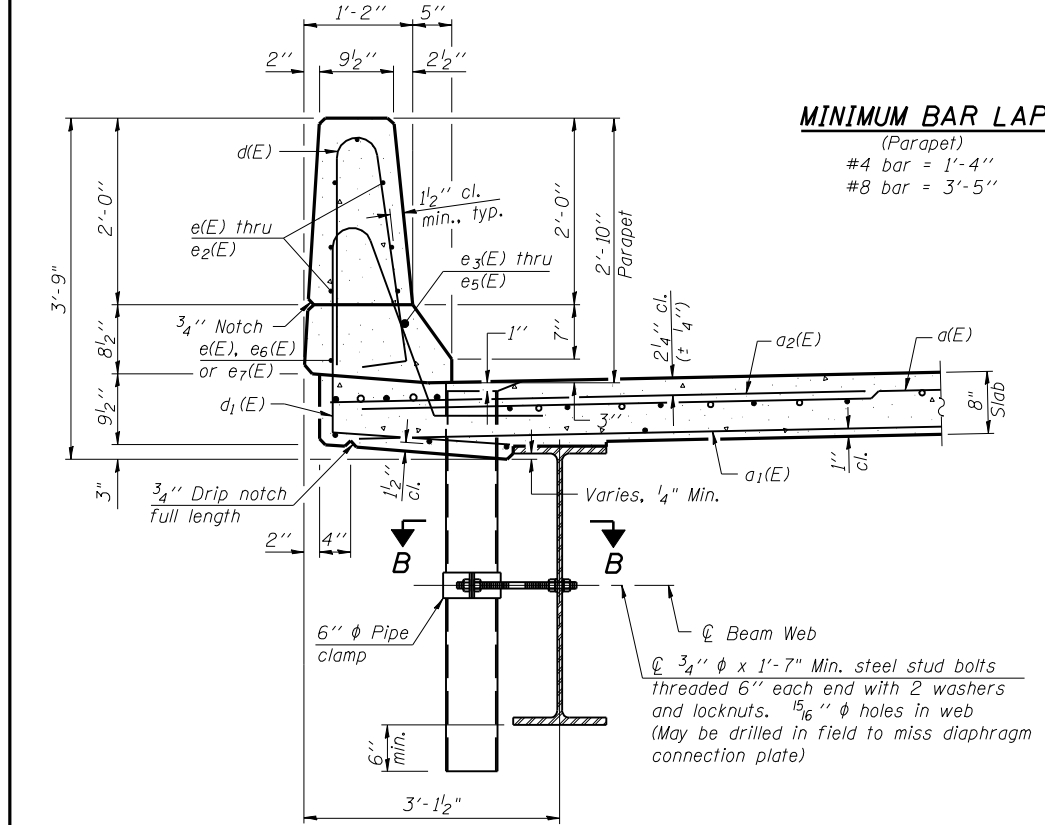


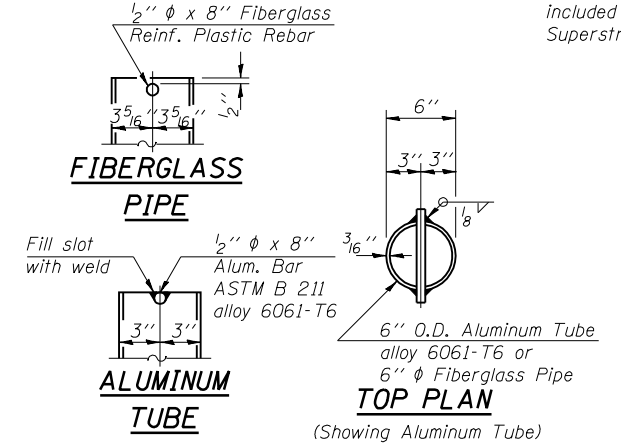
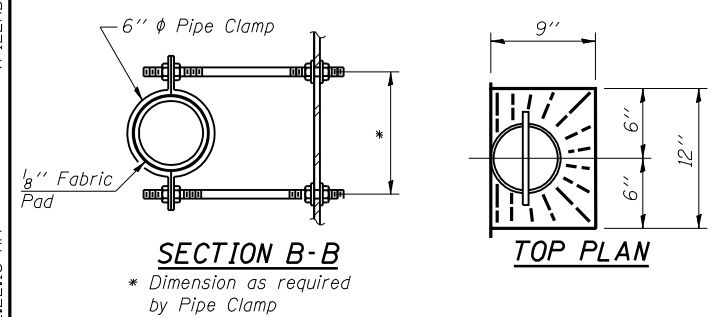
INSIDE ELEVATION OF PARAPET
(Dimensions measured along inside face of parapet)



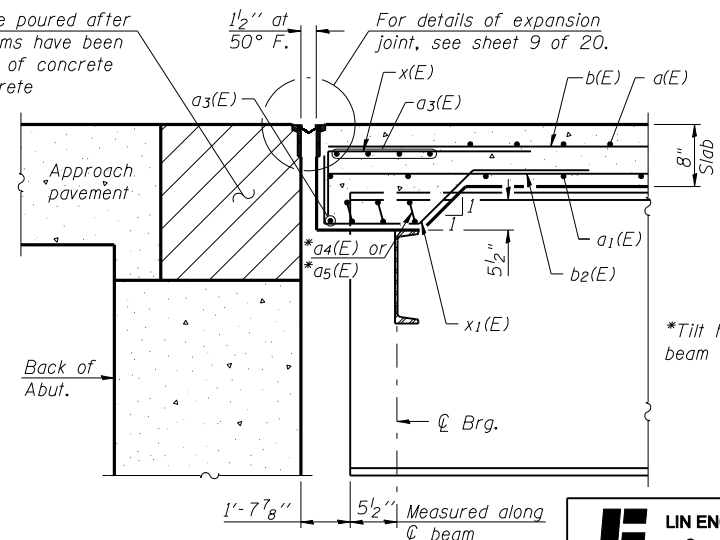
PARAPET JOINT DETAILS

Notes:
Floor drains need not be painted.
Fiberglass pipe shall conform to ASTM D 2996, with short-time rupture strength hoop tensile stress of 30,000 p.s.i. minimum.

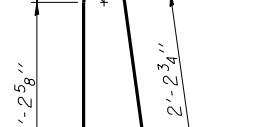
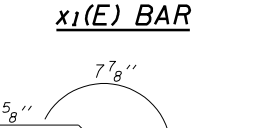
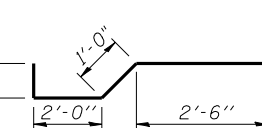
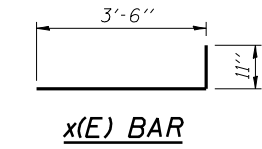
SECTION THRU PARAPET



Hatched area to be poured after superstructure forms have been removed. Quantity of concrete included with Concrete Superstructure.



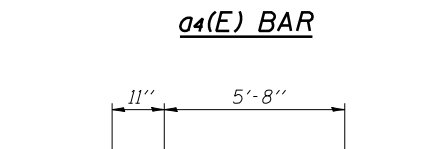
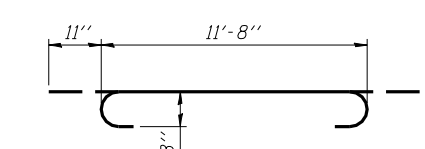
SECTION A-A



SUPERSTRUCTURE BILL OF MATERIAL

Bar	No.	Size	Length	Shape
a(E)	590	#5	19'-0"	—
a1(E)	470	#5	18'-4"	—
a2(E)	288	#6	6'-0"	—
a3(E)	20	#8	34'-6"	—
a4(E)	24	#8	13'-6"	—
a5(E)	12	#8	6'-7"	—
b(E)	336	#5	26'-5"	—
b1(E)	76	#6	33'-4"	—
b2(E)	252	#5	30'-0"	—
d(E)	436	#5	5'-7"	—
d1(E)	430	#5	8'-0"	—
e(E)	64	#4	8'-10"	—
e1(E)	84	#4	17'-4"	—
e2(E)	42	#4	18'-9"	—
e3(E)	8	#8	8'-10"	—
e4(E)	8	#8	28'-1"	—
e5(E)	4	#8	30'-2"	—
e6(E)	8	#4	27'-0"	—
e7(E)	4	#4	29'-2"	—
x(E)	72	#5	4'-5"	—
x1(E)	72	#5	6'-5"	—
Reinforcement Bars, Epoxy Coated		Pound		57300
Concrete Superstructure		Cu. Yds.		264.6
Floor Drains		Each		14

Bars indicated thus 1 x 2-#4 etc. indicates 1 line of bars with 2 lengths per line.



REVISIONS	
NAME	DATE

LIN ENGINEERING, LTD.
Consulting Engineers
Chatham, Illinois

Designed By: RKM
Checked By: MTH
Date: 04/2007
File: 068-0506.DGN

Drawn By: AJP

ILLINOIS DEPARTMENT OF TRANSPORTATION
SUPERSTRUCTURE DETAILS
ILLINOIS ROUTE 127 OVER
BEARCAT CREEK
F.A.P. ROUTE 42 - SECTION 106 (B-1)
MONTGOMERY COUNTY
STA. 126+58.45
STRUCTURE NO. 068-0506

Aug-16-2007 11:22:13AM 1:22:13 AM \$FILEABBREV\$