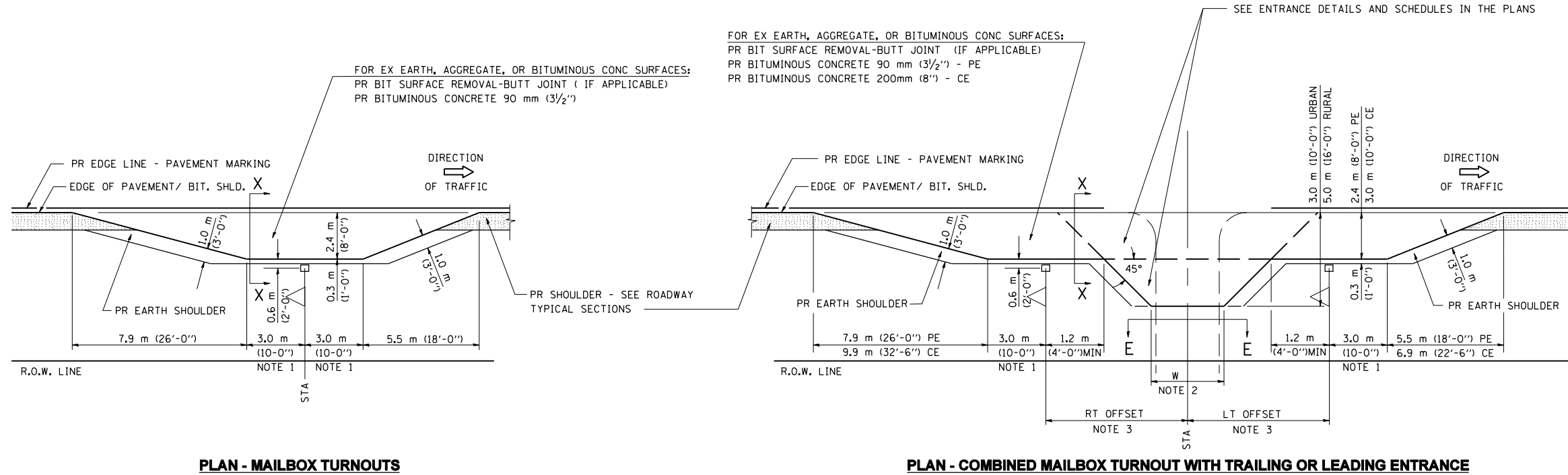


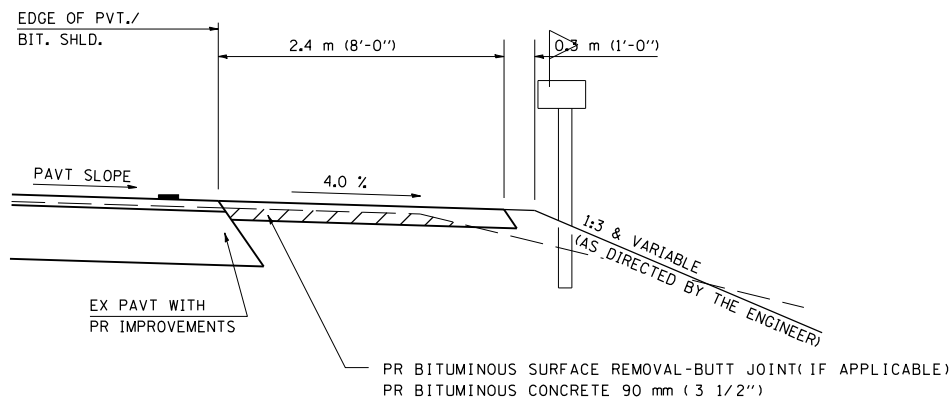
F.A.P. RTE.	SECTION	COUNTY	TOTAL SHEETS	SHEET NO.
42	106(B-1,B-2)	MONTGOMERY	61	56
STA. 112+50.00		TO STA. 130+70.00		
FED. ROAD DIST. NO.	ILLINOIS	FED. AID PROJECT		

DETAILS OF MAILBOX TURNOUTS



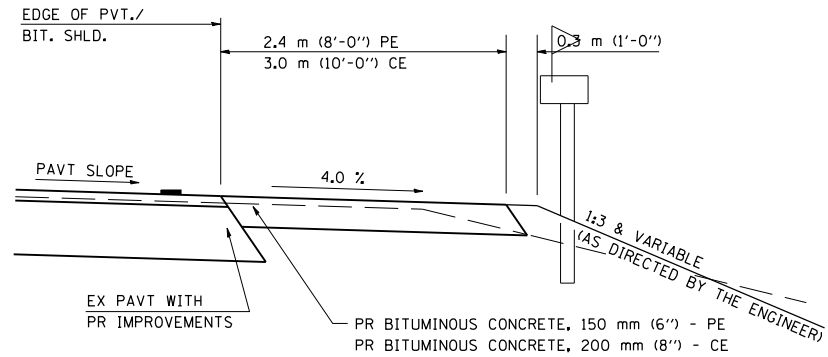
PLAN - MAILBOX TURNOUTS

PLAN - COMBINED MAILBOX TURNOUT WITH TRAILING OR LEADING ENTRANCE



SECTION X-X THRU MAILBOX TURNOUT
 ALSO APPLIES TO MAILBOX TURNOUTS COMBINED WITH
 EX EARTH, AGGREGATE, OR BITUMINOUS PE & FE

(DETAIL APPLIES WHEN M.B. TURNOUT DOES NOT EXIST.
 IF EXISTING, TREAT SAME AS ENTRANCE.)



SECTION X-X THRU MAILBOX TURNOUT
 COMBINED WITH EX BITUMINOUS CONC & PC CONC PE & CE

(DETAIL APPLIES WHEN M.B. TURNOUT DOES NOT EXIST.
 IF EXISTING, TREAT SAME AS ENTRANCE.)

- NOTE 1 IF MORE THAN ONE MAILBOX IS PRESENT, DIMENSION FROM CENTER OF END MAILBOX.
- NOTE 2 FOR ENTRANCE LAYOUT DIMENSIONS AND SECTIONS A-A & E-E REFER TO THE SCHEDULES IN THE PLANS.
- NOTE 3 BOTH LT OR RT OFFSETS FOR MAILBOX SHOWN USE OFFSET DIMENSION PER SCHEDULE AND REFER TO LAYOUT SHOWN ON THE PLAN.

ALL DIMENSIONS ARE IN MILLIMETERS (INCHES)
 UNLESS OTHERWISE SHOWN.

SHEET 2 OF 3

REVISIONS	
NAME	DATE
JCN	2/19/03
JCN	4/01/04

ILLINOIS DEPARTMENT OF TRANSPORTATION
 DISTRICT SIX DETAILS FOR RURAL / URBAN ENTRANCE, MAILBOX TURNOUT & SIDEROADS W/O CONC. GUTTER(PPP - PROJECTS)

FAP 42 (IL RTE. 127)
 SECTION 106 (B-1, B-2)
 MONTGOMERY COUNTY

SCALE: VERT. DRAWN BY CADD
 HORIZ. CHECKED BY JCN
 DATE: FEBRUARY 23, 1999