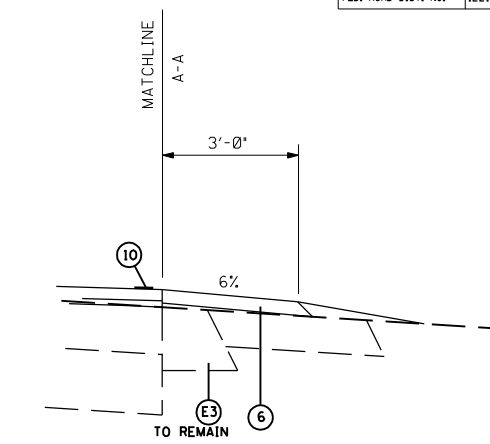
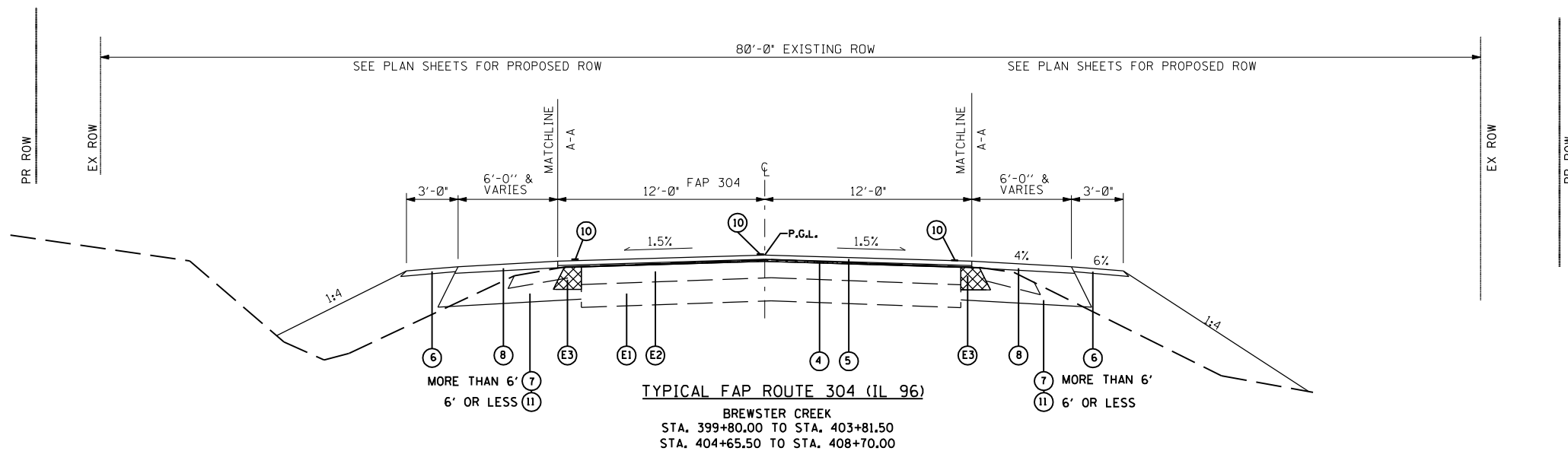
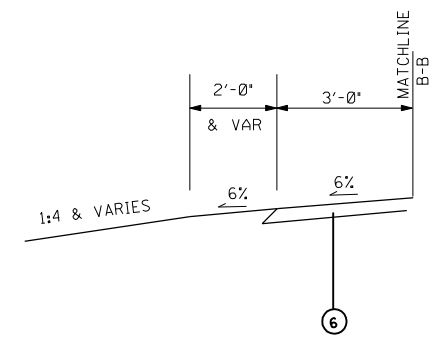


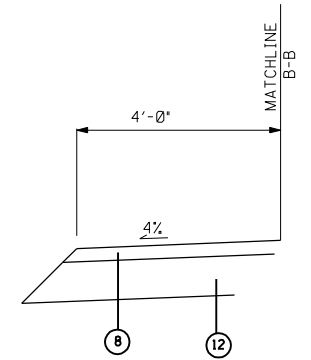
| F.A.P. RTE. | SECTION | COUNTY | TOTAL SHEETS | SHEET NO. |
|---------------------|-------------|------------------|--------------|-----------|
| 304 | 2(B-5, B-6) | PIKE | 112 | 21 |
| STA. | | TO STA. | | |
| FED. ROAD DIST. NO. | ILLINOIS | FED. AID PROJECT | | |



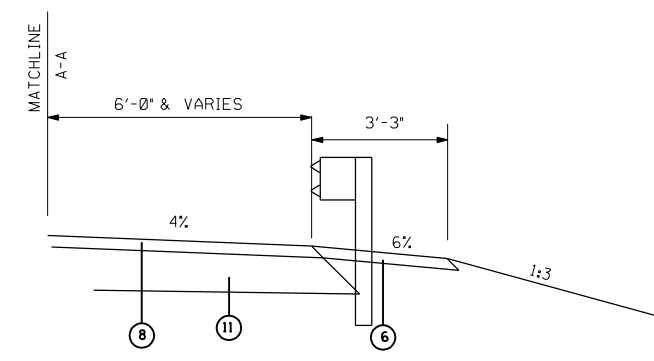
TYPICAL FAP ROUTE 304 (IL 96)
 BREWSTER CREEK
 STA. 399+80.00 LT TO STA. 400+25.00 LT
 STA. 399+80.00 RT TO STA. 401+00.00 RT



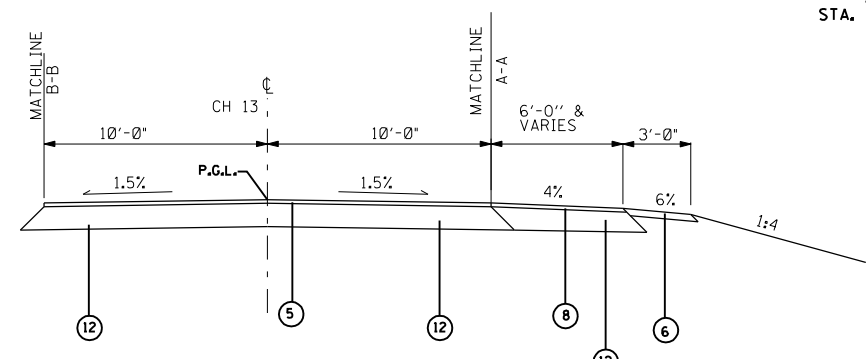
TYPICAL COUNTY HIGHWAY 13
 BREWSTER CREEK
 STA. 10+51.96 LT TO STA 12+00.00 LT



TYPICAL COUNTY HIGHWAY 13
 BREWSTER CREEK
 STA. 10+12.20 LT TO STA 10+51.96 LT



TYPICAL SHOULDER AT GUARDRAIL LOCATIONS
 FAP ROUTE 304 (IL 96)
 STA. 404+12.20 LT TO STA. 406+00.00 LT
 STA. 403+37.50 RT TO STA. 406+62.50 RT
 COUNTY HIGHWAY 13
 STA. 10+29.53 RT TO STA. 11+18.00 RT



TYPICAL COUNTY HIGHWAY 13
 BREWSTER CREEK
 STA. 10+12.20 TO STA 12+00.00

LEGEND

- (E1) EXISTING AGGREGATE BASE COURSE
- (E2) EXISTING BITUMINOUS RESURFACING - 6 1/4"
- (E3) EXISTING BITUMINOUS SHOULDERS - 8"
- (4) PROPOSED LEVELING BINDER (MACHINE METHOD) (3/4" & VAR)
- (5) PROPOSED HOT-MIX ASPHALT SURFACE COURSE, MIX C, N50 (1 1/2")
- (6) PROPOSED AGGREGATE SHOULDER, TYPE B (2 1/4" & VAR)
- (7) PROPOSED HOT-MIX ASPHALT BASE COURSE, 12"
- (8) PROPOSED HOT-MIX ASPHALT SHOULDERS (2 1/2" & VARIES)
- (9) PROPOSED GRANULAR CULVERT BACKFILL
- (10) PROPOSED PAINT PAVEMENT MARKING - LINE 5"
- (11) PROPOSED HOT-MIX ASPHALT BASE COURSE WIDENING, 12"
- (12) PROPOSED HOT-MIX ASPHALT BASE COURSE, 8"

| REVISIONS | |
|-----------|------|
| NAME | DATE |
| | |
| | |
| | |
| | |
| | |
| | |
| | |
| | |
| | |
| | |

ILLINOIS DEPARTMENT OF TRANSPORTATION

BREWSTER CREEK
TYPICAL SECTIONS
 SHEET 1 OF 2
 FAP ROUTE 304 (IL 96)
 SECTION 2(B-5, B-6)
 PIKE COUNTY

SCALE: VERT. NTS
 HORIZ. NTS
 DATE: OCTOBER 2005

DRAWN BY: BNK
 CHECKED BY: DJK

PLOT DATE = 7/31/2007
 FILE NAME = c:\p\projects\652484\pabo_r\mol\m075-0039\sh\typical.pba.dgn
 PLOT SCALE = 1/8"=1'-0" / IN.
 USER NAME = laughlin-1