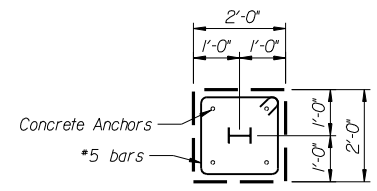
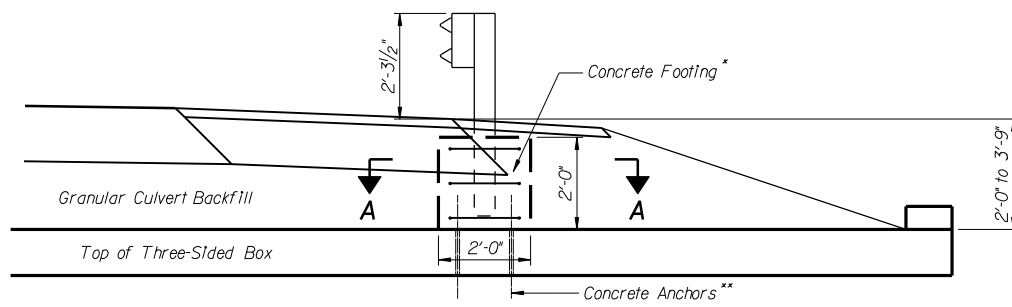
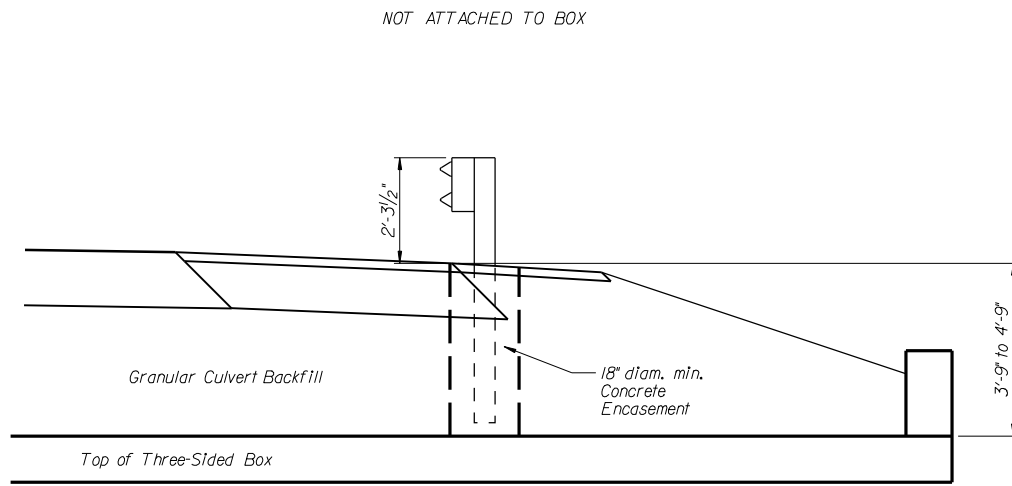
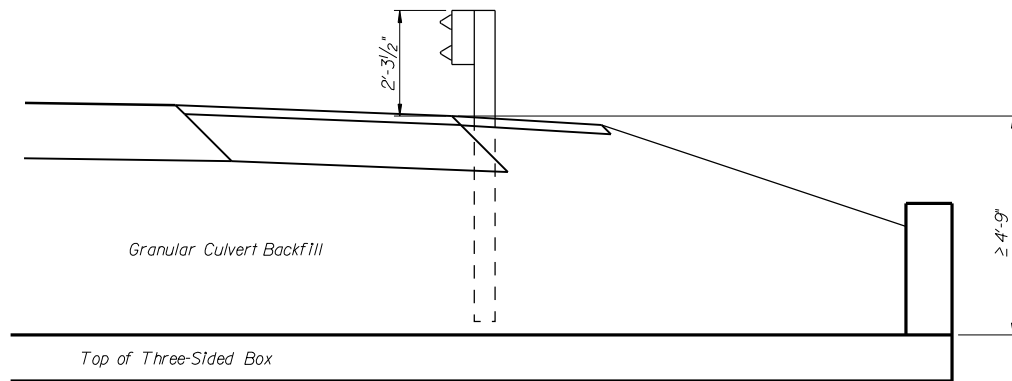


F.A.P. RTE.	SECTION	COUNTY	TOTAL SHEETS	SHEET NO.
304	2(B-5,B-6)	PIKE	112	51
STA.		TO STA.		
FED. ROAD DIST. NO. 6		ILLINOIS FED. AID PROJECT		

TOTAL BILL OF MATERIAL

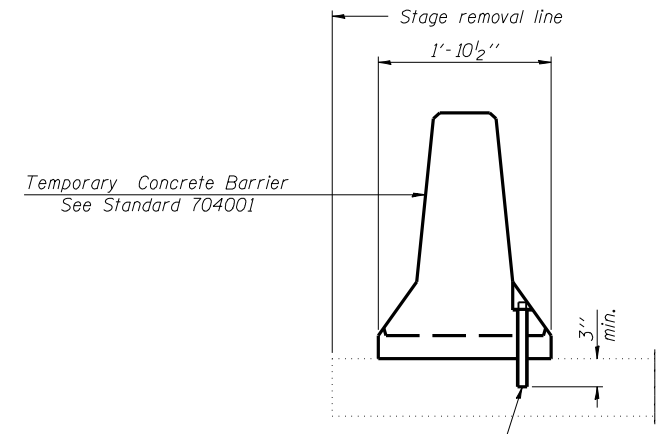
Item	Unit	Total
STONE DUMPED RIPRAP, CLASS A4	TON	99
STONE DUMPED RIPRAP, CLASS A5	TON	1,913
FILTER FABRIC	SQ. YD.	1,915
STRUCTURE EXCAVATION	CU. YD.	1,014
CONCRETE STRUCTURES	CU. YD.	94.0
REINFORCEMENT BARS, EPOXY COATED	POUND	9,980
FURNISHING STEEL PILES HPI0x42	FOOT	1,250
FURNISHING STEEL PILES HPI2x63	FOOT	1,840
DRIVING PILES	FOOT	3,090
TEST PILE STEEL HPI0x42	EACH	4
TEST PILE STEEL HPI2x63	EACH	2
CONCRETE ENCASEMENT	CU. YD.	11.4
PILE SHOES	EACH	60
TEMPORARY SHEET PILING	SQ. FT.	1,783
NAME PLATES	EACH.	1
CONCRETE GUTTER, TYPE B	FOOT	71
STEEL PLATE BEAM GUARD RAIL, ATTACHED TO STRUCTURES	FOOT	100
REMOVAL OF EXISTING STRUCTURES NO.2	EACH	1
THREE SIDED PRECAST CONCRETE STRUCTURE	FOOT	59
GEOTEXTILE RETAINING WALL	SQ. FT.	176
RIPRAP SLURRY	SQ. YD.	1,788
GRANULAR CULVERT BACKFILL	CU. YD.	488
UNDERWATER STRUCTURE EXCAVATION PROTECTION - LOCATION 1	EACH	1
UNDERWATER STRUCTURE EXCAVATION PROTECTION - LOCATION 2	EACH	1
UNDERWATER STRUCTURE EXCAVATION PROTECTION - LOCATION 3	EACH	1
UNDERWATER STRUCTURE EXCAVATION PROTECTION - LOCATION 4	EACH	1
BAR SPLICERS	EACH	24

* SEE SPECIAL PROVISIONS



GUARDRAIL ATTACHMENT TO THREE-SIDED BOX

See Roadway Plans for Pay Item "Attached Guard Rail"

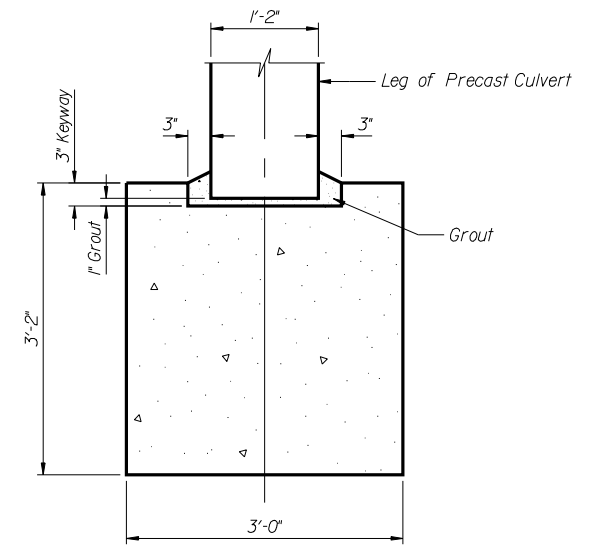


Drill 1/4" φ Holes in existing slab for 1" φ x 11" dowel bars. Traffic side only. Cost included with Temporary Concrete Barrier.

TEMPORARY CONCRETE BARRIER DETAIL

SECTIONS THRU SLAB

See Roadway Plans for Pay Item "Temporary Concrete Barrier."



CONNECTION DETAIL

Between Three-Sided Box leg and Strip Footing

* Cost of concrete footing and associated reinforcement and anchors shall be included in the unit cost for Steel Plate Beam Guard Rail, Attached To Structures.

** Drill holes in top of three-sided box to miss reinforcement.

REVISIONS	
NAME	DATE

ILLINOIS DEPARTMENT OF TRANSPORTATION
 QUANTITIES & MISC DETAILS
 ILLINOIS ROUTE 96 OVER
 BREWSTER CREEK
 FAP RTE 304 - SECT. 2(B-5,B-6)
 PIKE COUNTY
 STATION 404+21.51
 STRUCTURE NO. 075-2508

SCALE: N/A
 DATE: SEPT 2007

DRAWN BY: JLS
 CHECKED BY: DSP

PLOT DATE = Oct-09-2007 08:34:13AM
 FILE NAME = c:\projects\ad652484\yaboo_1\m\sn075-00391-050181_brewster_culvert_plans_09-26-2007.dgn
 PLOT SCALE = 0.0833 1/8 IN.
 USER NAME = laughlinr1