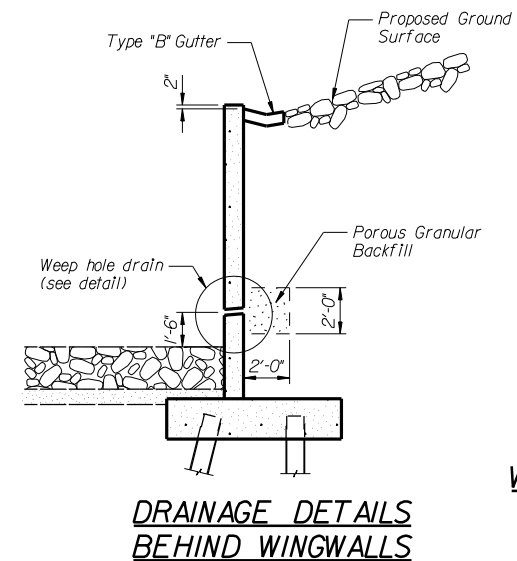
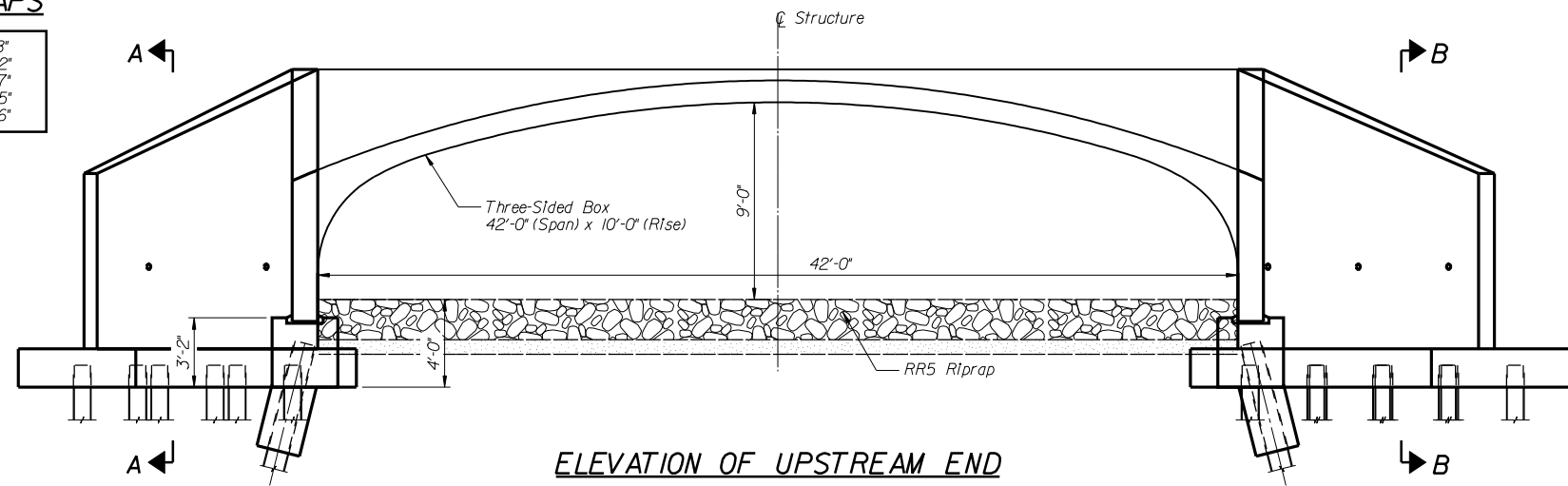


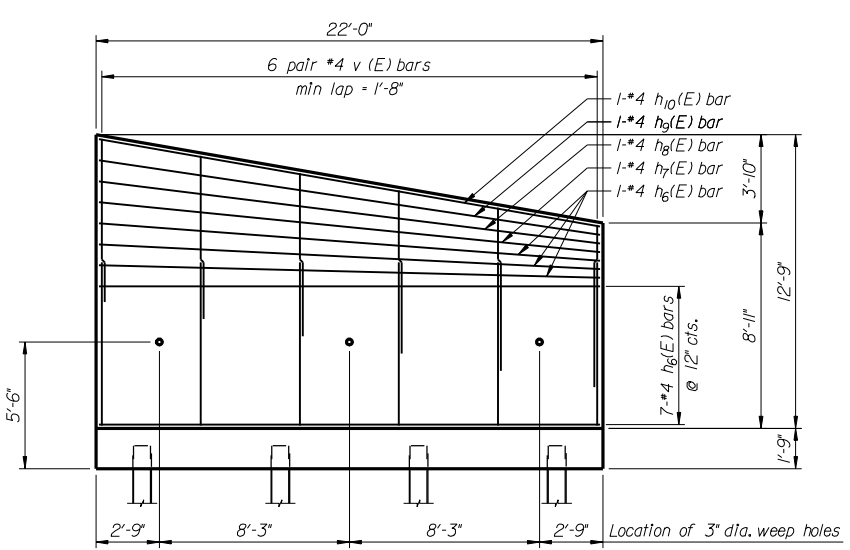
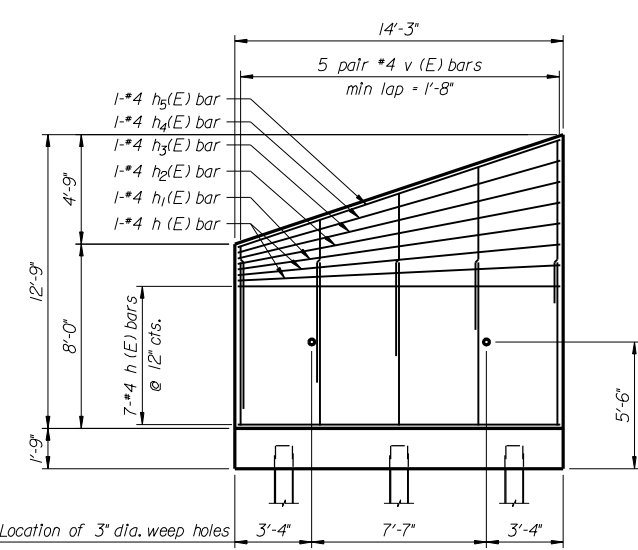
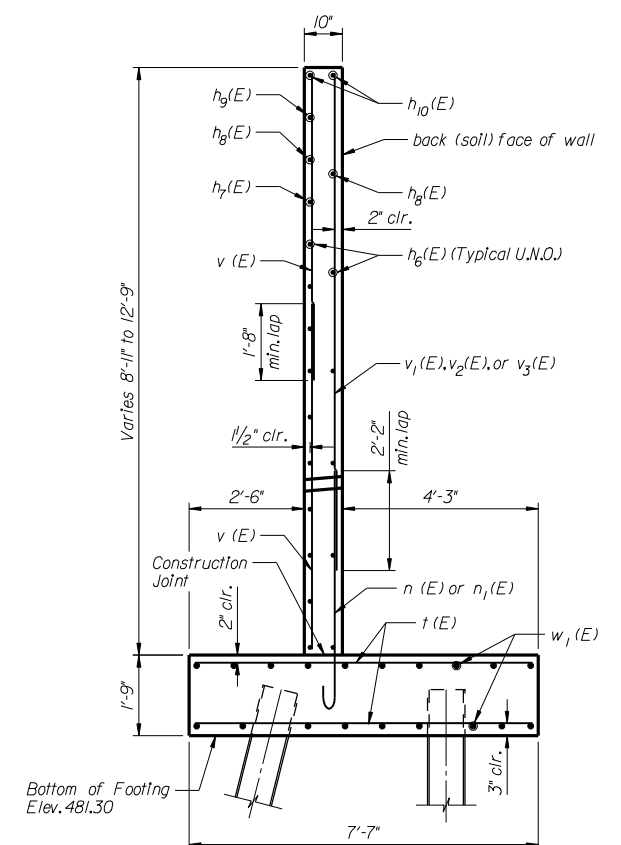
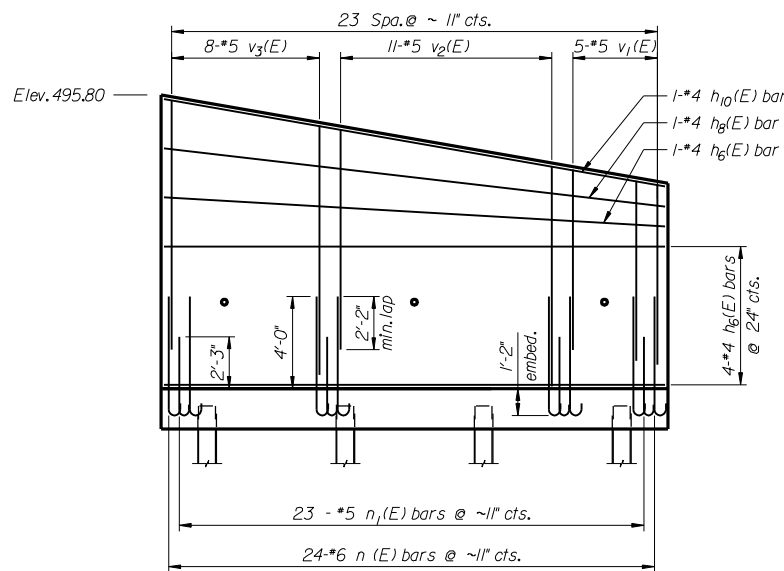
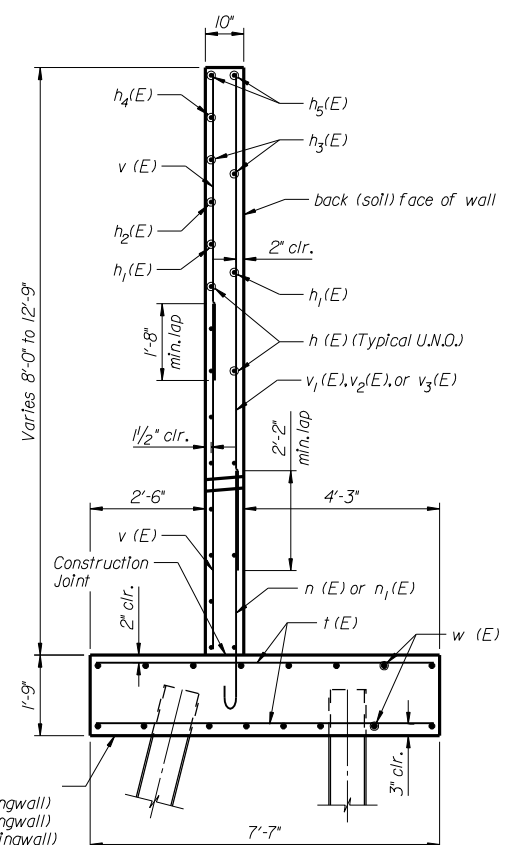
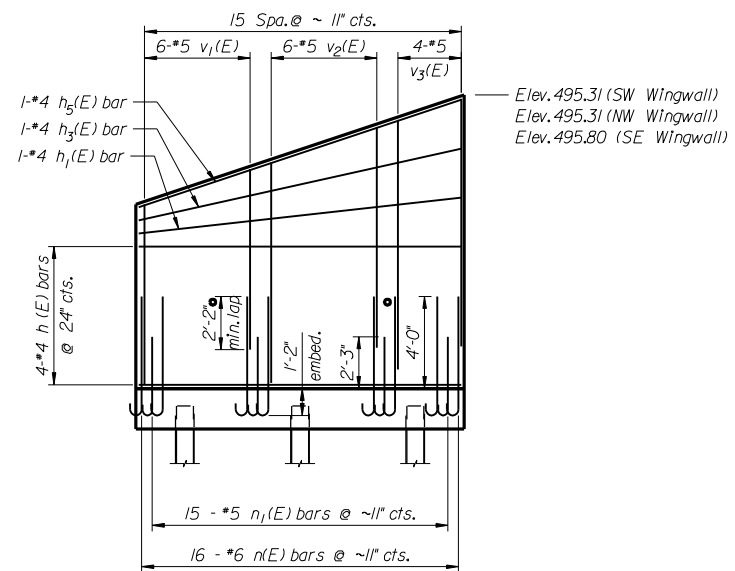
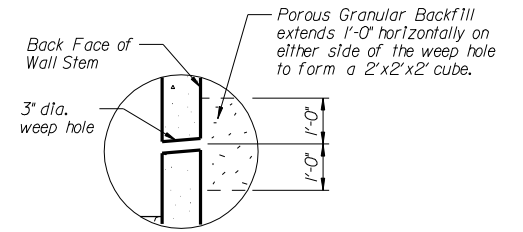
F.A.P. RTE.	SECTION	COUNTY	TOTAL SHEETS	SHEET NO.
304	2(B-5,B-6)	PIKE	112	56
STA.		TO STA.		
FED. ROAD DIST. NO. 6		ILLINOIS FED. AID PROJECT		

**MIN. BAR LAPS**

*4 (E)	1'-8"
*5 (E)	2'-2"
*6 (E)	2'-7"
*7 (E)	3'-5"
*8 (E)	4'-6"

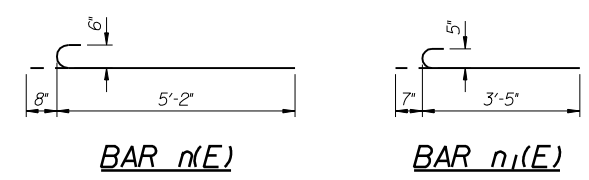


**WEEP HOLE DRAIN DETAIL**



Bottom of Footing  
Elev. 480.81 (SW Wingwall)  
Elev. 480.81 (NW Wingwall)  
Elev. 481.30 (SE Wingwall)

Bottom of Footing  
Elev. 481.30



Note  
U.N.D. = Unless Noted Otherwise

REVISIONS	
NAME	DATE

ILLINOIS DEPARTMENT OF TRANSPORTATION  
**WINGWALL DETAILS**  
 ILLINOIS ROUTE 96 OVER  
 BREWSTER CREEK  
 FAP RTE 304 - SECT. 2(B-5,B-6)  
 PIKE COUNTY  
 STATION 404+21.51  
 STRUCTURE NO. 075-2508

SCALE: N/A      DRAWN BY: JLS  
 DATE: SEPT 2007      CHECKED BY: DSP

PLOT DATE: 5-Sep-2007 02:42:22 PM  
 FILE NAME: c:\p\projects\075-0039\0508181 brewster\_culvert\_plans\_09-26-2007.dgn  
 PLOT SCALE: 0.08333 1/12 IN.  
 USER NAME: jbaughlinr1