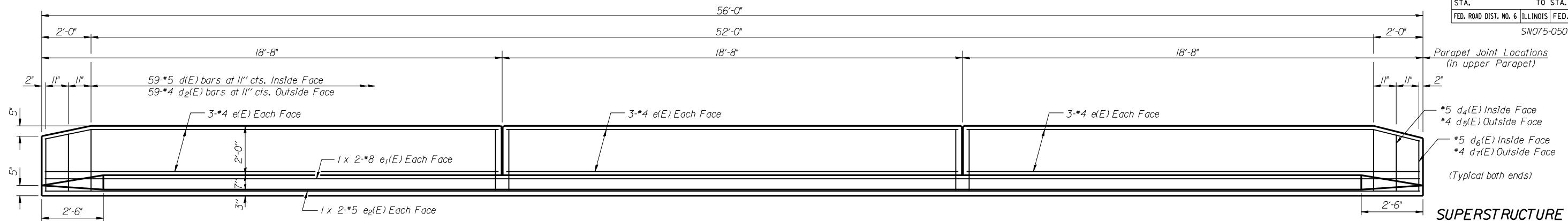


F.A.P. RTE.	SECTION	COUNTY	TOTAL SHEETS	SHEET NO.
304	2(B-5,B-6)	Pike	112	67
STA.		TO STA.		
FED. ROAD DIST. NO. 6		ILLINOIS FED. AID PROJECT		

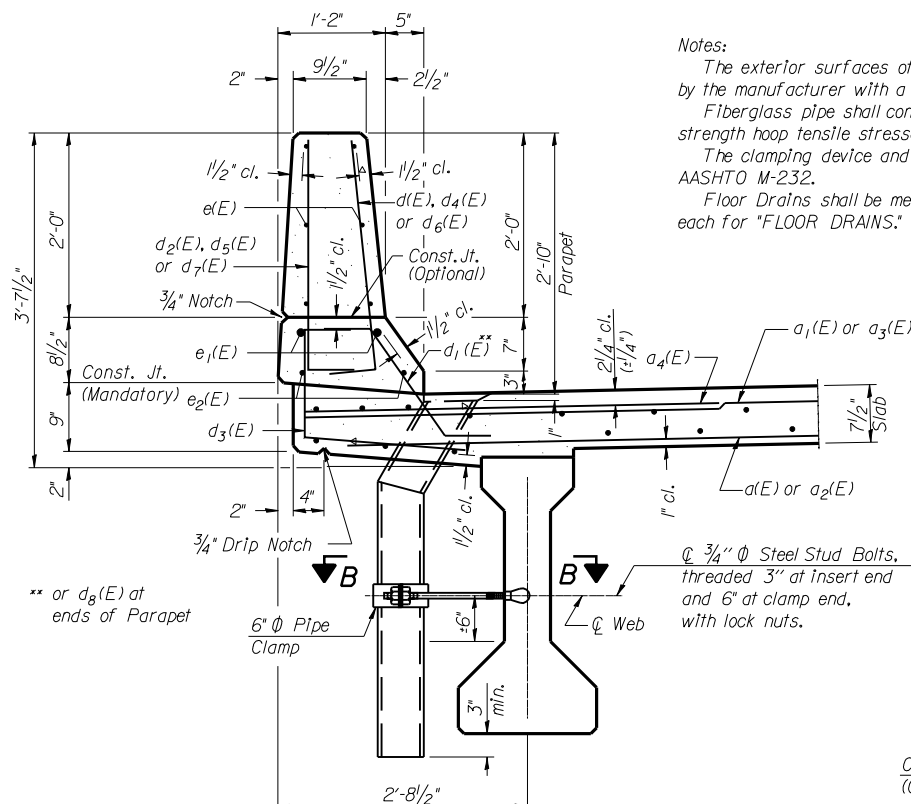


INSIDE ELEVATION OF PARAPET

**SUPERSTRUCTURE  
BILL OF MATERIAL**

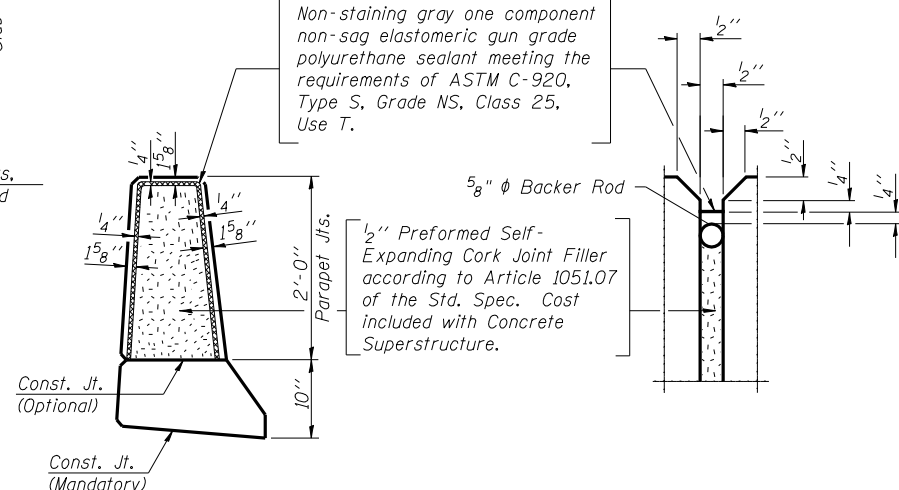
Bar	No.	Size	Length	Shape
a(E)	79	#5	17'-1"	—
a1(E)	112	#5	17'-6"	—
a2(E)	79	#5	20'-5"	—
a3(E)	112	#5	20'-10"	—
a4(E)	112	#6	4'-6"	—
b(E)	78	#5	20'-0"	—
b1(E)	78	#5	40'-0"	—
d(E)	118	#5	3'-0"	—
d1(E)	110	#5	2'-5"	—
d2(E)	118	#4	3'-0"	—
d3(E)	122	#4	3'-5"	—
d4(E)	4	#5	2'-10"	—
d5(E)	4	#4	2'-10"	—
d6(E)	4	#5	2'-8"	—
d7(E)	4	#4	2'-8"	—
d8(E)	12	#5	2'-10"	—
e(E)	36	#4	18'-4"	—
e1(E)	8	#8	30'-0"	—
e2(E)	8	#5	30'-0"	—
m(E)	2	#6	17'-0"	—
m1(E)	3	#6	17'-8"	—
m2(E)	10	#6	8'-10"	—
m3(E)	4	#6	5'-0"	—
m4(E)	2	#6	1'-8"	—
m5(E)	2	#6	20'-4"	—
m6(E)	3	#6	21'-1"	—
m7(E)	2	#6	5'-6"	—
m8(E)	1	#6	0'-7"	—
m9(E)	1	#6	4'-0"	—
s(E)	36	#5	5'-0"	—
s1(E)	36	#4	10'-2"	—
v(E)	38	#5	3'-0"	—
Reinforcement Bars, Epoxy Coated		Pound	16,820	
Floor Drains		Each	6	
Concrete Superstructure		Cu.Yd.	88.4	
Bridge Deck Grooving		Sq.Yd.	212	
Bar Splicers		Each	279	

Notes:  
 The exterior surfaces of the floor drains shall be coated or pigmented by the manufacturer with a color that matches the concrete.  
 Fiberglass pipe shall conform to ASTM D 2996, with short-time rupture strength hoop tensile stress of 30,000 p.s.i. minimum.  
 The clamping device and Inserts shall be galvanized according to AASHTO M-232.  
 Floor Drains shall be measured and paid for at the contract unit price each for "FLOOR DRAINS."



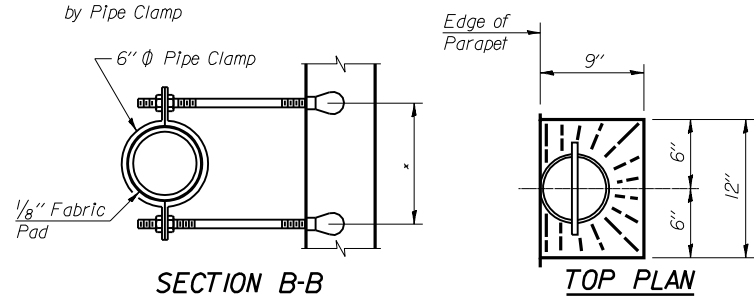
SECTION THRU PARAPET

Non-staining gray one component non-sag elastomeric gun grade polyurethane sealant meeting the requirements of ASTM C-920, Type S, Grade NS, Class 25, Use T.



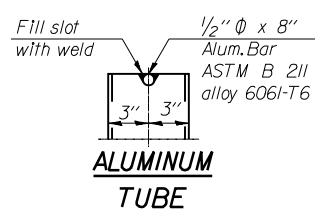
PARAPET JOINT DETAILS

\* Dimension as required by Pipe Clamp

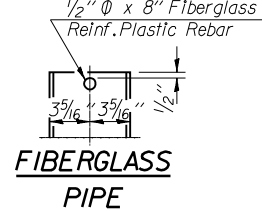


SECTION B-B

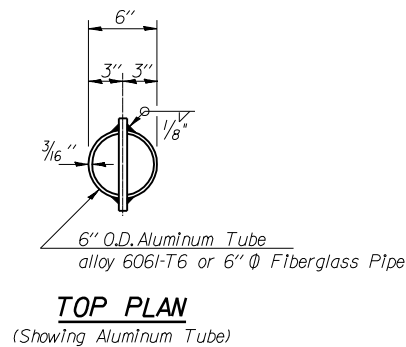
TOP PLAN



ALUMINUM TUBE

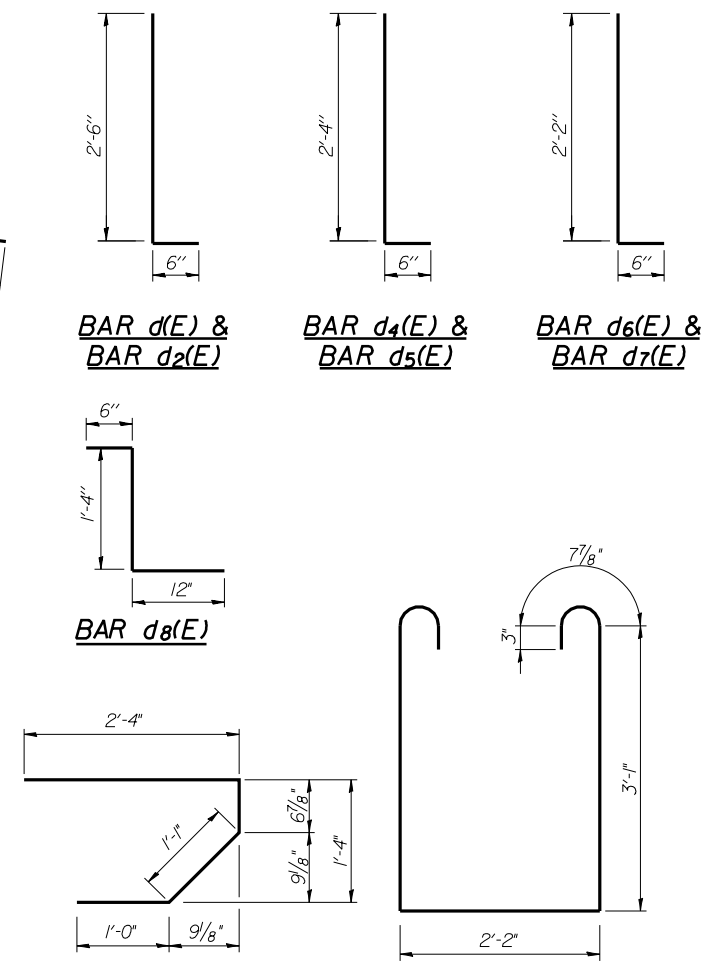


FIBERGLASS PIPE



TOP PLAN

(Showing Aluminum Tube)



Bar d1(E)

Bar d3(E)

Bar d(E) & d2(E)

Bar d4(E) & d5(E)

Bar d6(E) & d7(E)

Bar d8(E)

Bar s(E)

Bar s1(E)

Bar v(E)

Reinforcement bars designated (E) shall be epoxy coated. Bars indicated thus 1 x 2 #5 etc. indicates 1 line of bars with 2 lengths per line.

REVISIONS	
NAME	DATE

ILLINOIS DEPARTMENT OF TRANSPORTATION  
 SUPERSTRUCTURE DETAILS  
 ILLINOIS ROUTE 96 OVER  
 BROWN CREEK  
 PIKE COUNTY  
 FAP RTE 304 - SECTION 2(B-5,B-6)  
 STATION 456+34.50  
 STRUCTURE NO. 075-0509  
 SCALE: N/A  
 DATE: SEPT 2007  
 DRAWN BY: JLS  
 CHECKED BY: DSP